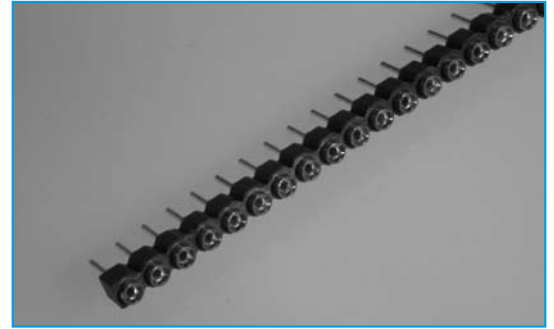


SOCKET STRIPS

- Available in 2 - 40 ways
- Breakable Strips
- 2.54mm Pitch

SINGLE - IN - LINE



SPECIFICATION

Mechanical Data

Insertion Force: 1.6N
Extraction Force: 0.9N
Contact Life: Min 100 Cycles
Solderability: Exceeds Mil - STD - 20² Method 208
Operating Temp: -65°C to +150°C

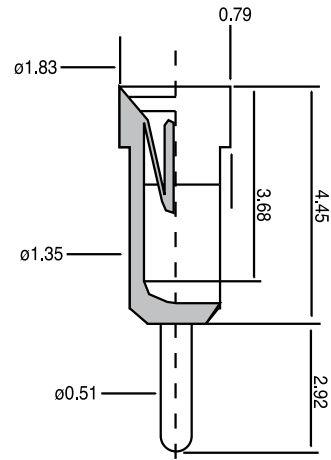
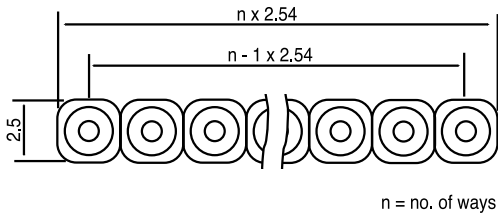
Electrical Data

Contact Resistance at IA: 4.3mΩ Typ
Current Rating: 3A Max

Material

Standard Insulator: Glass Filled Polyester
 UL94V-0

OUTLINE DRAWING



ORDERING INFORMATION

DBC	IC	40	SIL
Dubilier Connectors	IC Socket	No of Ways 02 = 02ways Thro to 40 = 40ways	Single in Line

SECTION 14