

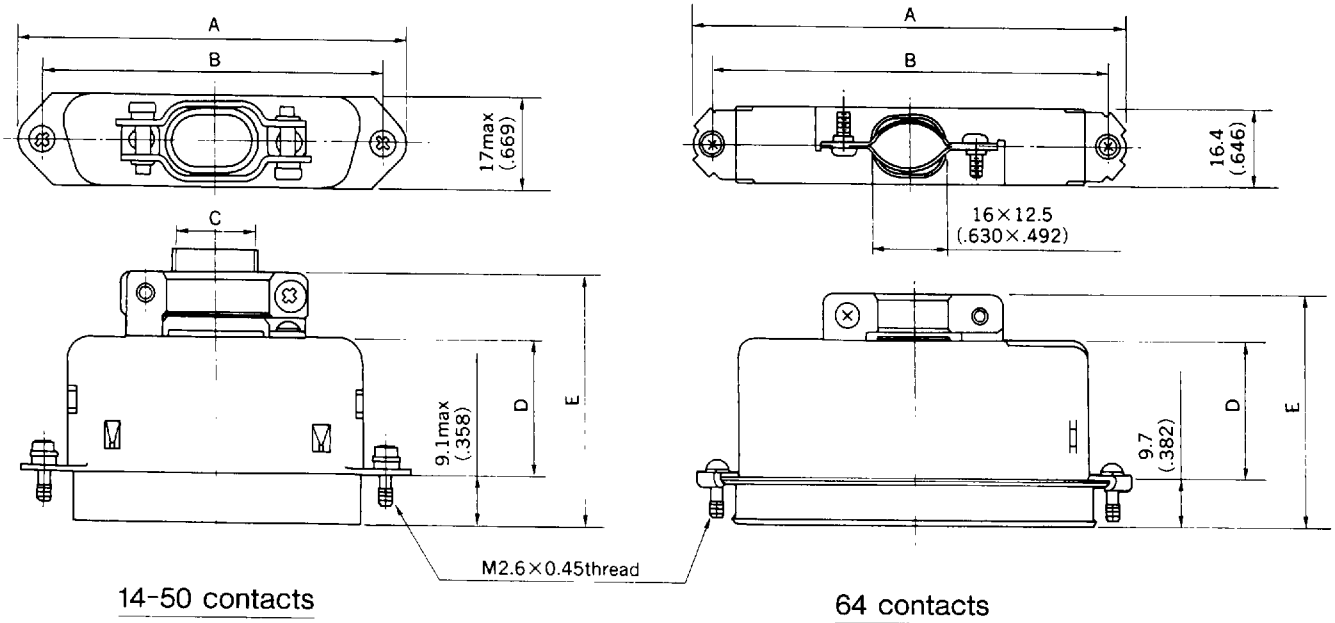
57 Series



Cable to Panel — Screw Lock Type

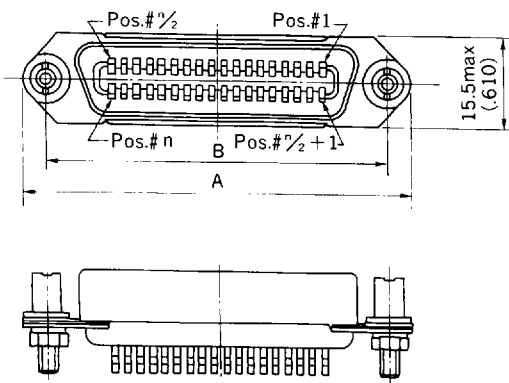
Unit:mm(inch)

● Plug



NO. OF CONT'S	Solder cup	High-barrier	A	B	C	D	E
14	57-3014×-D48	57-3014×R-D48	43.9 (1.728)	36.0 (1.417)	6.5×9.8 (.256×.386)	21.4 (.843)	41.4 (1.630)
24	57-3024×-D48	57-3024×R-D48	54.7 (2.154)	46.8 (1.843)	11.1×9.8 (.437×.386)	21.0 (.827)	41.0 (1.614)
36	57-3036×-D48	57-3036×R-D48	67.7 (2.665)	59.7 (2.350)	13.9×9.8 (.547×.386)	23.0 (.906)	43.0 (1.693)
50	57-3050×-D48	57-3050×R-D48	82.8 (3.260)	74.9 (2.949)	17×9.8 (.669×.386)	25.4 (1.000)	45.4 (1.787)
64	—	57-10640-D10	98.0 (3.858)	90.0 (3.543)	—	29.8 (1.173)	49.7 (1.957)

● Receptacles

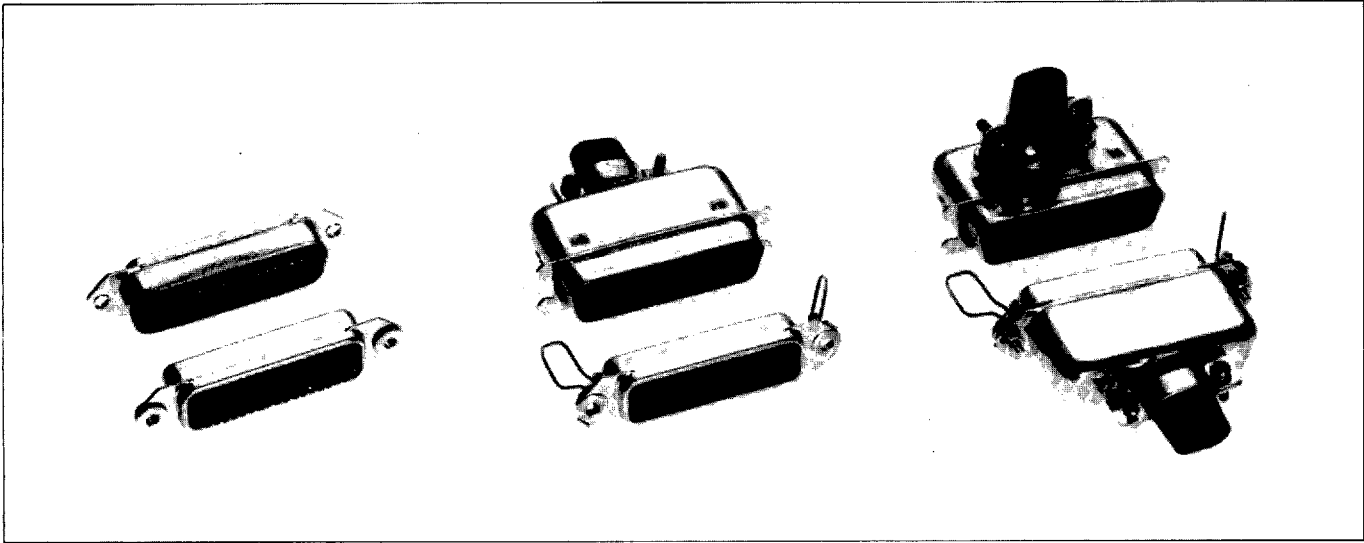


NO. OF CONT'S	Solder cup	High-barrier	Dip solder	A	B
14	57-2014×-D11	57-2014×R-D11	57-2014×-8D11	43.9 (1.728)	36.0 (1.417)
24	57-2024×-D11	57-2024×R-D11	57-2024×-8D11	54.7 (2.154)	46.8 (1.843)
36	57-2036×-D11	57-2036×R-D11	57-2036×-9D11	67.7 (2.665)	59.7 (2.350)
50	57-2050×-D11	57-2050×R-D11	57-2050×-31D11	82.8 (3.260)	74.9 (2.949)
64	—	57-20640-D11	—	98.0 (3.858)	90.0 (3.543)

57 Series



Basic version of ribbon connectors Solder type



FEATURES

- Stable connection by self-wiping and self-cleaning mechanism
- Available in various styles
- UL recognized (File No.E72124)
- Intermateable with 57 family connectors

SPECIFICATIONS

Rated voltage500V AC/700V DC
Rated current5A/contact
Dielectric withstanding ...1200V AC (r.m.s.)
 voltage 1 minute
Insulation resistance1000M Ω min.
 at 500V DC
Wire accommodationSolid : 22 AWG max.
 Stranded : 24 AWG max.

MATERIAL/FINISH

ContactCopper alloy/Gold plate
ShellBrass/Nickel plate
InsulatorDiallyl phthalate resin
 (UL94V-0)
Spring latchStainless steel

Ordering Information

57-10 36 0 R-xxx

CONNECTOR STYLE

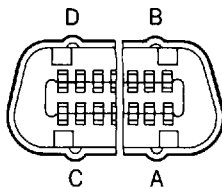
- 10 : Rack and Panel Plug
- 20 : Rack and Panel receptacle
- 30 : Cable plug,
top cable entry
- 40 : Panel receptacle with spring
latches
- 50 : Cable plug,
side cable entry
- 60 : Cable receptacle with
spring latches

NO. OF CONTACTS

- 14, 24, 36, 50
- 64 (high barrier only)

KEY POSITION

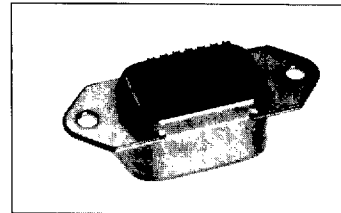
- 0 : No key
- 1 : "A" position
- 2 : "B" position
- 3 : "C" position
- 4 : "D" position



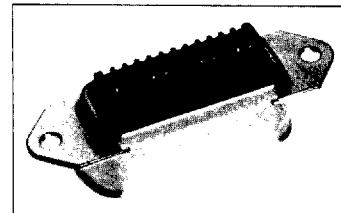
DEVIATION

HOUSING STYLE

- NO designation : Solder cup and dip solder type
64 contacts...high barrier
- R : High barrier type



Standard solder cup type



High barrier type