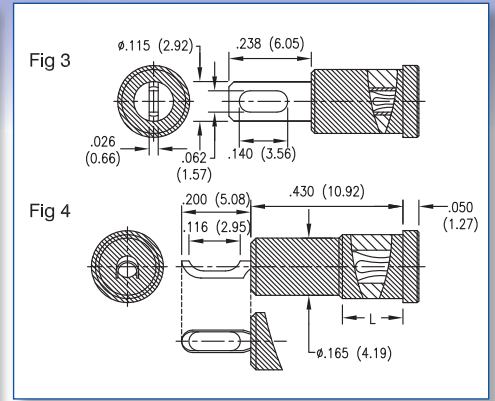
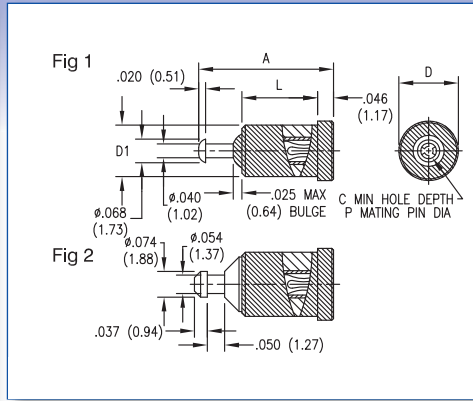


SINGLE POLE SOCKETS - INSULATED, PRESS MOUNT



How to order code
450 - XXXX - 01 - XX - XX
 Basic Part No. | Insulator Colour | Socket Finish

Dimensions in inches (mm)
 See page 91 for Mounting Instructions

Material Code Table		
Component	Material	RoHS
Insulator	PTFE	✓*
Socket Body	Brass	✓
Socket Spring	Beryllium Copper (Heat Treated)	✓

Finish Code Table			
Dash No.	Body Finish	Spring Finish	RoHS
-03	Gold over Nickel	Gold over Nickel	✓
-04	Electro-Tin	Electro-Tin	✓
-06	Electro-Tin	Gold over Nickel	✓

Insulation Colour Code Table	
Dash No.	Colour
-10	Black
-12	Red*
-19	White

Fig.	Basic Part No.	A	For Panel Thickness	C	D	D1	L	P	Flashover at Sea Level (Vrms)	Capacitance (pf)	Mtg. Hole Diameter
1	450-4352 -01	.390 (9.91)	.031 (0.79) to .094 (2.39)	.190 (4.83)	.172 (4.37)	.149 (3.78)	.219 (5.56)	.040 (1.02)	2500	.7	.136 (3.45)
	450-4353 -01	.390 (9.91)	.031 (0.79) to .094 (2.39)	.190 (4.83)	.219 (5.56)	.185 (4.70)	.219 (5.56)	.040 (1.02)	2500	.6	.172 (4.37)
2	450-5237 -01	.413 (10.49)	.031 (0.79) to .094 (2.39)	.214 (5.44)	.219 (5.56)	.185 (4.70)	.242 (6.15)	.050 (1.27)	2500	.7	.172 (4.37)
	450-3374 -01	.453 (11.51)	.031 (0.79) to .230 (5.84)	.340 (8.64)	.219 (5.56)	.185 (4.70)	.270 (6.86)	.080 (2.03)	1800	.7	.172 (4.37)
3	450-4354 -01	.688 (17.48)	.031 (0.79) to .125 (3.18)	.332 (8.43)	.250 (6.35)	.216 (5.49)	.400 (10.16)	.080 (2.03)	2000	1.2	.203 (5.16)
4	450-4355 -01	.680 (17.27)	.031 (0.79) to .125 (3.18)	.350 (8.89)	.219 (5.56)	.185 (4.70)	.175 (4.45)	.080 (2.03)	2000	1.0	.172 (4.37)

*Red PTFE is NOT RoHS compliant

