

Features

- 256K x 16-bit or 512K x 8-bit Organization
- Address Access Time: 70, 90, 120 ns
- Single 5V \pm 10% Power Supply
- Sector Erase Mode Operation
- 16KB Boot Block (lockable)
- 1K bytes per Sector, 512 Sectors
 - Sector-Erase Cycle Time: 10ms (Max)
 - Byte-Write Cycle Time: 20 μ s (Max)
- Minimum 10,000 Erase-Program Cycles
- Low power dissipation
 - Active Read Current: 19mA (Typ)
 - Active Program Current: 30mA (Typ)
 - Standby Current: 100 μ A (Max)
- Hardware Data Protection
- Low V_{CC} Program Inhibit Below 3.5V
- Self-timed write/erase operations with end-of-cycle detection
 - \overline{DATA} Polling
 - Toggle Bit
- CMOS and TTL Interface
- Available in two versions
 - V29C51400T (Top Boot Block)
 - V29C51400B (Bottom Boot Block)
- Packages:
 - 48-pin TSOP

Description

The V29C51400T/V29C51400B is a high speed 262,144 x 16 bit or 524,288 x 8-bit CMOS flash memory. Writing or erasing the device is done with a single 5 Volt power supply. The device has separate chip enable \overline{CE} , write enable \overline{WE} , and output enable \overline{OE} controls to eliminate bus contention.

The V29C51400T/V29C51400B offers a combination of: Boot Block with Sector Erase/Write Mode. The end of write/erase cycle is detected by \overline{DATA} Polling of I/O₇ or by the Toggle Bit I/O₆.

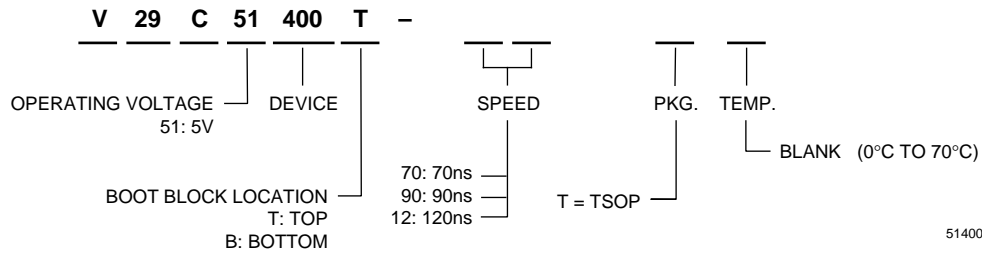
The V29C51400T/V29C51400B features a sector erase operation which allows each sector to be erased and reprogrammed without affecting data stored in other sectors. The device also supports full chip erase.

Boot block architecture enables the device to boot from a protected sector located either at the top (V29C51400T) or the bottom (V29C51400B). All inputs and outputs are CMOS and TTL compatible.

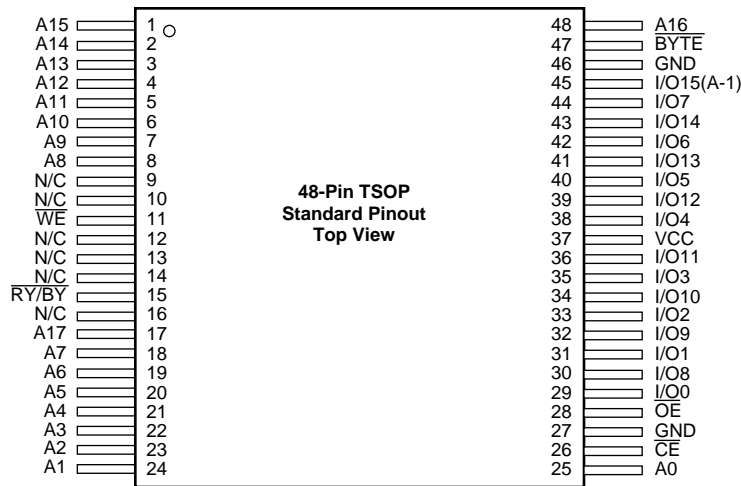
The V29C51400T/V29C51400B is ideal for applications that require updatable code and data storage.

Device Usage Chart

Operating Temperature Range	Package Outline	Access Time (ns)			Temperature Mark
	T	70	90	120	
0°C to 70 °C	•	•	•	•	Blank



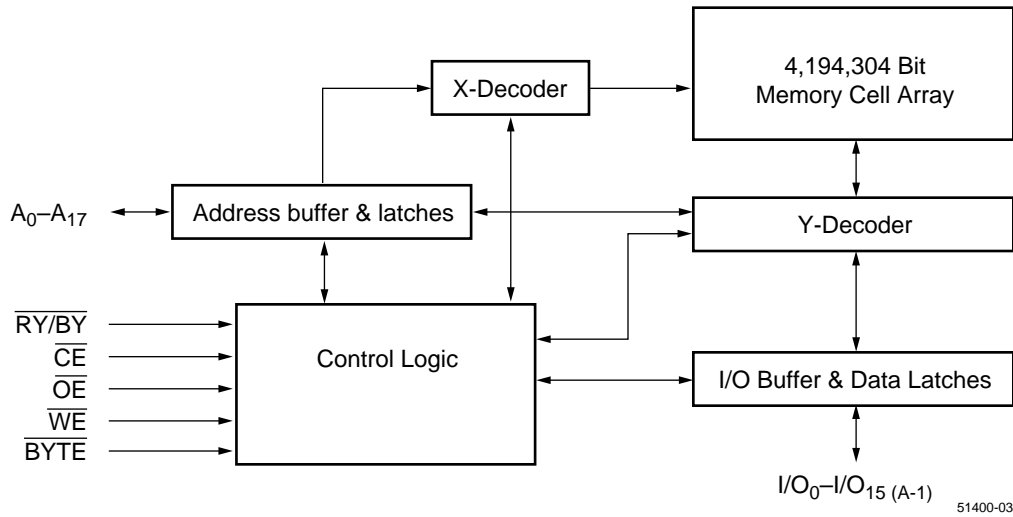
Pin Configurations



Pin Names

A ₀ -A ₁₇	Address Inputs
I/O ₀ -I/O ₁₄	Data Input/Output
I/O ₁₅ (A-1)	Data Input/Output, Word Mode (LSB Address Input, Byte Mode)
\overline{CE}	Chip Enable
\overline{OE}	Output Enable
\overline{WE}	Write Enable
V _{CC}	5V ± 10% Power Supply
GND	Ground
NC	No Connect
RY/BY	Ready/Busy Output
BYTE	Selects 8-Bit or 16-Bit mode

Functional Block Diagram



Capacitance (1,2)

Symbol	Parameter	Test Setup	Typ.	Max.	Units
C _{IN}	Input Capacitance	V _{IN} = 0	6	8	pF
C _{OUT}	Output Capacitance	V _{OUT} = 0	8	12	pF
C _{IN2}	Control Pin Capacitance	V _{IN} = 0	8	10	pF

NOTE:

1. Capacitance is sampled and not 100% tested.
2. T_A = 25°C, V_{CC} = 5V ± 10%, f = 1 MHz.

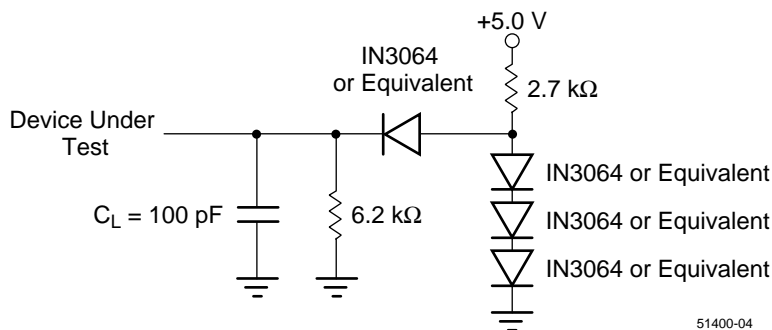
Latch Up Characteristics(1)

Parameter	Min.	Max.	Unit
Input Voltage with Respect to GND on A ₉ , \overline{OE}	-1	+13	V
Input Voltage with Respect to GND on I/O, address or control pins	-1	V _{CC} + 1	V
V _{CC} Current	-100	+100	mA

NOTE:

1. Includes all pins except V_{CC}. Test conditions: V_{CC} = 5V, one pin at a time.

AC Test Load



Absolute Maximum Ratings⁽¹⁾

Symbol	Parameter	Commercial	Unit
V_{IN}	Input Voltage (input or I/O pins)	-2 to +7	V
V_{IN}	Input Voltage (A_9 pin, \overline{OE})	-2 to +13	V
V_{CC}	Power Supply Voltage	-0.5 to +5.5	V
T_{STG}	Storage Temperature (Plastic)	-65 to +125	°C
T_{OPR}	Operating Temperature	0 to +70	°C
I_{OUT}	Short Circuit Current ⁽²⁾	200 (Max.)	mA

NOTE:

- Stress greater than those listed under "Absolute Maximum Ratings" may cause permanent damage to the device. This is a stress rating only and functional operation of the device at these or any other conditions above those indicated in the operational sections of this specification is not implied. Exposure to absolute maximum rating conditions for extended periods may affect reliability.
- No more than one output maybe shorted at a time and not exceeding one second long.

DC Electrical Characteristics

(over the commercial operating range)

Parameter Name	Parameter	Test Conditions	Min.	Max.	Unit
V_{IL}	Input LOW Voltage	$V_{CC} = V_{CC} \text{ Min.}$	—	0.8	V
V_{IH}	Input HIGH Voltage	$V_{CC} = V_{CC} \text{ Max.}$	2	—	V
I_{IL}	Input Leakage Current	$V_{IN} = \text{GND to } V_{CC}, V_{CC} = V_{CC} \text{ Max.}$	—	± 1	μA
I_{OL}	Output Leakage Current	$V_{OUT} = \text{GND to } V_{CC}, V_{CC} = V_{CC} \text{ Max.}$	—	± 1	μA
V_{OL}	Output LOW Voltage	$V_{CC} = V_{CC} \text{ Min.}, I_{OL} = 2.1 \text{ mA}$	—	0.4	V
V_{OH}	Output HIGH Voltage	$V_{CC} = V_{CC} \text{ Min.}, I_{OH} = -400 \mu\text{A}$	2.4	—	V
I_{CC1}	Read Current	$\overline{CE} = \overline{OE} = V_{IL}, \overline{WE} = V_{IH},$ all I/Os open, Address input = V_{IL}/V_{IH} , at $f = 1/t_{RC} \text{ Min.},$ $V_{CC} = V_{CC} \text{ Max.}$	—	40	mA
I_{CC2}	Write Current	$\overline{CE} = \overline{WE} = V_{IL}, \overline{OE} = V_{IH}, V_{CC} = V_{CC} \text{ Max.}$	—	50	mA
I_{SB}	TTL Standby Current	$\overline{CE} = \overline{OE} = \overline{WE} = V_{IH}, V_{CC} = V_{CC} \text{ Max.}$	—	2	mA
I_{SB1}	CMOS Standby Current	$\overline{CE} = \overline{OE} = \overline{WE} = V_{CC} - 0.3 \text{ V}, V_{CC} = V_{CC} \text{ Max.}$	—	100	μA
V_H	Device ID Voltage for A_9	$\overline{CE} = \overline{OE} = V_{IL}, \overline{WE} = V_{IH}$	11.5	12.5	V
I_H	Device ID Current for A_9	$\overline{CE} = \overline{OE} = V_{IL}, \overline{WE} = V_{IH}, A_9 = V_H \text{ Max.}$	—	50	μA

AC Electrical Characteristics

(over all temperature ranges)

Read Cycle

Parameter Name	Parameter	-70		-90		-12		Unit
		Min.	Max.	Min.	Max.	Min.	Max.	
t _{RC}	Read Cycle Time	70	—	90	—	120	—	ns
t _{AA}	Address Access Time	—	70	—	90	—	120	ns
t _{ACS}	Chip Enable Access Time	—	70	—	90	—	120	ns
t _{OE}	Output Enable Access Time	—	35	—	45	—	60	ns
t _{CLZ}	$\overline{\text{CE}}$ Low to Output Active	0	—	0	—	0	—	ns
t _{OLZ}	$\overline{\text{OE}}$ Low to Output Active	0	—	0	—	0	—	ns
t _{DF}	$\overline{\text{OE}}$ or $\overline{\text{CE}}$ High to Output in High Z	0	20	0	20	0	30	ns
t _{OH}	Output Hold from Address Change	0	—	0	—	0	—	ns

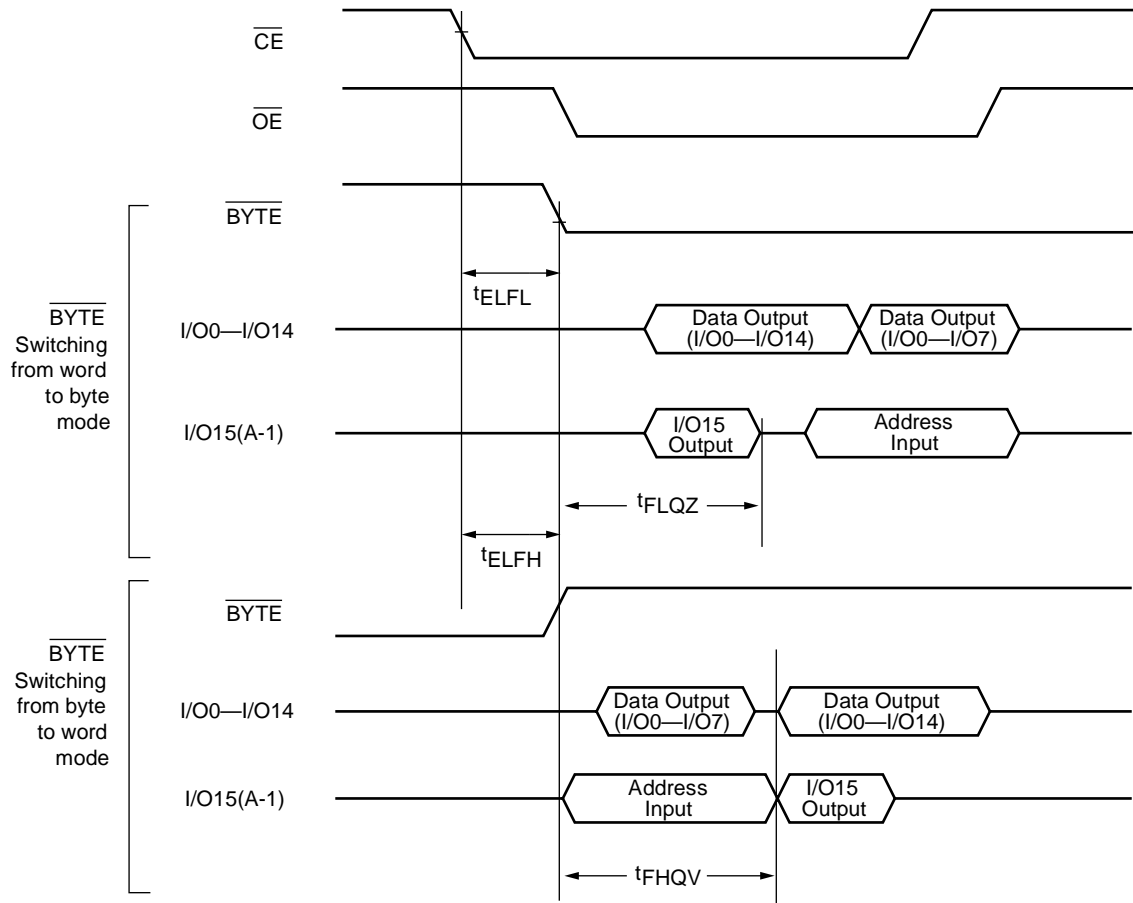
Program (Erase/Program) Cycle

Parameter Name	Parameter	-70			-90			-12			Unit
		Min.	Typ.	Max.	Min.	Typ.	Max.	Min.	Typ.	Max.	
t _{WC}	Write Cycle Time	70	—	—	90	—	—	120	—	—	ns
t _{AS}	Address Setup Time	0	—	—	0	—	—	0	—	—	ns
t _{AH}	Address Hold Time	45	—	—	45	—	—	50	—	—	ns
t _{CS}	$\overline{\text{CE}}$ Setup Time	0	—	—	0	—	—	0	—	—	ns
t _{CH}	$\overline{\text{CE}}$ Hold Time	0	—	—	0	—	—	0	—	—	ns
t _{OES}	$\overline{\text{OE}}$ Setup Time	0	—	—	0	—	—	0	—	—	ns
t _{OEH}	$\overline{\text{OE}}$ High Hold Time	0	—	—	0	—	—	0	—	—	ns
t _{WP}	$\overline{\text{WE}}$ Pulse Width	35	—	—	45	—	—	50	—	—	ns
t _{WPH}	$\overline{\text{WE}}$ Pulse Width High	20	—	—	30	—	—	35	—	—	ns
t _{DS}	Data Setup Time	30	—	—	30	—	—	30	—	—	ns
t _{DH}	Data Hold Time	0	—	—	0	—	—	0	—	—	ns
t _{WHWH1}	Programming Cycle	—	—	20	—	—	20	—	—	20	μs
t _{WHWH2}	Sector Erase Cycle	—	—	10	—	—	10	—	—	10	ms
t _{WHWH3}	Chip Erase Cycle	—	2	—	—	2	—	—	2	—	sec

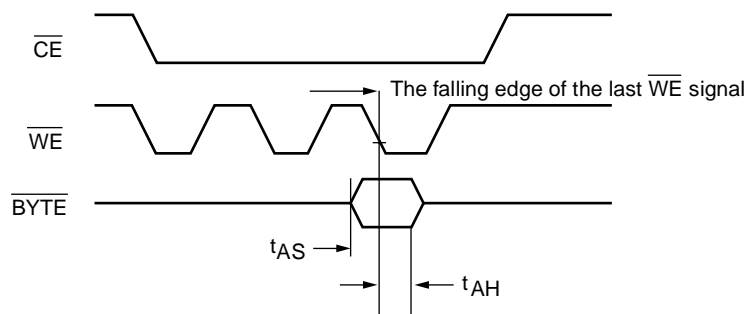
Word/Byte Configuration

Parameter Name	Parameter	-70			-90			-12			Unit
		Min.	Typ.	Max.	Min.	Typ.	Max.	Min.	Typ.	Max.	
t _{ELFL} /t _{ELFH}	$\overline{\text{CE}}$ to $\overline{\text{BYTE}}$ Switching Low/High	—	—	5	—	—	5	—	—	5	ns
t _{FLQZ}	$\overline{\text{BYTE}}$ Low to Output in HIGH	—	—	20	—	—	20	—	—	30	ns
t _{FHQV}	$\overline{\text{BYTE}}$ High to Output Active	70	—	—	90	—	—	120	—	—	ns

BYTE Timings for Read Operations

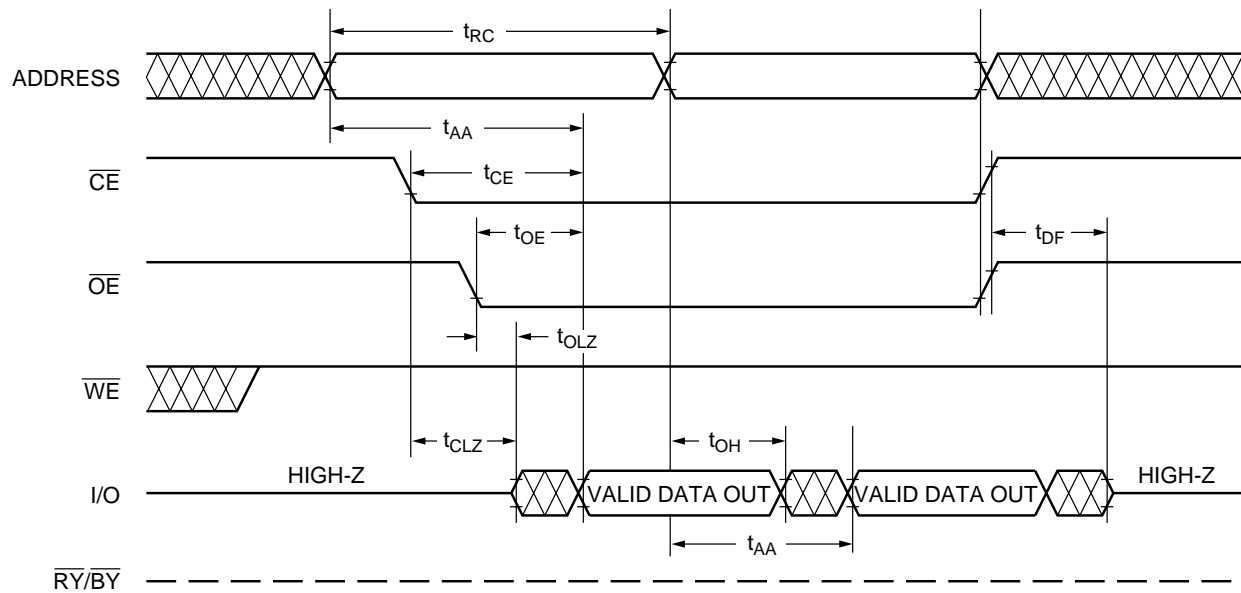


BYTE Timings for Write Operations



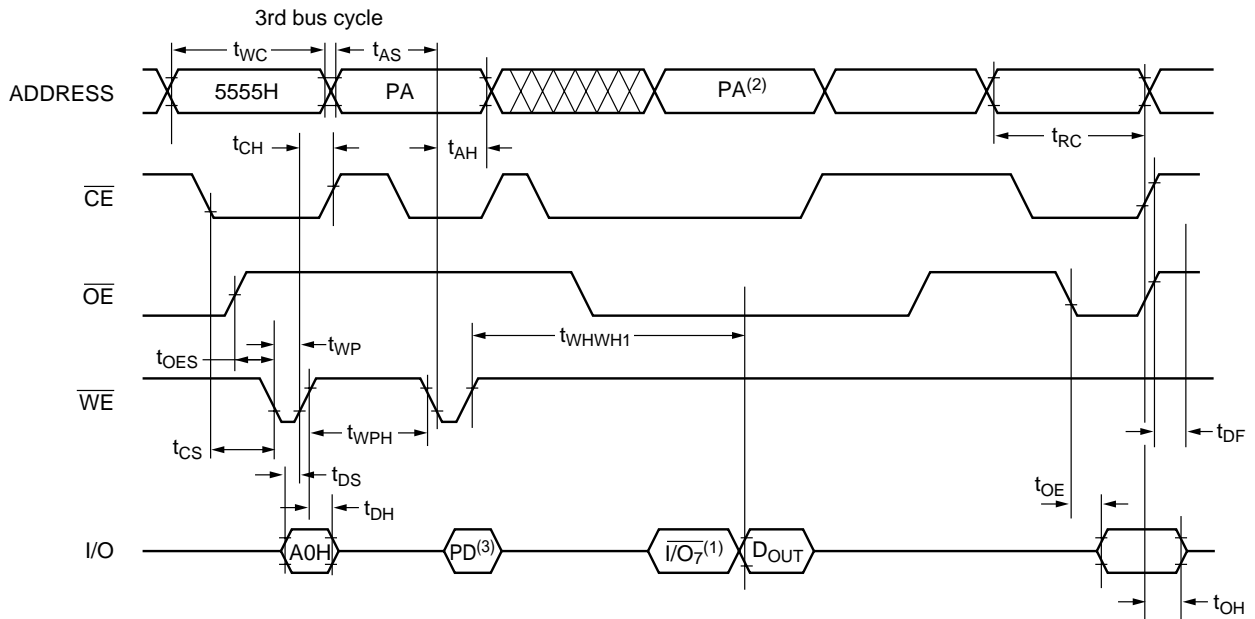
Note:
Refer to the Erase/Program Operations table for t_{AS} and t_{AH} specifications.

Waveforms of Read Cycle



51400-05

Waveforms of \overline{WE} Controlled-Program Cycle

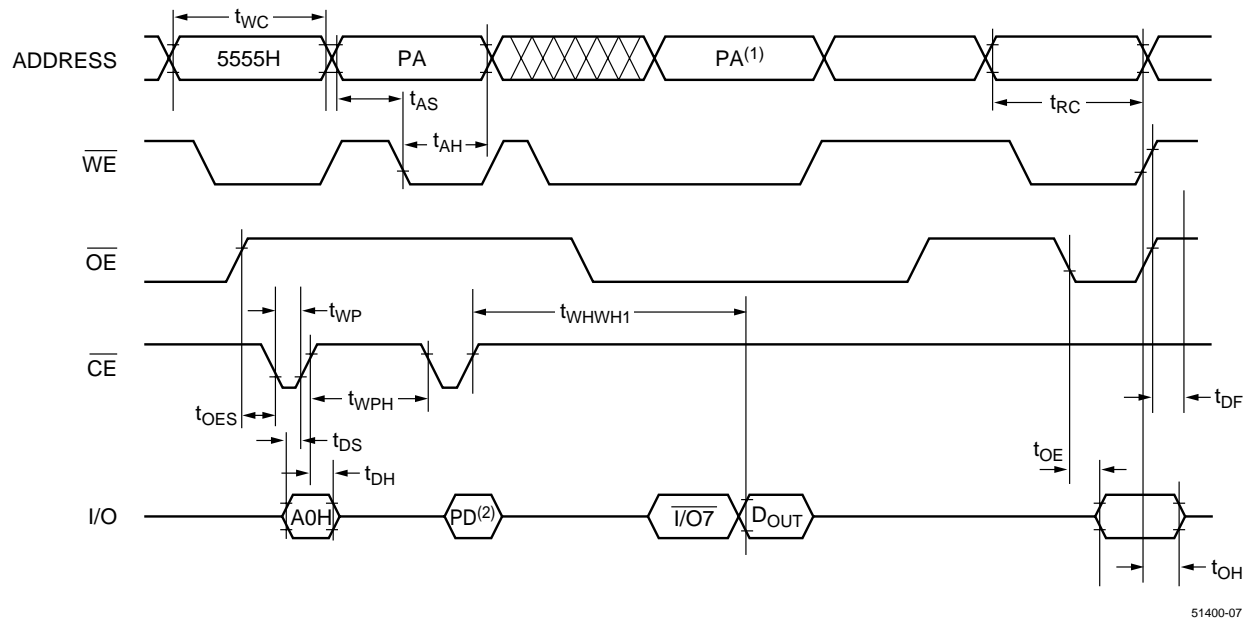


51400-06

NOTES:

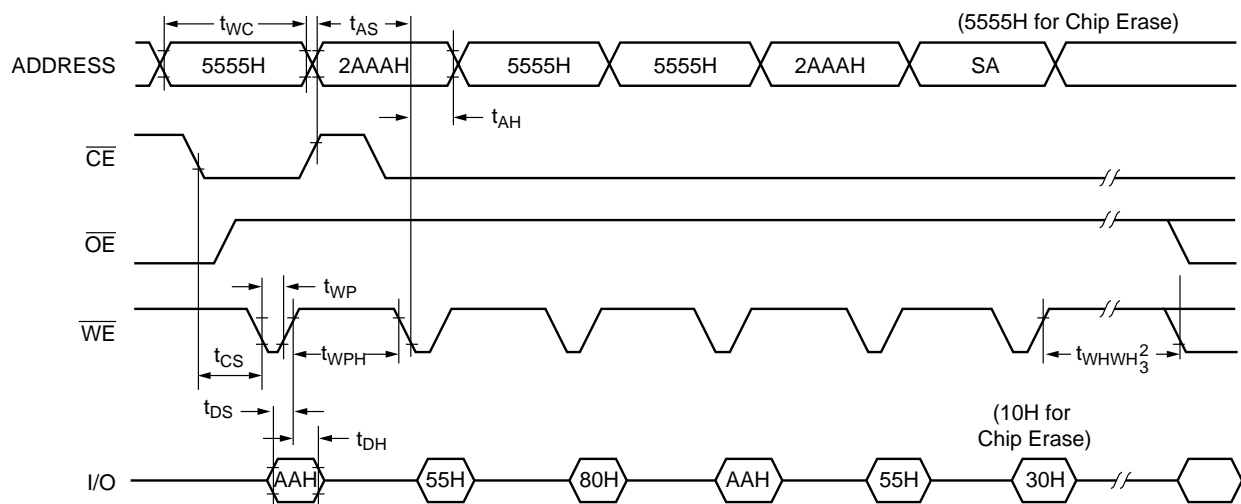
1. I/O_7 : The output is the complement of the data written to the device.
2. PA: The address of the memory location to be programmed.
3. PD: The data at the byte address to be programmed.

Waveforms of CE Controlled-Program Cycle



51400-07

Waveforms of Erase Cycle⁽¹⁾

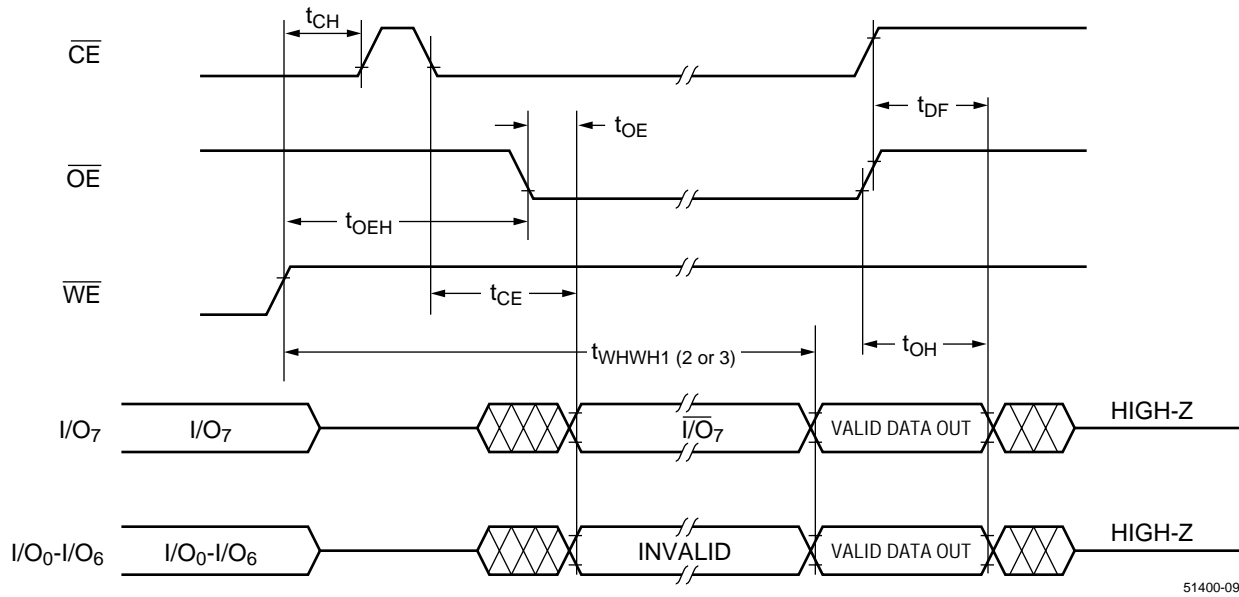


51400-08

NOTES:

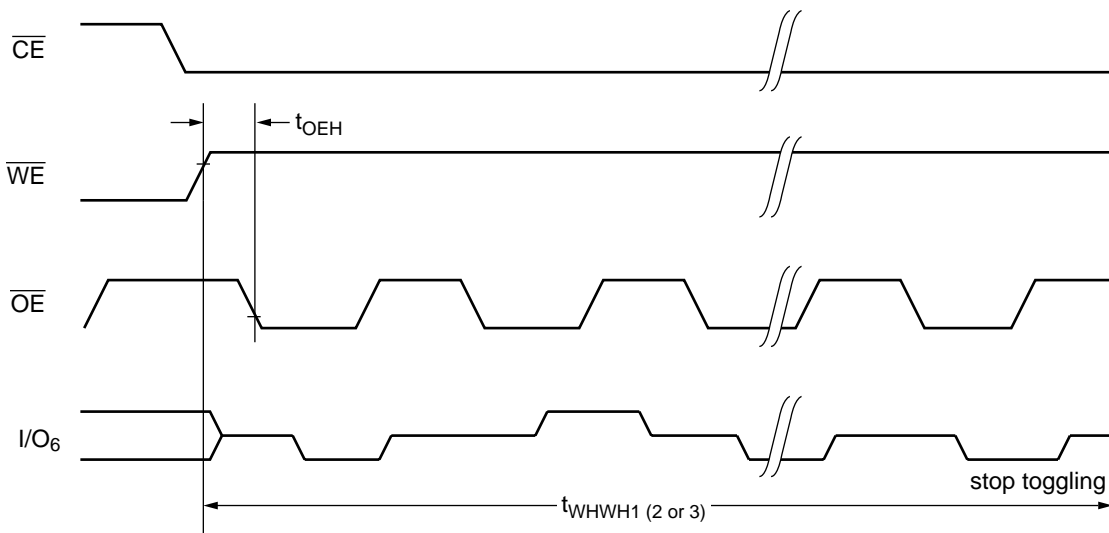
1. PA: The address of the memory location to be programmed.
2. PD: The data at the byte address to be programmed.
3. SA: The sector address for Sector Erase.

Waveforms of DATA Polling Cycle

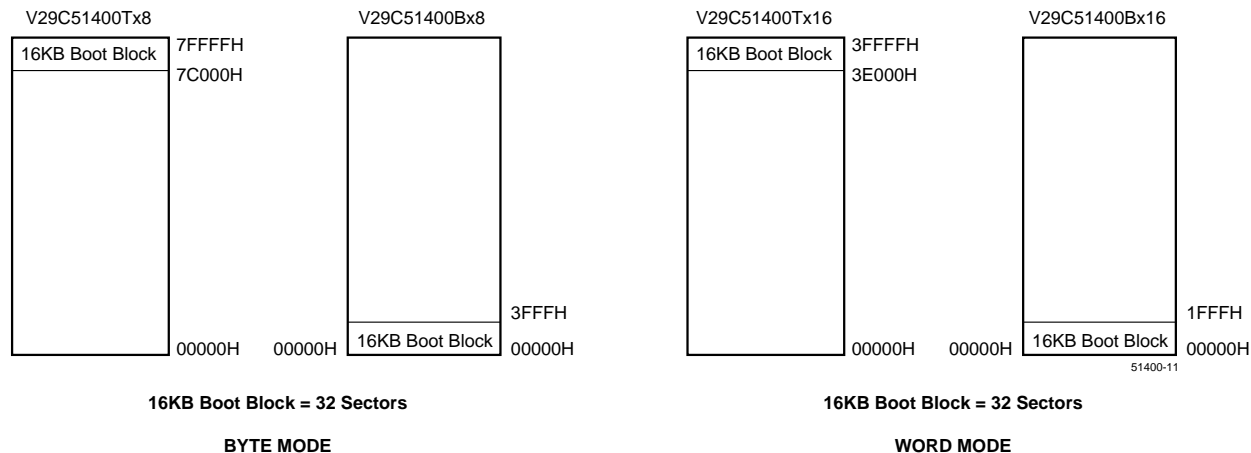


51400-09

Waveforms of Toggle Bit Cycle



51400-10



World/Byte Configuration

The $\overline{\text{BYTE}}$ pin controls whether the device data I/O pins I/O0-I/O15 operate in the byte or word configuration. If the $\overline{\text{BYTE}}$ pin is set at logic '1', the device is in word configuration, I/O0-I/O15 are active and controlled by $\overline{\text{CE}}$ and $\overline{\text{OE}}$.

If $\overline{\text{BYTE}}$ pin is set at logic '0', the device is in byte configuration, and only data I/O pins I/O0-I/O7 are active and controlled by $\overline{\text{CE}}$ and $\overline{\text{OE}}$. The data I/O pins I/O8-I/O14 are tri-stated, and the I/O15 pin is used as an input for the LSB (A-1) address function.

Functional Description

The V29C51400T/V29C51400B consists of 512 equally-sized sectors of 512 bytes each. The 16 KB lockable Boot Block is intended for storage of the system BIOS boot code. The boot code is the first piece of code executed each time the system is powered on or rebooted.

The V29C51400 is available in two versions: the V29C51400T with the Boot Block address starting from 7C000H to 7FFFFH, and the V29C51400B with the Boot Block address starting from 00000H to 3FFFH.

Read Cycle

A read cycle is performed by holding both $\overline{\text{CE}}$ and $\overline{\text{OE}}$ signals LOW. Data Out becomes valid only when these conditions are met. During a read cycle $\overline{\text{WE}}$ must be HIGH prior to $\overline{\text{CE}}$ and $\overline{\text{OE}}$ going LOW. $\overline{\text{WE}}$ must remain HIGH during the read operation for the read to complete (see Table 1).

Output Disable

Returning $\overline{\text{OE}}$ or $\overline{\text{CE}}$ HIGH, whichever occurs first will terminate the read operation and place the I/O pins in the HIGH-Z state.

Standby

The device will enter standby mode when the $\overline{\text{CE}}$ signal is HIGH. The I/O pins are placed in the HIGH-Z, independent of the $\overline{\text{OE}}$ input state.

Command Sequence

The V29C51400T/V29C51400B does not provide the "reset" feature to return the chip to its normal state when an incomplete command sequence or an interruption has happened. In this case, normal operation (Read Mode) can be restored by issuing a "non-existent" command sequence, for example Address: 5555H, Data FFH.

Byte Write Cycle

The V29C51400T/V29C51400B is programmed on a byte-by-byte basis. The byte write operation is initiated by using a specific four-bus-cycle sequence: two unlock program cycles, a program setup command and program data program cycles (see Table 2).

During the byte write cycle, addresses are latched on the falling edge of either $\overline{\text{CE}}$ or $\overline{\text{WE}}$, whichever is last. Data is latched on the rising edge of $\overline{\text{CE}}$ or $\overline{\text{WE}}$, whichever is first. The byte write cycle can be $\overline{\text{CE}}$ controlled or $\overline{\text{WE}}$ controlled.

Sector Erase Cycle

The V29C51400T/V29C51400B features a sector erase operation which allows each sector to be erased and reprogrammed without affecting data stored in other sectors. Sector erase operation is initiated by using a specific six-bus-cycle sequence: Two unlock program cycles, a setup command, two additional unlock program cycles, and the sector

erase command (see Table 2). A sector must be first erased before it can be re-written. While in the internal erase mode, the device ignores any program attempt into the device. The internal erase completion can be determined via DATA polling or toggle bit status.

The V29C51400T/V29C51400B is shipped fully erased (all bits = 1).

Table 1. Operation Modes Decoding

Decoding Mode	\overline{CE}	\overline{OE}	\overline{WE}	A ₀	A ₁	A ₉	I/O
Read	V _{IL}	V _{IL}	V _{IH}	A ₀	A ₁	A ₉	READ
Byte Write	V _{IL}	V _{IH}	V _{IL}	A ₀	A ₁	A ₉	PD
Standby	V _{IH}	X	X	X	X	X	HIGH-Z
Autoselect Device ID	V _{IL}	V _{IL}	V _{IH}	V _{IH}	V _{IL}	V _H	CODE
Autoselect Manufacture ID	V _{IL}	V _{IL}	V _{IH}	V _{IL}	V _{IL}	V _H	CODE
Enabling Boot Block Protection Lock	V _{IL}	V _H	V _{IL}	X	X	V _H	X
Disabling Boot Block Protection Lock	V _H	V _H	V _{IL}	X	X	V _H	X
Output Disable	V _{IL}	V _{IH}	V _{IH}	X	X	X	HIGH-Z

NOTES:

1. X = Don't Care, V_{IH} = HIGH, V_{IL} = LOW, V_H = 12.5V Max.
2. PD: The data at the byte address to be programmed.

Table 2. Command Codes

Command Sequence	Bus Write Cycles Req'd	First Bus Program Cycle		Second Bus Program Cycle		Third Bus Program Cycle		Fourth Bus Program Cycle		Fifth Bus Program Cycle		Six Bus Program Cycle		
		Address	Data	Address	Data	Address	Data	Address	Data	Address	Data	Address	Data	
Reset/Read	1	XXXXH	F0H											
Reset/Read	Word	3	5555H	AAH	2AAAH	55H	5555H	F0H	RA	RD				
	Byte		AAAAH		5555H		AAAAH							
Autoselect Mode	Word	3	5555H	AAH	2AAAH	55H	5555H	90H	01H	13H, B3H (B Device ID)				
	Byte		AAAAH		5555H		AAAAH			13H, B3H (B Device ID)				
	Word/Byte								00H	40H (Manuf. ID)				
Program	Word	4	5555H	AAH	2AAAH	55H	5555H	A0H	PA	PD(4)				
	Byte		AAAAH		5555H		AAAAH							
Chip Erase	Word	0	5555H	AAH	2AAAH	55H	5555H	80H	5555H	AAH	2AAAH	55H	5555H	10H
	Byte		AAAAH		5555H		AAAAH		AAAAH		5555H		AAAAH	
Sector Erase	Word	6	5555H	AAH	2AAAH	55H	5555H	80H	5555H	AAH	2AAAH	55H	SA	30H
	Byte		AAAAH		5555H		AAAAH		AAAAH		5555H			

NOTES:

1. RA: Read Address
2. RD: Read Data
3. PA: The address of the memory location to be programmed.
4. PD: The data at the byte address to be programmed.
5. SA(5): Sector Address

Chip Erase Cycle

The V29C51400T/V29C51400B features a chip-erase operation. The chip erase operation is initiated by using a specific six-bus-cycle sequence: two unlock program cycles, a setup

command, two additional unlock program cycles, and the chip erase command (see Table 2).

The automatic erase begins on the rising edge of the last \overline{WE} or \overline{CE} pulse in the command sequence and terminates when the data on DQ7 is "1".

Program Cycle Status Detection

There are two methods for determining the state of the V29C51400T/V29C51400B during a program (erase/write) cycle: \overline{DATA} Polling (I/O₇) and Toggle Bit (I/O₆).

\overline{DATA} Polling (I/O₇)

The V29C51400T/V29C51400B features \overline{DATA} polling to indicate the end of a program cycle. When the device is in the program cycle, any attempt to read the device will receive the complement of the loaded data on I/O₇. Once the program cycle is completed, I/O₇ will show true data, and the device is then ready for the next cycle.

Toggle Bit (I/O₆)

The V29C51400T/V29C51400B also features another method for determining the end of a program cycle. When the device is in the program cycle, any attempt to read the device will result in I/O₆ toggling between 1 and 0. Once the program is completed, the toggling will stop. The device is then ready for the next operation. Examining the toggle bit may begin at any time during a program cycle.

Boot Block Protection Enabling/Disabling

The V29C51400T/V29C51400B features hardware Boot Block Protection. The boot block sector protection is enabled when high voltage (12.5V) is applied to \overline{OE} and A9 pins with \overline{CE} pin LOW and \overline{WE} pin LOW. The sector protection is disabled when high voltage is applied to \overline{OE} , \overline{CE} and A9 pins with \overline{WE} pin LOW. Other pins can be HIGH or LOW. This is shown in table 1.

Autoselect Mode

The V29C51400T/V29C51400B features an Autoselect mode to identify boot block locking

status, device ID and manufacturer ID.

Entering Autoselect mode is accomplished by applying a high voltage (VH) to the A9 Pin, or through a sequence of commands (as shown in table 2). Device will exit this mode once high voltage on A9 is removed or another command is loaded into the device.

Boot Block Protection Status

In Autoselect mode, performing a read at address location 7BXX2H (V29C51400T) or 0CXX2H (V29C51400B) will indicate boot block protection status. If the data is 01H, the boot block is protected. If the data is 00H, the boot block is unprotected. This is also shown in table 3.

Device ID

In Autoselect mode, performing a read at address XXX1H will determine whether the device is a Top Boot Block device or a Bottom Boot Block device. If the data is 13H, the device is a Top Boot Block. If the data is B3H, the device is a Bottom Boot Block device (see Table 3).

Manufacturer ID

In Autoselect mode, performing a read at address XXXX0H will determine the manufacturer ID. 40H is the manufacturer code for Mosel Vitelic Flash.

Hardware Data Protection

V_{CC} Detection: the program operation is inhibited when VCC is less than 3.5V.

Noise Protection: a CE or WE pulse of less than 5ns will not initiate a program cycle.

Program Inhibit: holding any one of \overline{OE} LOW, \overline{CE} HIGH or \overline{WE} HIGH inhibits a program cycle.

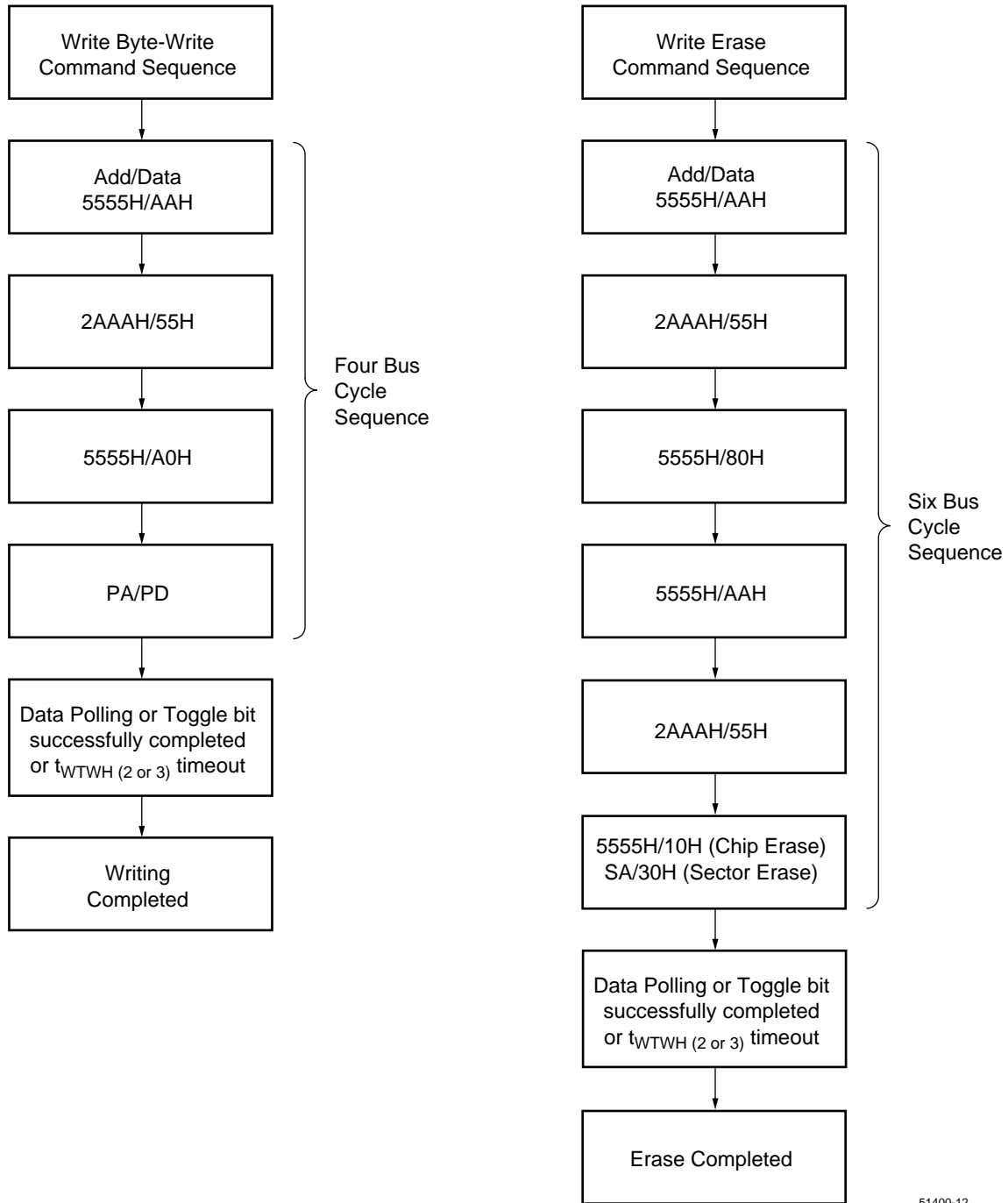
Table 3. Autoselect Decoding

Decoding Mode	Boot Block	Address				Data I/O ₀ –I/O ₇
		A ₀	A ₁	A ₂ –A ₁₃	A ₁₄ –A ₁₇	
Boot Block Protection	Top	V _{IL}	V _{IH}	X	V _{IH}	01H: protected
	Bottom	V _{IL}	V _{IH}	X	V _{IL}	00H: unprotected
Device ID	Top	V _{IH}	V _{IL}	X	X	13H
	Bottom					B3H
Manufacture ID		V _{IL}	V _{IL}	X	X	40H

NOTE:

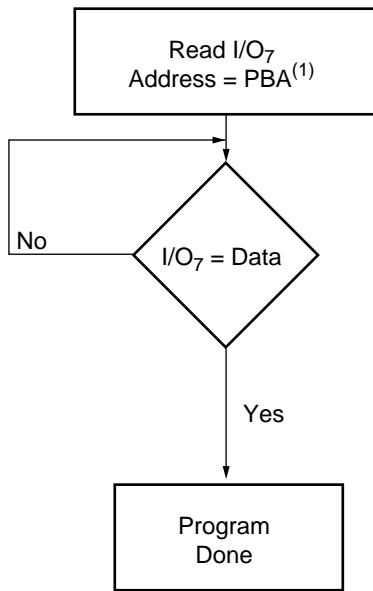
1. X = Don't Care, V_{IH} = HIGH, V_{IL} = LOW.

Byte Program Algorithm/Chip/Sector Erase Algorithm

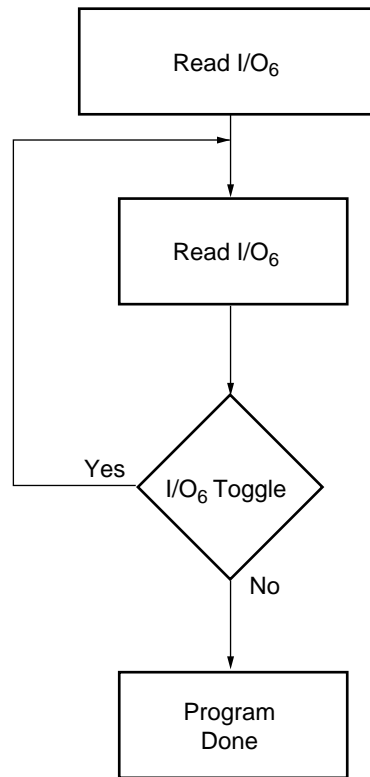


51400-12

DATA Polling Algorithm



Toggle Bit Algorithm



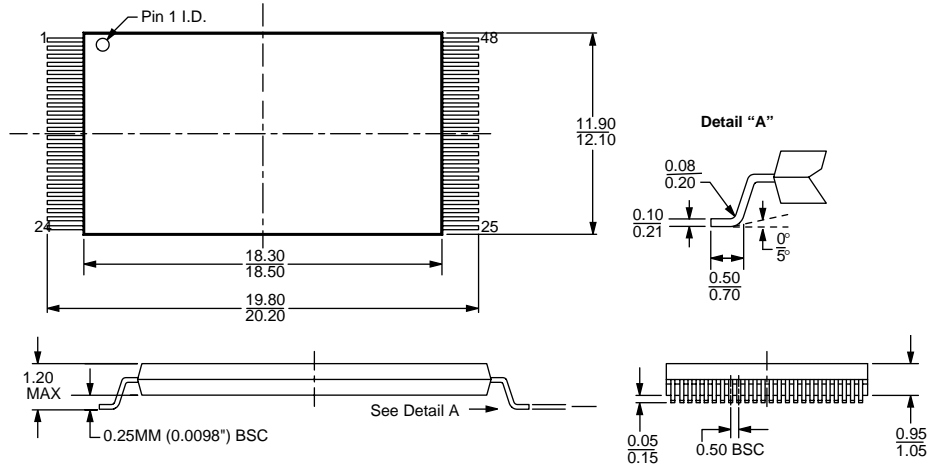
51400-13

NOTE:

- 1. PBA: The byte address to be programmed.

Package Diagrams

48-pin TSOP



U.S.A.

3910 NORTH FIRST STREET
SAN JOSE, CA 95134
PHONE: 408-433-6000
FAX: 408-433-0952

HONG KONG

19 DAI FU STREET
TAIPO INDUSTRIAL ESTATE
TAIPO, NT, HONG KONG
PHONE: 852-2666-3307
FAX: 852-2770-8011

TAIWAN

7F, NO. 102
MIN-CHUAN E. ROAD, SEC. 3
TAIPEI
PHONE: 886-2-2545-1213
FAX: 886-2-2545-1209

NO 19 LI HSIN ROAD
SCIENCE BASED IND. PARK
HSIN CHU, TAIWAN, R.O.C.
PHONE: 886-3-579-5888
FAX: 886-3-566-5888

SINGAPORE

10 ANSON ROAD #23-13
INTERNATIONAL PLAZA
SINGAPORE 079903
PHONE: 65-3231801
FAX: 65-3237013

JAPAN

ONZE 1852 BUILDING 6F
2-14-6 SHINTOMI, CHUO-KU
TOKYO 104-0041
PHONE: 03-3537-1400
FAX: 03-3537-1402

UK & IRELAND

SUITE 50, GROVEWOOD
BUSINESS CENTRE
STRATHCLYDE BUSINESS
PARK
BELLSHILL, LANARKSHIRE,
SCOTLAND, ML4 3NQ
PHONE: 44-1698-748515
FAX: 44-1698-748516

**GERMANY
(CONTINENTAL
EUROPE & ISRAEL)**

BENZSTRASSE 32
71083 HERRENBERG
GERMANY
PHONE: +49 7032 2796-0
FAX: +49 7032 2796 22

U.S. SALES OFFICES**NORTHWESTERN**

3910 NORTH FIRST STREET
SAN JOSE, CA 95134
PHONE: 408-433-6000
FAX: 408-433-0952

SOUTHWESTERN

302 N. EL CAMINO REAL #200
SAN CLEMENTE, CA 92672
PHONE: 949-361-7873
FAX: 949-361-7807

**CENTRAL,
NORTHEASTERN &
SOUTHEASTERN**

604 FIELDWOOD CIRCLE
RICHARDSON, TX 75081
PHONE: 972-690-1402
FAX: 972-690-0341

The information in this document is subject to change without notice.

MOSEL VITELIC makes no commitment to update or keep current the information contained in this document. No part of this document may be copied or reproduced in any form or by any means without the prior written consent of MOSEL-VITELIC.

MOSEL VITELIC subjects its products to normal quality control sampling techniques which are intended to provide an assurance of high quality products suitable for usual commercial applications. MOSEL VITELIC does not do testing appropriate to provide 100% product quality assurance and does not assume any liability for consequential or incidental arising from any use of its products. If such products are to be used in applications in which personal injury might occur from failure, purchaser must do its own quality assurance testing appropriate to such applications.