



PRODUCT NUMBER
20020516-MXXXXXL F

20020516 — □ □ □ □ □ ○ □ L F

PITCH
M: 7.62 mm

POLES
02: 2 POLES
03: 3 POLES
04: 4 POLES
24: 24 POLES

LF : DENOTED RoHS COMPATIBLE
1 : STANDARD PRODUCT
W/ BOX PACKING

SCREW CODE

PROPERTY TABLE	
FBI SERIES NAME	04-762
PITCH (mm)	7.62
VOLTAGE RATING (VAC)	300
CURRENT RATING (A)	32
APPLICABLE WIRE RANGE (AWG)	1-WIRE 8~24
	2-WIRE 14
WIRE CROSS SECTION (mm ²)	SOLID 1-WIRE 10
	SOLID 2-WIRE 2.5
	STRANDED 1-WIRE 6
	STRANDED 2-WIRE 4
OPENING CONTACT HOUSING(mm ²)	3.6x4.2
WIRE STRIP LENGTH(mm)	10~11
TORQUE +/-10% (N-m/Lb-in)	0.79/7.0
SCREW	M3.5x0.5
WITHSTANDING VOLTAGE (kV)	1.6
OPERATING TEMP. (°C)	-40~+115
SOLDERING TEMP. (°C)	250±10 (5 sec.)
POLES AVAILABLE	02~16
SAFETY CERTIFICATE	

CODE	SCREW TYPE	AVAILABILITY
A	-/+	ON REQUEST ONLY
B	-	STANDARD

HOUSING CODE

CODE	COLOR	AVAILABILITY
1	GREEN(RAL 6018/T)	STANDARD
2	BLACK	ON REQUEST ONLY
3	GREY(RAL 7004/P)	ON REQUEST ONLY
4	BLUE(RAL 5015/A)	ON REQUEST ONLY

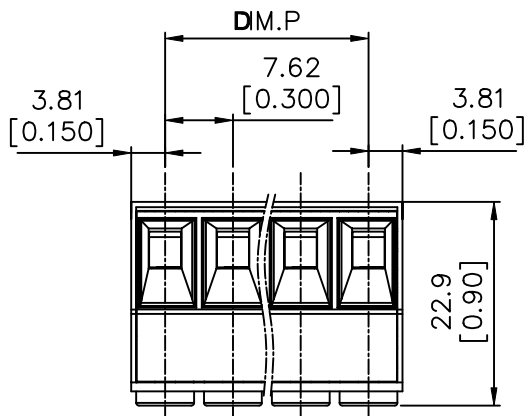
NOTES:

- MATERIALS**
 1-1 HOUSING: THERMALPLASTIC RESIN, UL 94V-0 RATED.
 1-2 SCREW: STEEL, ZINC PLATED.
 1-3 CLAMP: COPPER ALLOY, NICKEL PLATED.
 1-4 TERMINAL: COPPER ALLOY, TIN PLATED.
 1-5 WIRE GUARD: STAINLESS STEEL.
 2. PRODUCTION SPECIFICATION REFER TO FCI GS-12-625.
 3. BOXED PACKAGING.
 DETAILED PRODUCT PACKING SPECIFICATION REFER TO FCI GS-14-1394.
 4. FCI, SAFETY CERTIFICATE LOGO AND SERIES NAME TO BE SHOWN ON PRODUCT SURFACE.
 5. THE PRODUCTS WHERE THE PART NUMBER END IN "LF" MEET THE EUROPEAN UNION DIRECTIVE AND OTHER COUNTRY REGULATIONS AS DESCRIBED IN GS-22-008.

mat'l. code				surface ASME Y14.5 ✓ / tolerance ASME Y14.5		projection		product family TERMINAL BLOCK	
ltr				ecn no		dr		date	
A				DG09-0203		BF		062509	
B				T09-1148		BF		111709	
C				T09-1152		BF		112809	
D				T10-0042		WL		030310	
E				T10-0159		WL		100410	
F				T10-0187		WL		121410	
sheet index				revision		F		F	
sheet				1		2			
angles to 1°				tolerances unless otherwise specified		X±0.5		X.X±0.3	
X±1°				X.XX±0.1		scale		MM [INCH]	
dr				BEER FU		062509		FCI	
enr				BEER FU		062509		type	
chr				GARY HSIEH		062509		CUSTOMER Drawing	
appd				JOSEPH HSIA		062509		20020516 A4	
dwg no				sheet 1 of 2		size		A4	

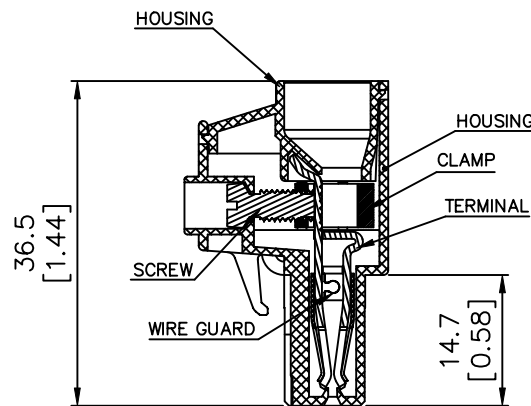
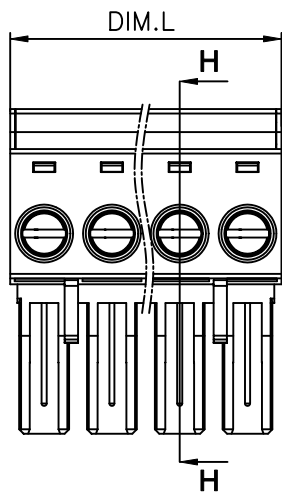


PRODUCT NUMBER	SERIES NAME	PITCH
20020516-MXXXXXXLF	04-762	7.62 mm



N = Number of poles
 Dim L = N x 7.62 [0.300]
 Dim P = (N - 1) x 7.62 [0.300]

TOL.	Dim L	Dim P
2-4p	±0.10 [0.004]	
5-8p	±0.20 [0.008]	
9-12p	±0.30 [0.012]	
13-16p	±0.40 [0.016]	



SEC. H-H

mat'l. code		surface ASME Y14.5 ✓	tolerance ASME Y14.5	projection 	product family TERMINAL BLOCK
ltr	ecn no	dr	date	title	
F				 scale	TERMINAL BLOCK PLUGGABLE PLUG, CONTACT DOWN SIDE
		dr	BEER FU 062509		dwg no 20020516
		enr	BEER FU 062509		sheet 2 of 2 size A4
		chr	GARY HSIEH 062509		type CUSTOMER Drawing
		appd	JOSEPH HSIA 062509		
sheet index	revision sheet				