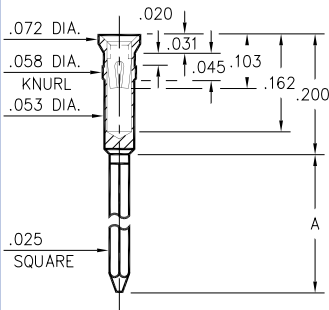


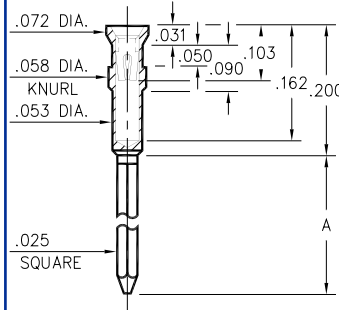
### 0444



Basic Part Number	# of Wraps	Length A
0444-1	1	.260
0444-2	2	.370
0444-3	3	.505

**0444-X-17-XX-30-XX-02-0**  
Press-fit in .056 mounting hole

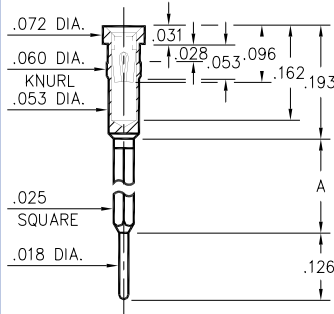
### 0445/0446



Basic Part Number	# of Wraps	Length A
0446-2	2	.370
0445-3	3	.505

**044X-X-17-XX-30-XX-02-0**  
Press-fit in .056 mounting hole

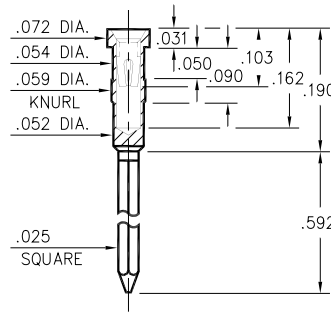
### 2601 ⇒ 2603



Basic Part Number	# of Wraps	Length A
2601-0	1	.232
2602-0	2	.350
2603-0	3	.468

**260X-X-17-XX-30-XX-02-0**  
Press-fit in .057 mounting hole

### 1047



**1047-3-17-XX-30-XX-02-0**  
Press-fit in .056 mounting hole

#### SPECIFICATIONS

**SHELL MATERIAL:**  
Brass Alloy 360, 1/2 Hard

**CONTACT MATERIAL:**  
Beryllium Copper Alloy 172, HT

**DIMENSION IN INCHES**

**TOLERANCES ON:**  
LENGTHS: ±.005  
DIAMETERS: ±.002  
ANGLES: ± 2°

**ORDER CODE: XXXX - X - 17 - XX - 30 - XX - 02 - 0**

**BASIC PART #** →

**SPECIFY SHELL FINISH:** →

**01** 200μ" TIN/LEAD OVER NICKEL

**15** 10μ" GOLD OVER NICKEL

**SPECIFY CONTACT FINISH:**

**02** 200μ" TIN/LEAD OVER NICKEL

**14** 10μ" GOLD OVER NICKEL

**27** 30μ" GOLD OVER NICKEL

**SELECT CONTACT**

**#30 CONTACT (DATA ON PAGE 208)**