

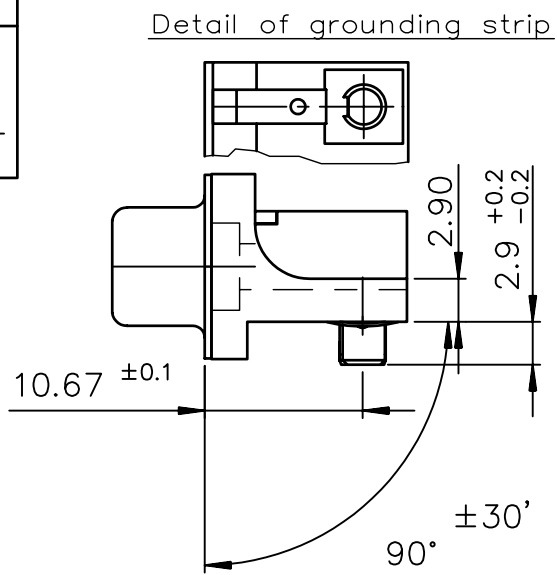
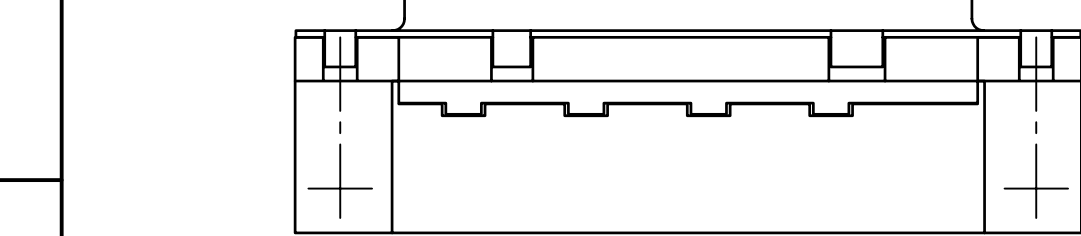
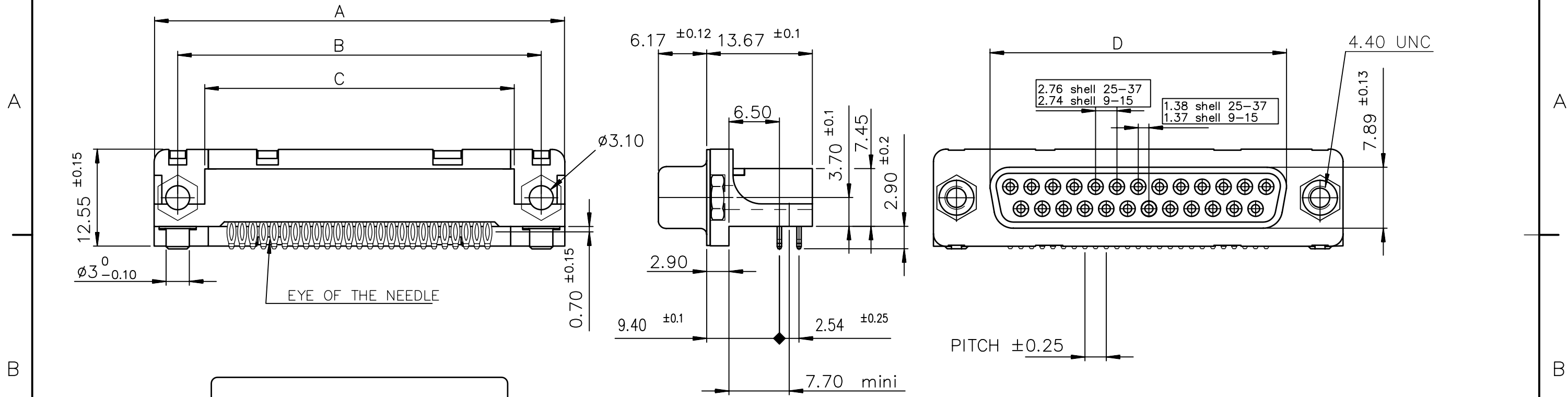
1

2

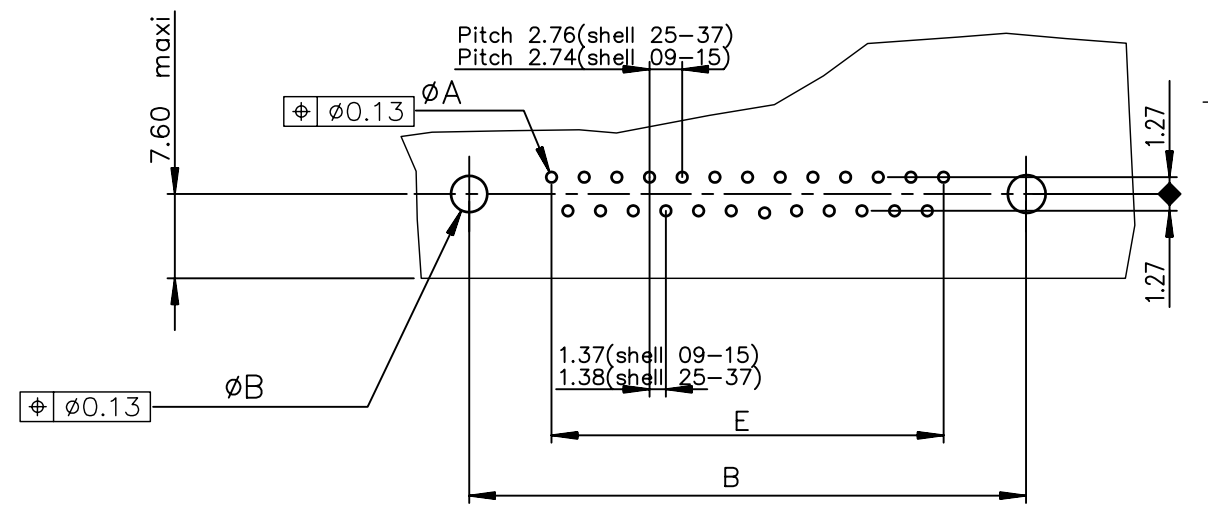
3

4

view shown without grounding and plastic pin



PC card drilling dimensions(after plating)  
(thickness 1.60 ±0.25 mm)



LEAD PART NUMBER

SHELL	A±0.38	B±0.12	C±0.10	D±0.25	E±0.07	PART NUMBER	PART NUMBER
09	30.81	24.99	18.00	16.21	10.96	D09S82C4PX00	D09S82C6PX00
15	39.14	33.32	26.32	24.54	19.18	D15S82C4PX00	D15S82C6PX00
25	53.03	47.04	40.04	38.25	33.12	D25S82C4PX00	D25S82C6PX00
37	69.32	63.50	56.50	54.71	49.68	D37S82C4PX00	D37S82C6PX00
						Gold flash	0,76 » gold

GENERAL CHARACTERISTICS AND ROHS INFORMATIONS:  
SEE DRAWING C01-8646-0001

European Views

www.fciconnect.com			surface ISO 1302 ✓	tolerance std ISO 406 ISO 1101	projection mm
TOLERANCES UNLESS OTHERWISE SPECIFIED					
Dr	ANISH SALAM	2009-05-07	ANGULAR	0.X	±0.1
Eng	ANISH SALAM	2009-05-07		0.XX	±0.1
Chr	ANISH SALAM	2009-05-07	LINEAR	0.XXX	±0.1
Appr	SUDHIR VARMA	2009-05-07		0.XX' ±2	±0.1
Product family			D-SUB		size A3
Spec ref			-		Scale 2
ECN			109-0070		Rev. A
title FEMALE CONNECTOR DELTA D EUROSTYLE right angle press fit			dwg no C-DD-0134		sheet 1 of 1
catalog no			-		CUSTOMER

LEAD FREE PART NUMBER

SHELL	A±0.38	B±0.12	C±0.10	D±0.25	E±0.07	PART NUMBER	PART NUMBER
09	30.81	24.99	18.00	16.21	10.96	D09S82C4PX00LF	D09S82C6PX00LF
15	39.14	33.32	26.32	24.54	19.18	D15S82C4PX00LF	D15S82C6PX00LF
25	53.03	47.04	40.04	38.25	33.12	D25S82C4PX00LF	D25S82C6PX00LF
37	69.32	63.50	56.50	54.71	49.68	D37S82C4PX00LF	D37S82C6PX00LF
						Gold flash	0,76 » gold

rev	ecn no	dr	date
A	109-0070	AS	2009-05-07
-	-	-	-
-	-	-	-
-	-	-	-
-	-	-	-
-	-	-	-
-	-	-	-

REV F - 2006-04-17

1

2

3

4