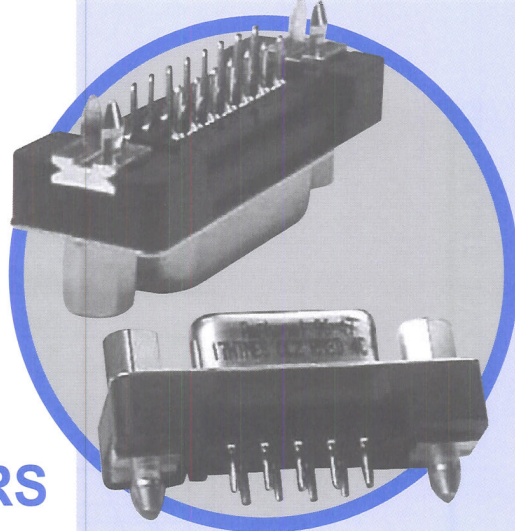


TS

D-Sub connectors - Stamped and Formed Contacts

STRAIGHT PCB TERMINATION ONE METAL SHELL CONNECTORS



CHARACTERISTICS

Specifications

- Connectors according to MIL C24308

| Materials and Platings | |
|------------------------|--------------------------------------|
| Shells | Steel with nickel plating |
| Insulator | Glass-filled thermoplastic, UL 94V-0 |
| Contacts | Copper alloy, selective gold plating |
| Boardlock | Brass with nickel plating |
| Screwlock | Brass with nickel plating |

| Electrical Data | |
|------------------------------|----------------------------------|
| Current rating | 5A |
| Voltage rating | 600V AC/rms 50Hz |
| Withstanding voltage | 1000V AC/rms 50Hz for one minute |
| Insulation resistance | 5000M Ω |
| Contact resistance | 10m Ω max |

| Climatic Data | |
|------------------------------|-----------------|
| Operating temperature | -55°C to +125°C |

| Mechanical Data | | |
|--|---------------|--------------|
| Mating and unmating force Unit: kg (lb) | | |
| No. of Cts | Mate (max) | Unmate (min) |
| 9 | 3.05 (6.74) | 0.36 (0.79) |
| 15 | 5.09 (11.24) | 0.46 (1.01) |
| 25 | 8.44 (18.66) | 0.81 (1.8) |
| 37 | 12.51 (27.65) | 1.1 (2.47) |

| | |
|-------------------------------------|--|
| Standard plating thicknesses | <ul style="list-style-type: none">• gold flash• 0.4μm (15μ") gold• 0.76 μm (30μ") gold |
|-------------------------------------|--|

DESCRIPTION

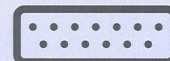
The one shell D-sub Amphenol series features, stamped and formed contacts.

This series gives you Amphenol's high standards of quality and reliability to meet all of your commercial requirements

*Economical
straight PCB,
one shell
connectors*

APPLICATIONS

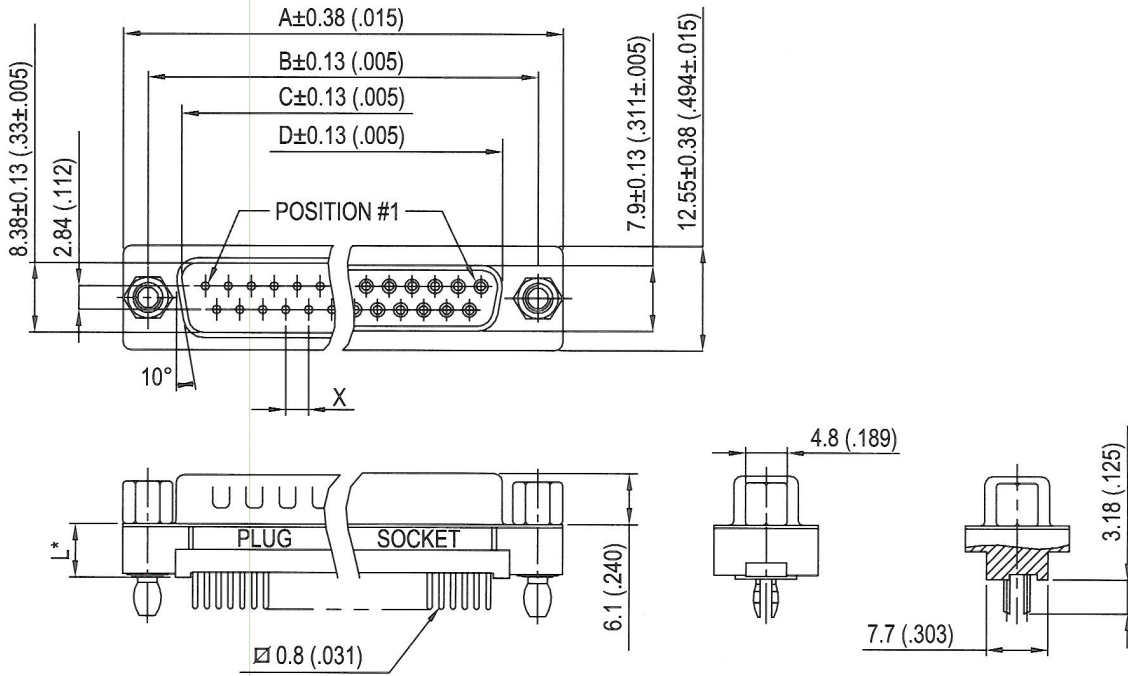
- Industrial
- Telecom
- Any industry standard I / O connections



Amphenol

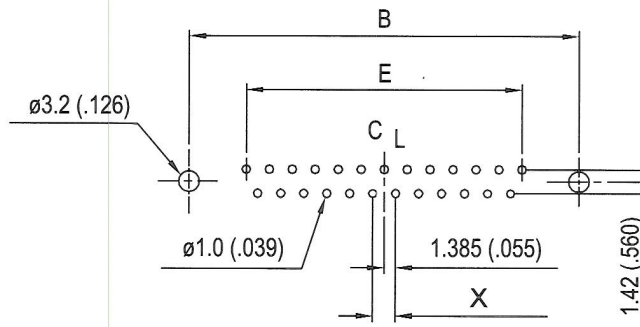
TS / E10

Shell Size Dimensions



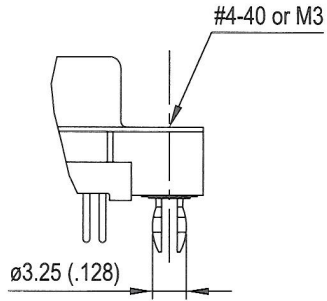
*see chart "how to order"

RECOMMENDED P.C.B. LAYOUT

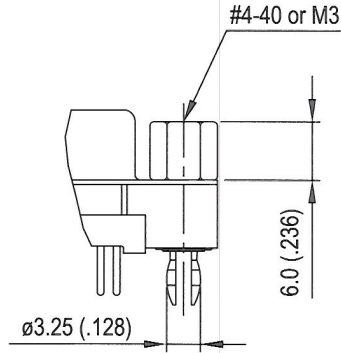


| Nb OF CONTACTS | DIMENSIONS mm (inch) | | | | | |
|----------------|----------------------|--------------|--------------|--------------|--------------|------|
| | A | B | C | D | E | X |
| 9 | 30.84 (1.21) | 24.99 (.984) | 16.92 (.666) | 16.26 (.640) | 11.08 (.436) | 2.74 |
| 15 | 39.24 (1.54) | 33.32 (1.31) | 25.25 (.994) | 24.56 (.967) | 19.39 (.763) | 2.74 |
| 25 | 53.04 (2.09) | 47.04 (1.85) | 38.96 (1.53) | 38.30 (1.51) | 33.24 (1.31) | 2.77 |
| 37 | 69.34 (2.73) | 63.50 (2.50) | 55.42 (2.18) | 54.76 (2.16) | 49.86 (1.96) | 2.77 |

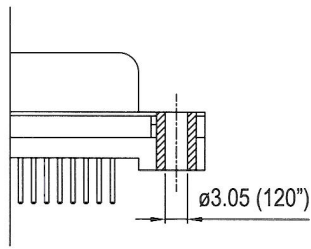
Panel mounting option



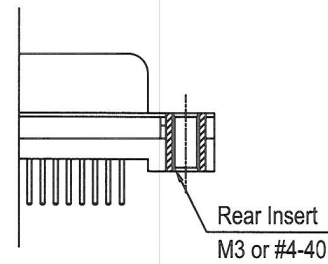
Boardlock with Threaded Insert
RM5



Boardlock with Front Screwlock
RM8

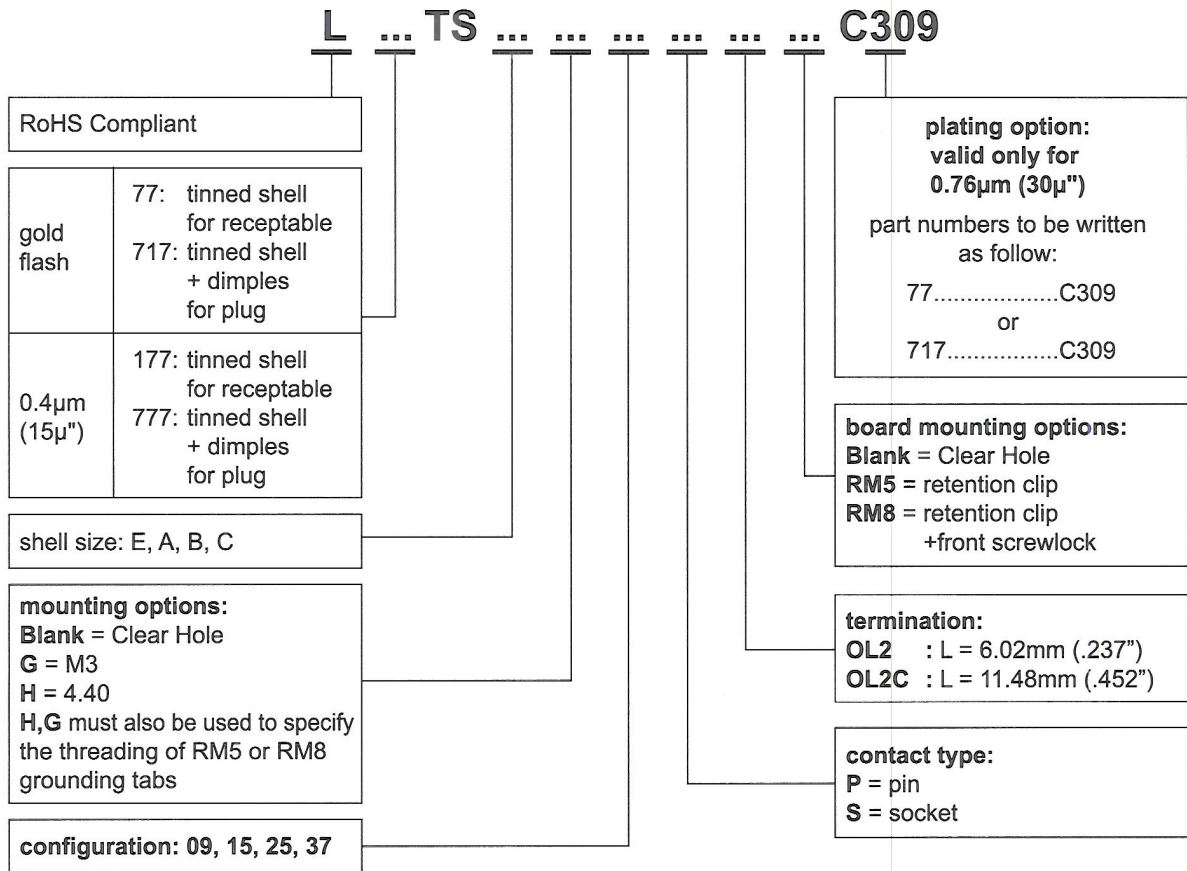


Clear Hole



Rear Insert Threaded

How to order



For special request, please consult factory

