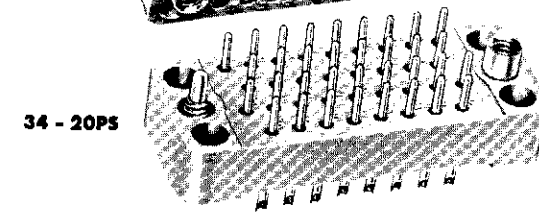
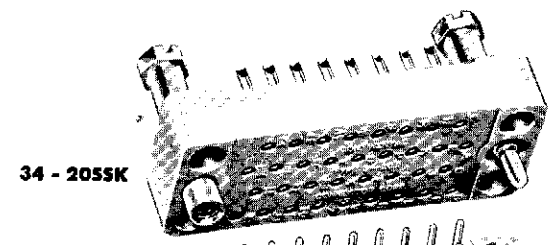
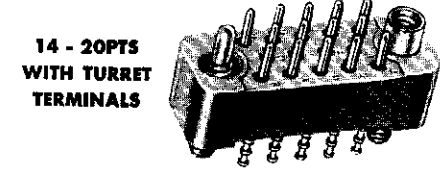
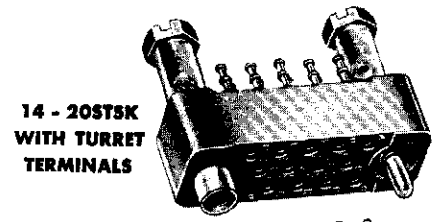
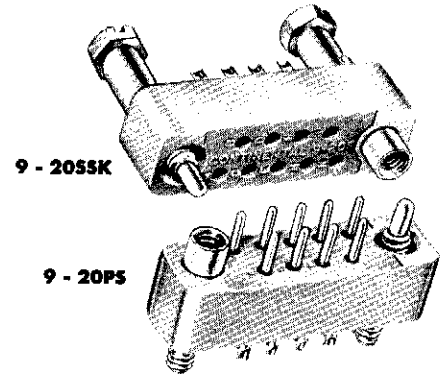
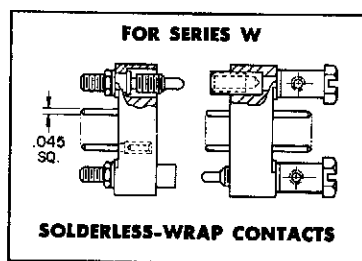
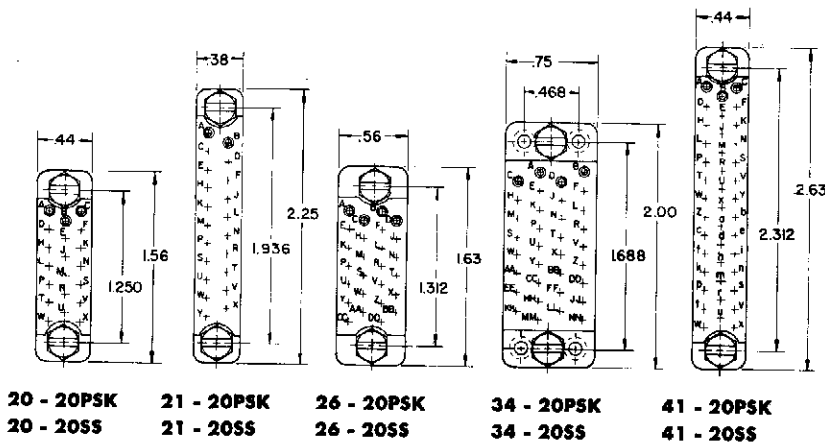
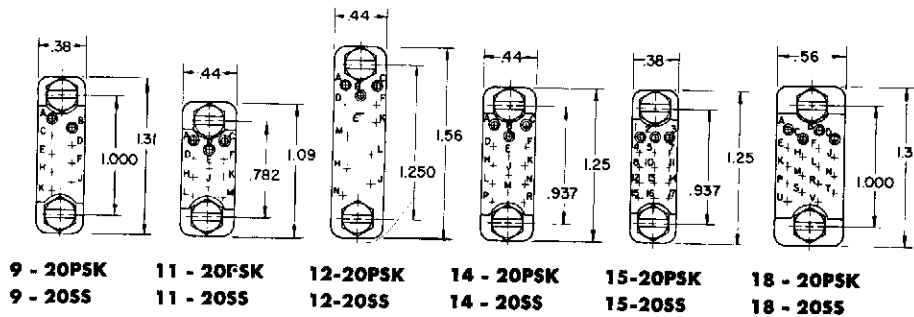
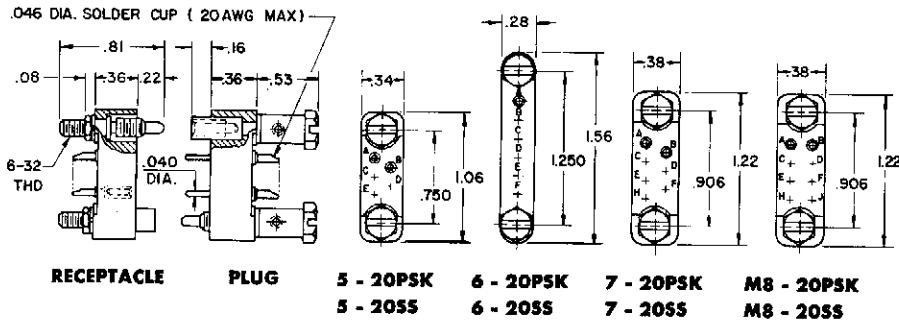
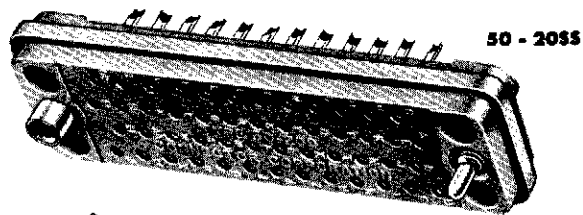


# SERIES 20 polarizing screwlocks\*

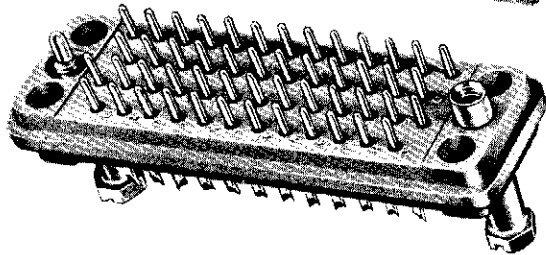


\*PAT. NO. 2,746,022

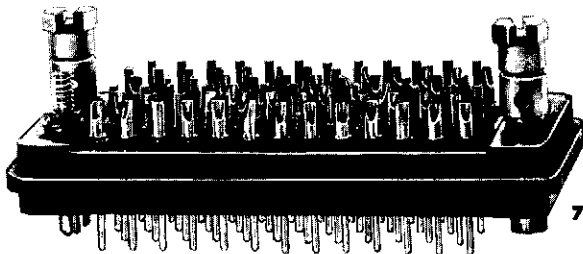
ACTUAL SIZE



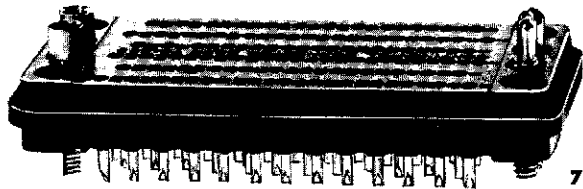
50 - 20SS



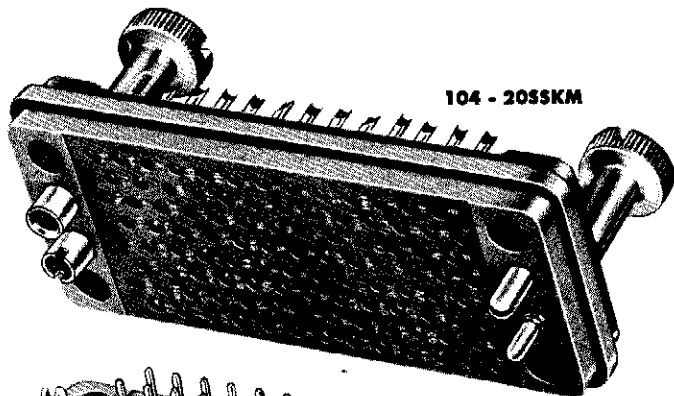
50 - 20PSK



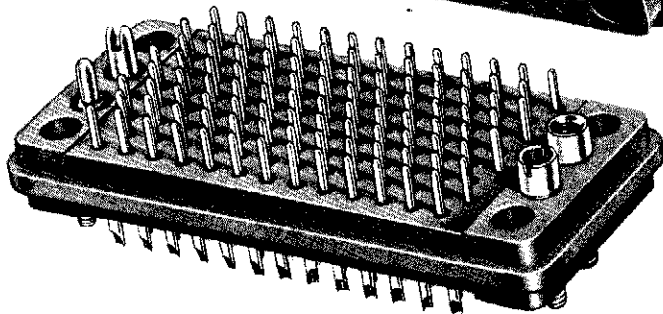
75 - 20PSK



75 - 20SS

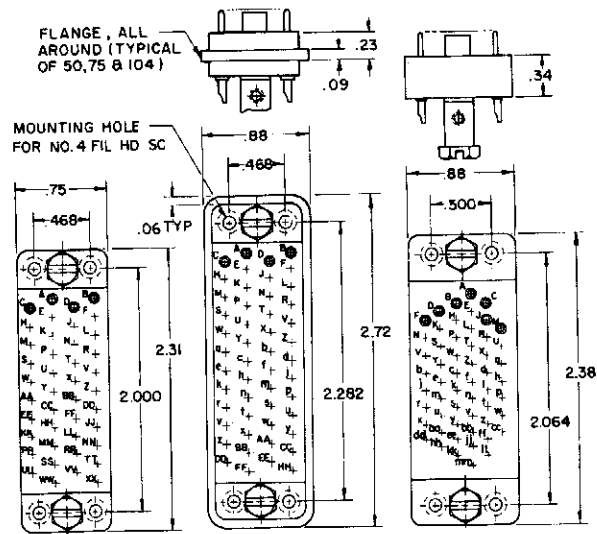


104 - 20SSKM



104 - 20PS

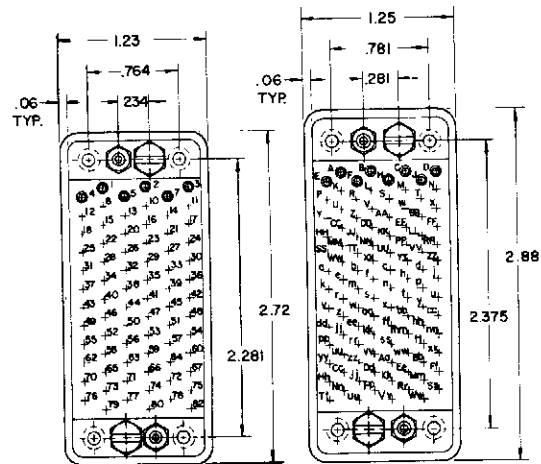
ACTUAL SIZE



42 - 20PSK  
42 - 20SS

50 - 20PSK  
50 - 20SS

55 - 20PSK  
55 - 20SS



75 - 20PSK  
75 - 20SS

104 - 20PSK  
104 - 20SS

**NOTES**

1. Body Material: Glass reinforced Diallyl Phthalate Type GDI-30 per MIL-P-19833 (add "GD" to part number when ordering — 7-20PGBSK).
2. Pin Contact Material: Gold plated brass.
3. Socket Contact Material: Gold plated phosphor bronze.
4. Unless otherwise specified all views shown are for wiring side of plug.
5. See page 23 for typical knobs available. Other knobs can be obtained on special order — write for details.