

4004 SERIES

FEATURES

- Designed to Meet MIL-E-5400 Class 3
- SMA Female Connectors per MIL-PRF-39012
- High Isolation Wilkinson Circuit Design

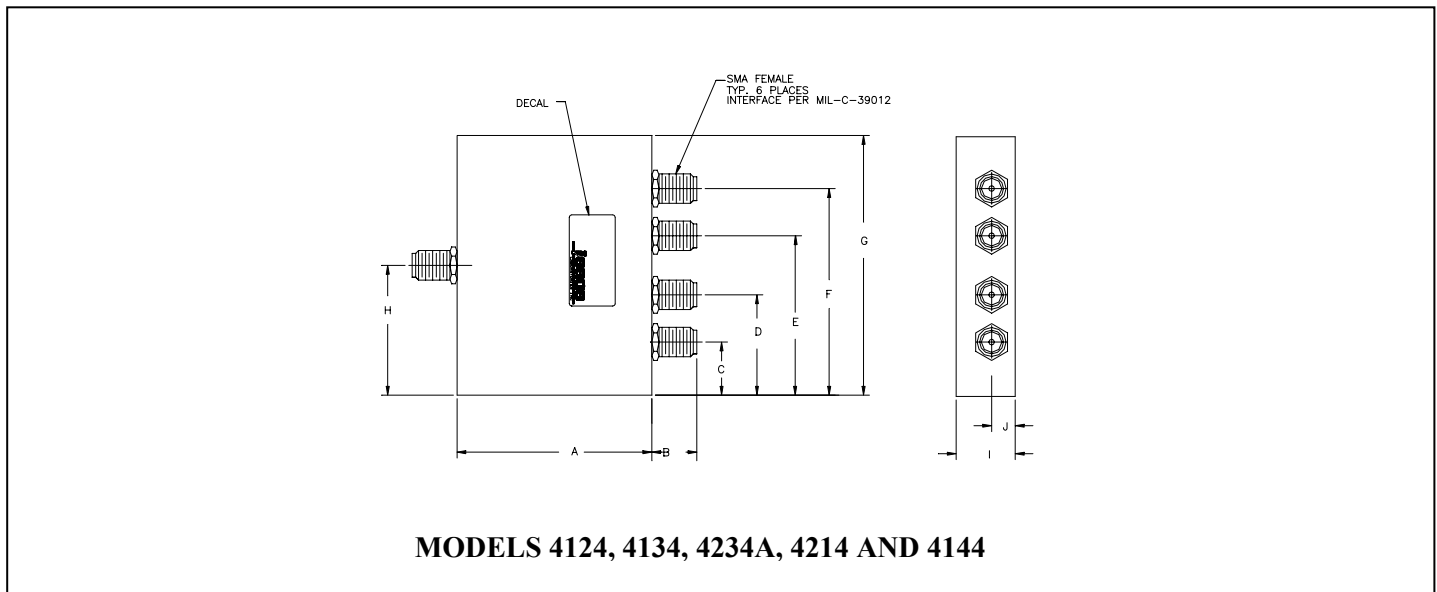
SPECIFICATIONS

Frequency Range GHz	Insertion Loss max (dB) @ f (GHz)	VSWR max Input/Output	Isolation min (dB)	Amplitude Unbalance max (dB)	Phase Unbalance max (Degrees)	Average Power ¹ (W) @ 1 GHz	Model
1-2	0.6	1.25/1.25	20	0.3	4	20	4124
2-4	0.4	1.25/1.25	20	0.3	6	20	4134
2-6	0.7	1.35/1.35	20	0.3	6	20	4234A
3.7-4.2	0.4	1.20/1.20	20	0.2	6 ²	5	4214
3.7-4.2	0.4	1.20/1.20	20	0.2	6 ²	5	4214A
4-8	0.8	1.35/1.35	20	0.4	8	20	4144
8-18	0.6	1.60/1.50	17	0.5	16	5	4234

NOTES:

1. Input power with 1.5 max output load VSWR. Power handling is reduced when used as a combiner. Consult factory
2. To equalize the phase at all four ports, add an additional external line length to J3 and J4 equivalent to 3.5 cm of air line each.

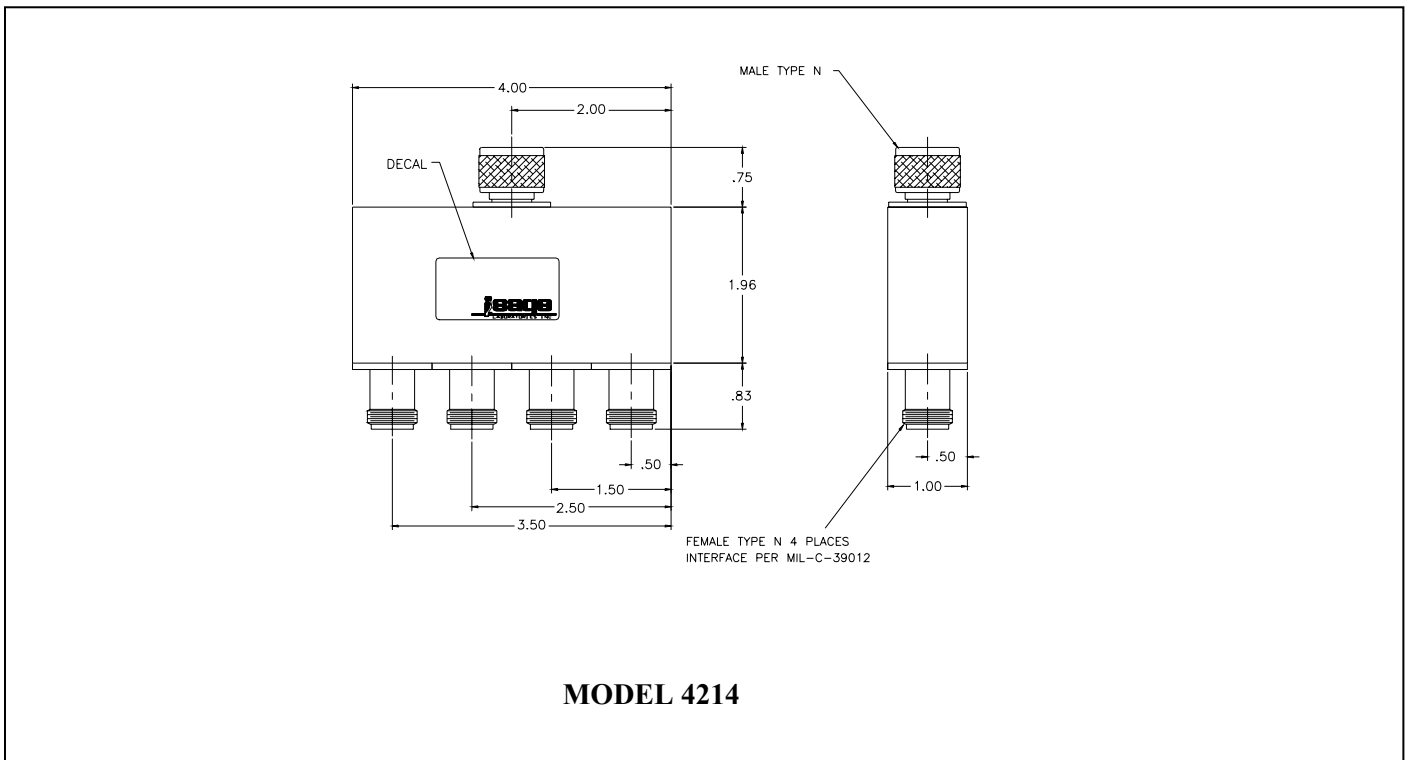
OUTLINE DRAWING



Model	A"	B"	C"	D"	E"	F"	G"	H"	I"	J"
4124	1.65	.38	.45	.85	1.35	1.75	2.20	1.10	.38	.19
4134	1.65	.38	.45	.85	1.35	1.75	2.20	1.10	.38	.19
4144	1.06	.38	.30	.70	1.20	1.60	1.90	.95	.38	.19
4214	1.96	.39	.50	1.50	2.50	3.50	4.00	2.00	.50	.20
4234A	1.45	.38	.31	.71	1.21	1.61	1.92	.96	.38	.19

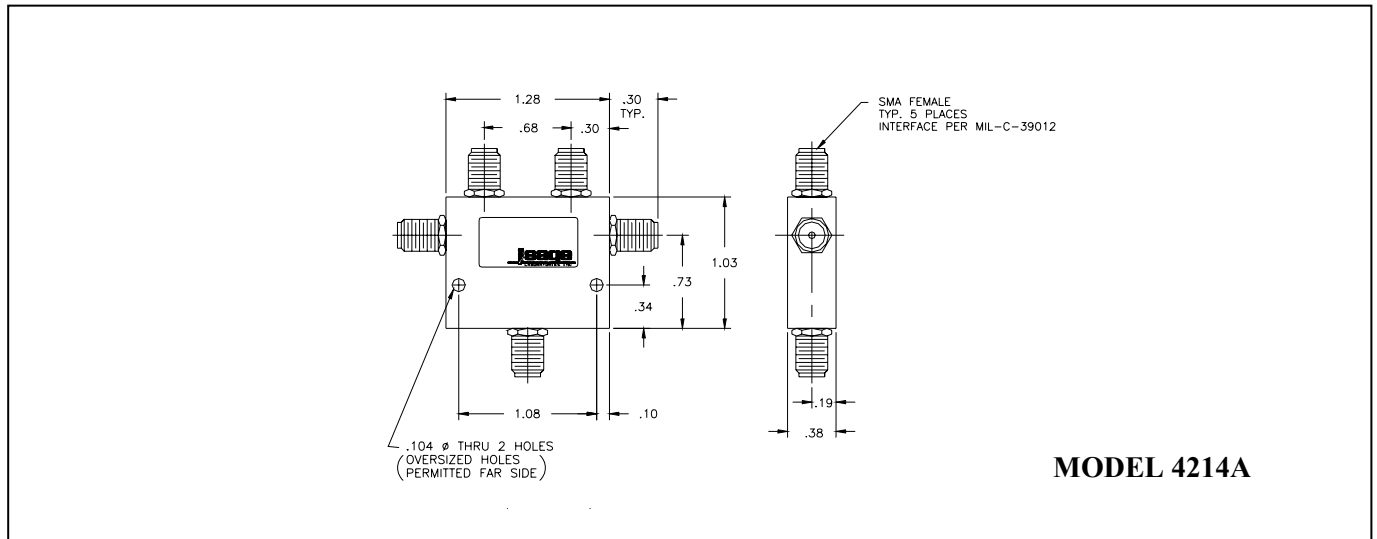
Model	A (cm)	B (cm)	C (cm)	D (cm)	E (cm)	F (cm)	G (cm)	H (cm)	I (cm)	J (cm)
4124	(4,19)	(0,97)	(1,14)	(2,16)	(3,43)	(4,45)	(5,59)	(2,79)	(0,97)	(0,48)
4134	(4,19)	(0,97)	(1,14)	(2,16)	(3,43)	(4,45)	(5,59)	(2,79)	(0,97)	(0,48)
4144	(2,69)	(0,97)	(0,76)	(1,78)	(3,05)	(4,06)	(4,83)	(2,41)	(0,97)	(0,48)
4214	(4,98)	(0,99)	(1,27)	(3,81)	(6,35)	(8,89)	(10,16)	(5,08)	(1,27)	(0,51)
4234A	(3,68)	(0,97)	(0,79)	(1,80)	(3,07)	(4,09)	(4,88)	(2,44)	(0,97)	(0,48)

OUTLINE DRAWINGS



MODEL 4214





MISCELLANEOUS:

1. Sage Laboratories Inc. "Standard Warranty and Order Terms and Conditions" apply to all orders.
2. All specifications subject to change without notice.
3. Check "Ordering and Availability Listing" for delivery and ordering information.
4. Contact our local Manufacturers Representative for pricing.

Specification Revision - 022003

