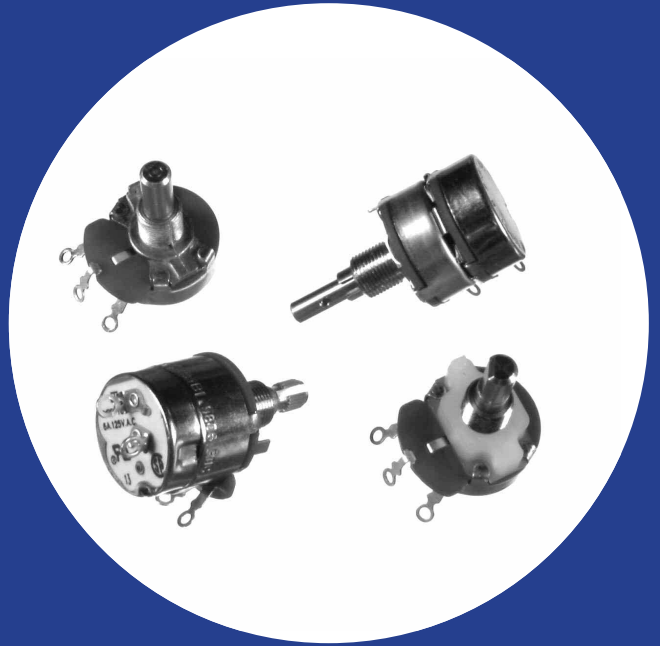


Commercial 15/16" (24mm) Diameter, 5-Watt, Wirewound Variable Resistors

- Fully enclosed construction
- 5-watt power rating
- Compact size
- Superior resistance stability
- Tandem constructions available
- Economical
- Bushing or twist tab mounting
- Available with pull-push and rotary power switches
- 3% maximum linearity



Electrical and Mechanical Specifications

Resistance Range

Linear: 1 ohm through 25K ohms
Audio: 20 ohms through 10K ohms

Resistance Tolerance

Standard: $\pm 10\%$
Special: Tighter tolerance available in most resistance values

Power Rating, Watts

5 watts @25°C, 4watts@55°C, derated to no load at 105°C, linear taper, bushing mounted control on steel panel 4" x 4" x .050" (101.6mm x 101.6mm x 1.27mm). (Derating required on two section controls.)

Voltage Rating

Bushing to Terminals:
High pot test, one minute --- 1,000 VAC
Operating maximum --- 500 VDC
Across End Terminals:
350 VDC maximum, load not to exceed wattage rating.

Operating Temperature

-10°C to +70°C

Resistance Tapers

Standard: Linear, 15% audio
Special: Consult factory

Taps

One tap at 50% of resistance and rotation available on resistance values under 5K ohms.

Power Switches

Available in most constructions.

Angle of Rotation

Total Rotation:
Without switch --- $300^\circ \pm 5$
With switch --- $300^\circ \pm 5$
Effective Rotation:
Without switch --- 280° approximate
With switch --- 265° approximate

Turning Torque

0.75 to 6.0 IN.OZ. (45 to 360 g-cm)

Stop strength

Typical 8 to 15 Kg-cm (material dependent)

(continued on next page)

Technical Data Sheet 10/28/03 Rev A

Shaft Information

Diameter: .250" (6.35mm)
 Length: As required.
 Trim: Round, flattened, knurled or with a screwdriver slot

Radius: Standard: .438" (11.1mm)
 Special: .531" (13.5mm) available

Bushing Information

Diameter: 3/8"-32 UNEF-2A thread.
 Lengths:
 Standard bushing: 3/8" (9.53mm) or 1/4" (6.35mm)
 Special length: Available as required

Metric bushings available. Consult CTS.

Rotational Life

Standard: 10,000 cycles
 Special : 100,000 cycles

Mounting Hardware

Available upon request

Special Features and Constructions

Terminals accepting solderless push-on connectors available.

Straight or concentric tandem constructions.

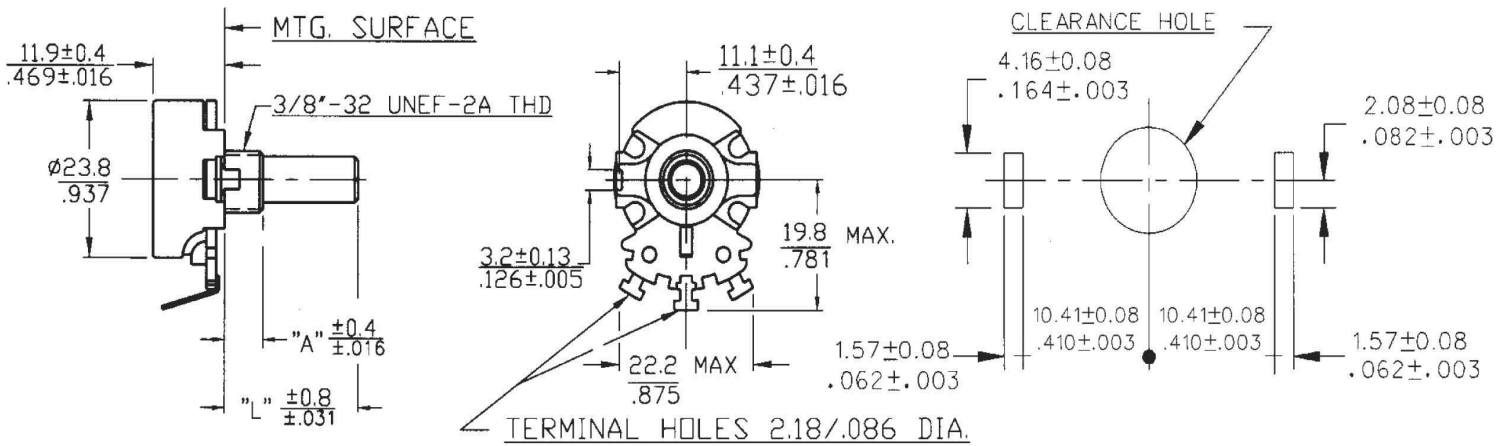
Compatible with 450 series, 15/16" (24mm) diameter, commercial composition variable resistor and can be combined to make any combination of straight or concentric tandem constructions with or without switch.

Locating Lugs

Standard Position: Left side (with terminals down) supplied, unless otherwise specified.

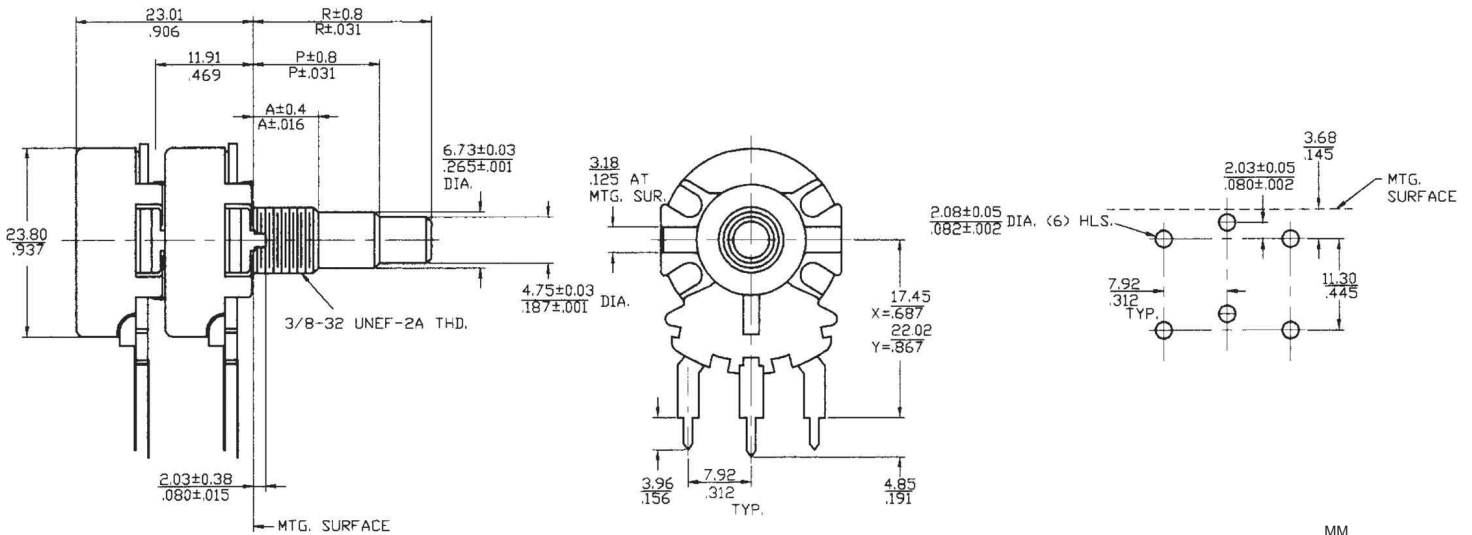
Other Positions: Available with right side only, both left and right, or without lugs.

T026 Metal Shaft, Bushing Mounting, Type "T" Solder Lug Terminals



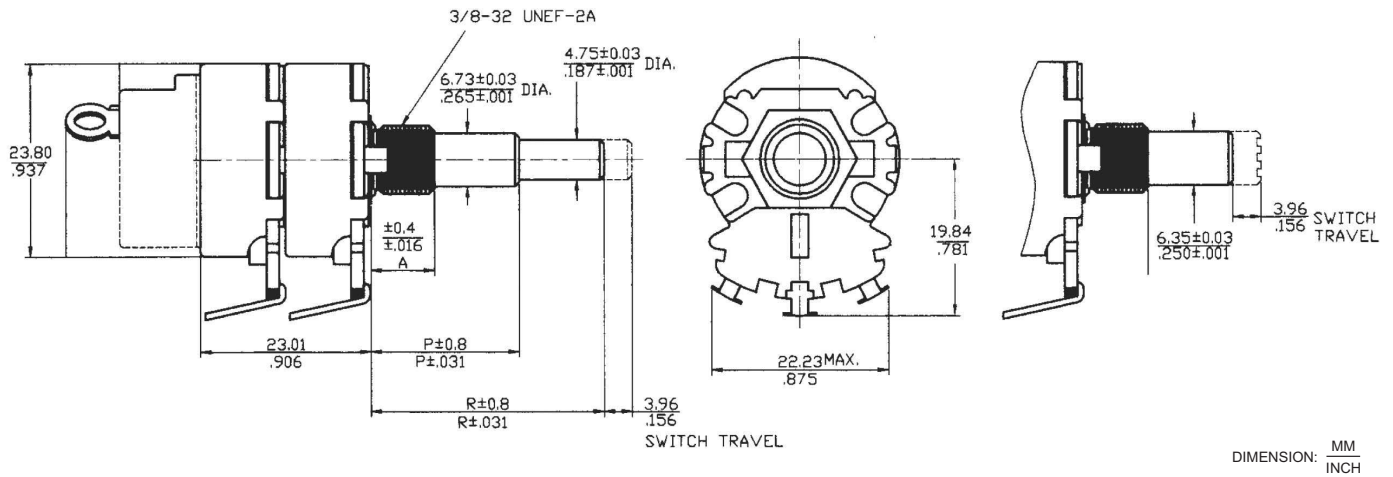
DIMENSION: $\frac{MM}{INCH}$

C2-026 Printed Circuit Terminal Options

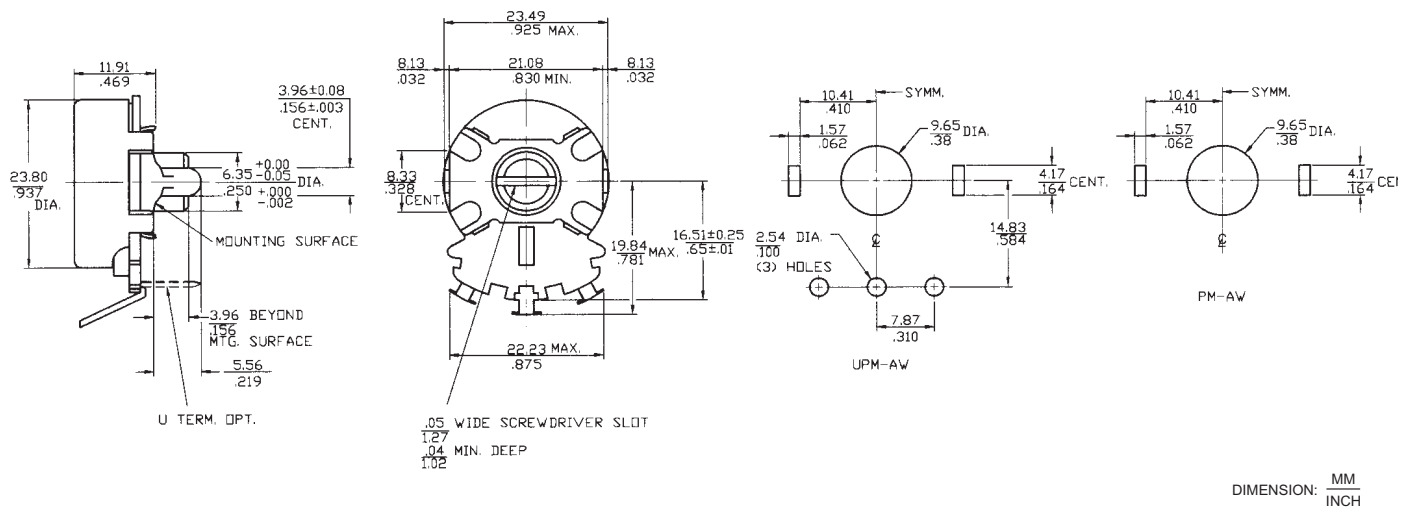


DIMENSION: $\frac{MM}{INCH}$

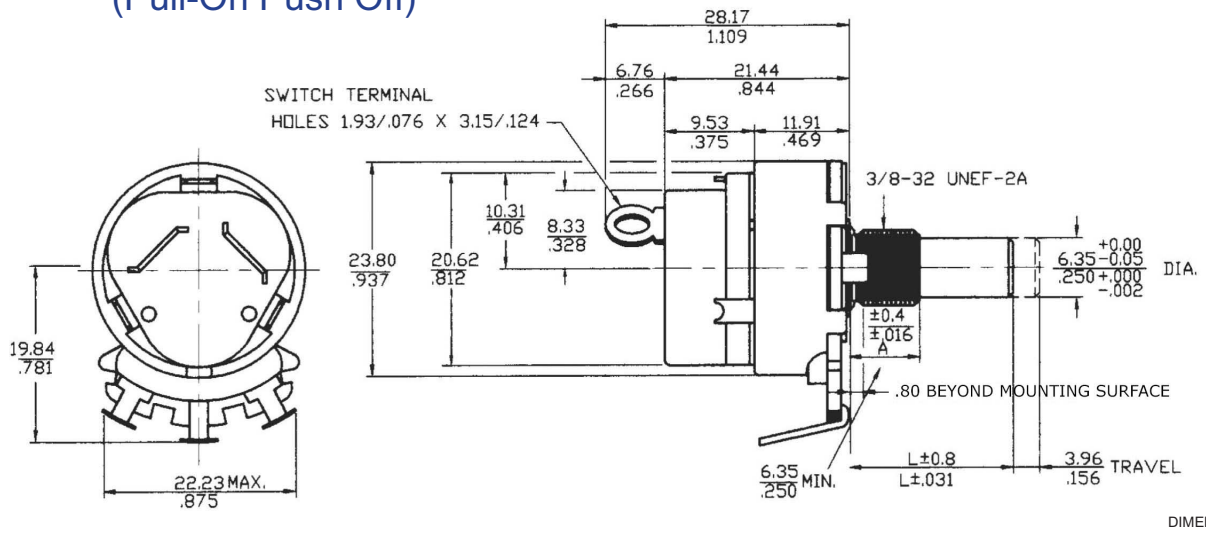
C2-026 Concentric Tandem(Available in Two or More Sections) with Switch



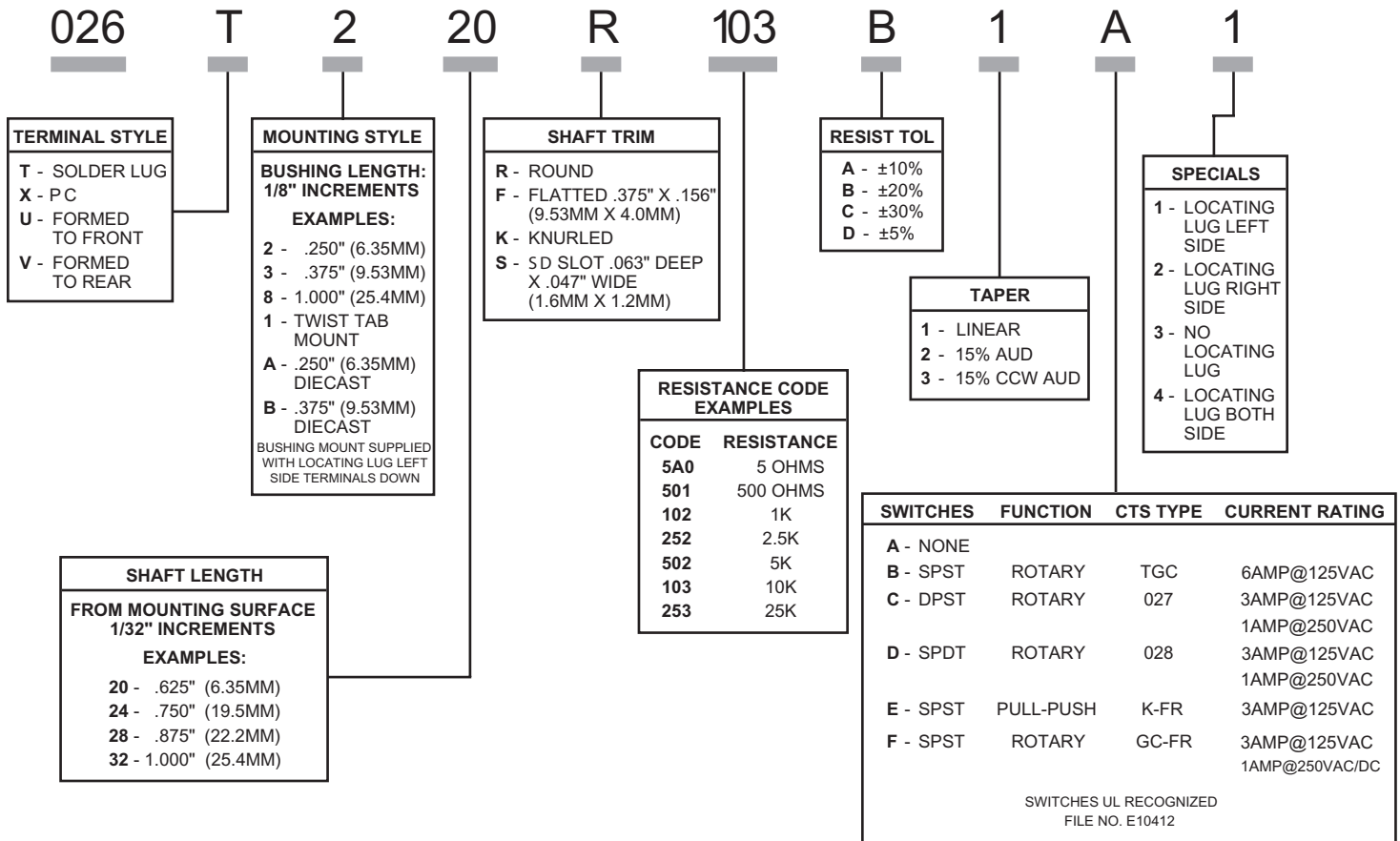
PM-026 Twist Tab Mounting, Molded Rotor(Available in Metal Shafts)



K-026 Bushing Mounted, Single Section with Attached K Switch (Pull-On Push Off)



Ordering Information



Order From:

CTS CORPORATION / 406 Parr Road / Berne, Indiana 46711
TEL: (260)589-3111 / FAX: (260)589-3243

CTS COMPONENTS TAIWAN, LTD. / 7, Central 6th Road / Kaohsiung Export Processing Zone
Kaohsiung, Taiwan, Rep. of China
TEL: (07) 821-6145 / FAX: (07) 811-0040