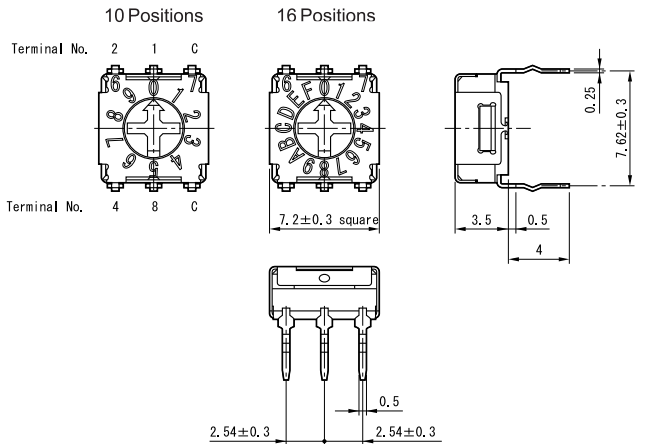
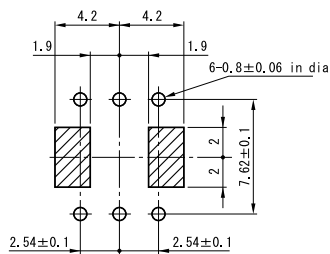


ROTARY DIP SWITCHES 45Jseries - Vertical / Through-hole Type

WITHOUT GROUNDING TERMINAL TYPE

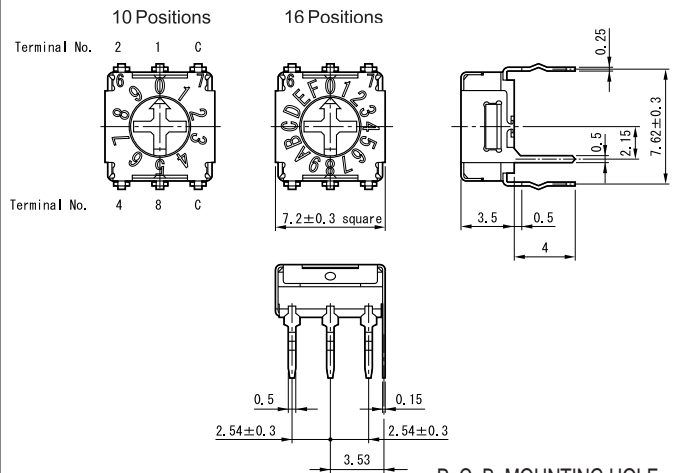


P. C. B. MOUNTING HOLE

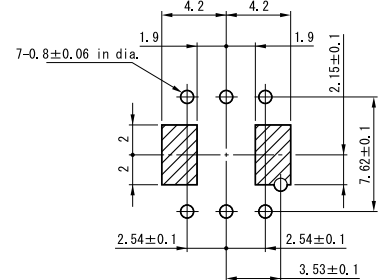
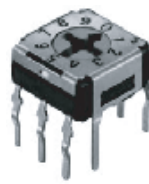


(Note 1) The hatched portion in the figure represents the area which should not receive conductive pattern.

WITH GROUNDING TERMINAL TYPE



P. C. B. MOUNTING HOLE



(Note 1) The hatched portion in the figure represents the area which should not receive conductive pattern.

TYPES

No. of Positions	Dial	Part Number		Code Truth Table (See code truth tables)	Code No.	Rotor Color
		Without Grounding Terminal	With grounding Terminal			
10	0 - 9	45J02-E	45J02A-E	Binary-Coded Decimal	02	Orange
		45J12-E	45J12A-E	Binary-Coded Decimal Complement	12	Yellowish green
16	0 - 9 A - F	45J34-E	45J34A-E	Binary-Coded Hexadecimal	34	Red
		45J41-E	45J41A-E	Binary-Coded Hexadecimal Complement	41	White

CODE TRUTH TABLES

Binary-Coded Decimal					Binary-Coded Decimal Complement					Binary-Coded Hexadecimal					Binary-Coded Hexadecimal Complement				
Code No. : 02					Code No. : 12					Code No. : 34					Code No. : 41				
Dial	Common (c) connected to terminals indicated				Dial	Common (c) connected to terminals indicated				Dial	Common (c) connected to terminals indicated				Dial	Common (c) connected to terminals indicated			
	1	2	4	8		1	2	4	8		1	2	4	8		1	2	4	8
0					●	●	●	●	0	●	●	●	●	0	●	●	●	●	
1	●				●	●	●	●	1	●				1	●				
2		●			●		●	●	2		●			2	●		●	●	
3	●	●			●		●	●	3	●	●			3	●	●		●	
4			●		●	●		●	4		●	●		4	●	●		●	
5	●			●	●		●	●	5	●		●		5	●		●	●	
6		●	●		●		●	●	6	●		●	●	6	●		●	●	
7	●	●	●		●		●	●	7	●	●	●		7	●	●	●	●	
8				●	●	●	●		8	●	●	●	●	8	●	●	●	●	
9	●			●	●	●	●		9	●			●	9	●			●	
A					●			●	A		●			A	●		●		
B	●				●			●	B	●			●	B	●			●	
C			●		●			●	C			●		C	●	●			
D	●		●		●			●	D	●		●		D	●	●			
E		●	●		●			●	E		●	●		E	●			●	
F	●	●	●	●	●	●	●		F	●	●	●	●	F	●	●	●	●	