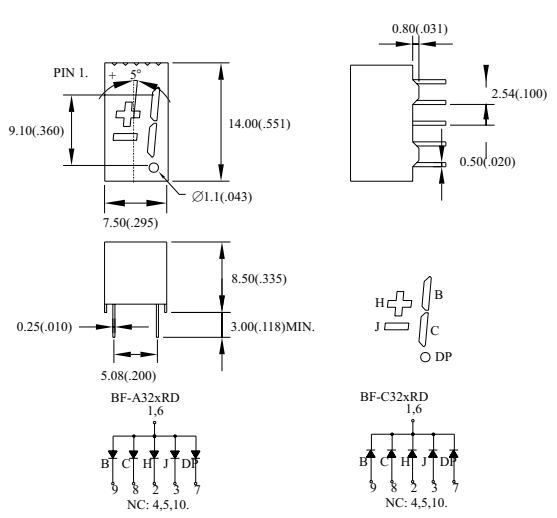
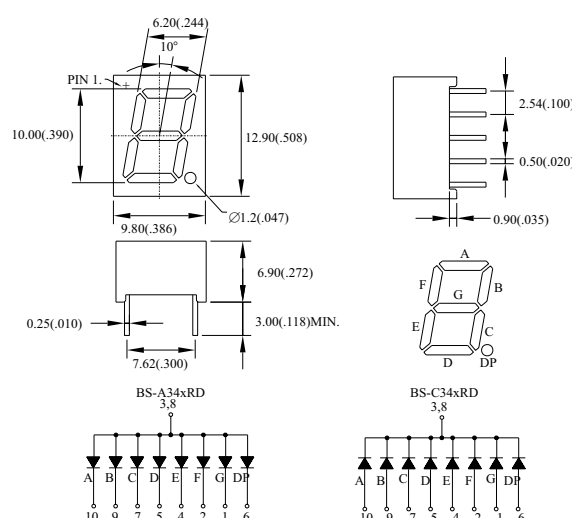
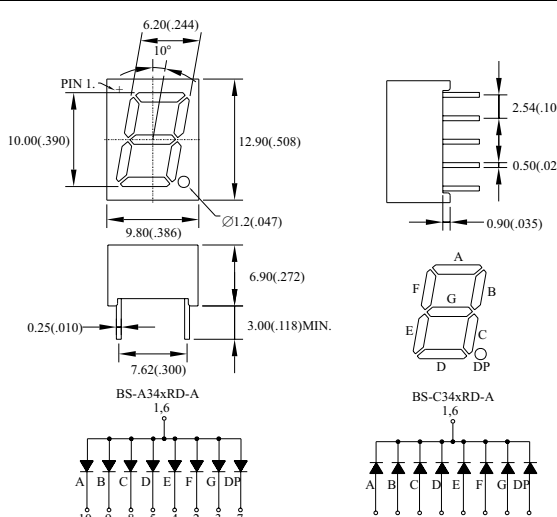
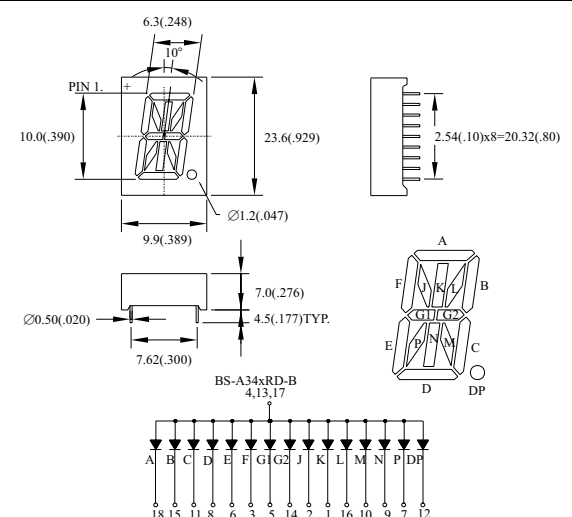
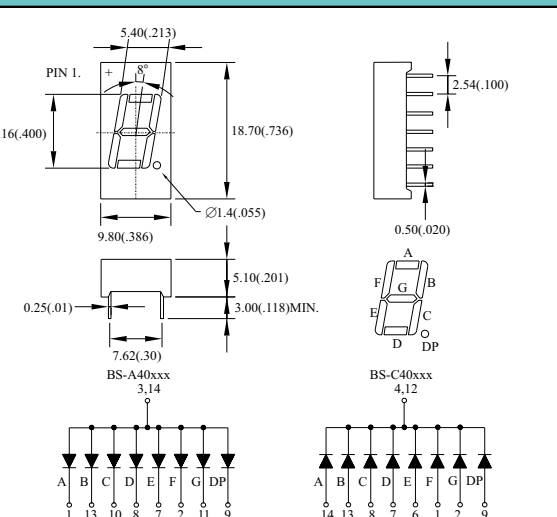
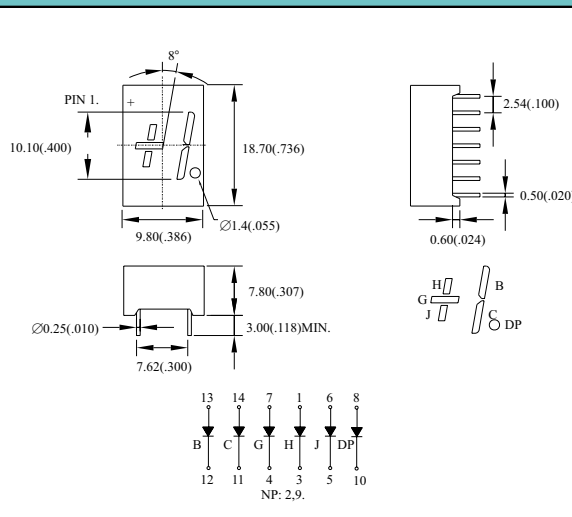




SINGLE DIGIT LED DISPLAYS

Digit Size	Part No.		Chip	Absolute Maximum Ratings					Electro-optical Data(At 10mA)			Drawing No.	
	Common Anode	Common Cathode		Material/Emitted Color	Peak Wave Length λ_p (nm)	$\Delta \lambda$ (nm)	Pd (mw)	If (mA)	Ifp (mA)	Vf (v)			Iv. Typ. Per.Seg. (mcd)
			Typ.							Max.			
0.36" Overflow Single-Digit	BF-A321RD	BF-C321RD	GaAsP/Red	655	40	80	40	200	1.7	2.0	0.6	SD-13	
	BF-A325RD	BF-C325RD	GaP/ Bright Red	700	90	40	15	50	2.2	2.5	1.2		
	BF-A325RE	BF-C325RE											
	BF-A322RD	BF-C322RD	GaP/ Green	568	30	80	30	150	2.2	2.5	3.0		
	BF-A323RD	BF-C323RD	GaAsP/GaP/ Yellow	585	35	80	30	150	2.1	2.5	2.0		
	BF-A324RD	BF-C324RD	GaAsP/GaP/ Hi-Eff.Red	635	45	80	30	150	2.0	2.5	3.0		
			GaAsP/GaP/ Orange										
	BF-A326RD	BF-C326RD	GaAlAs/ SH Super Red	660	20	80	30	150	1.7	2.5	6.0		
BF-A32DRD	BF-C32DRD	GaAlAs/ DH Super Red	660	20	80	30	150	1.7	2.5	7.0			
0.39" Single-Digit	BS-A341RD	BS-C341RD	GaAsP/Red	655	40	80	40	200	1.7	2.0	0.6	SD-14	
	BS-A345RD	BS-C345RD	GaP/ Bright Red	700	90	40	15	50	2.2	2.5	1.2		
	BS-A345RE	BS-C345RE											
	BS-A342RD	BS-C342RD	GaP/ Green	568	30	80	30	150	2.2	2.5	3.0		
	BS-A343RD	BS-C343RD	GaAsP/GaP/ Yellow	585	35	80	30	150	2.1	2.5	2.0		
	BS-A344RD	BS-C344RD	GaAsP/GaP/ Hi-Eff.Red	635	45	80	30	150	2.0	2.5	3.0		
			GaAsP/GaP/ Orange										
	BS-A346RD	BS-C346RD	GaAlAs/ SH Super Red	660	20	80	30	150	1.7	2.5	6.0		
	BS-A34DRD	BS-C34DRD	GaAlAs/ DH Super Red	660	20	80	30	150	1.7	2.5	7.0		
	BS-A341RD-A	BS-C341RD-A	GaAsP/Red	655	40	80	40	200	1.7	2.0	0.6		SD-15
	BS-A345RD-A	BS-C345RD-A	GaP/ Bright Red	700	90	40	15	50	2.2	2.5	1.2		
	BS-A345RE-A	BS-C345RE-A											
	BS-A342RD-A	BS-C342RD-A	GaP/ Green	568	30	80	30	150	2.2	2.5	3.0		
	BS-A343RD-A	BS-C343RD-A	GaAsP/GaP/ Yellow	585	35	80	30	150	2.1	2.5	2.0		
BS-A344RD-A	BS-C344RD-A	GaAsP/GaP/ Hi-Eff.Red	635	45	80	30	150	2.0	2.5	3.0			
		GaAsP/GaP/ Orange											
BS-A346RD-A	BS-C346RD-A	GaAlAs/ SH Super Red	660	20	80	30	150	1.7	2.5	6.0			
BS-A34DRD-A	BS-C34DRD-A	GaAlAs/ DH Super Red	660	20	80	30	150	1.7	2.5	7.0			
0.39" Alpha-Numeric Displays	BS-A311RD-B	BS-C311RD-B	GaAsP/Red	655	40	80	40	200	1.7	2.0	0.6	SD-16	
	BS-A315RD-B	BS-C315RD-B	GaP/ Bright Red	700	90	40	15	50	2.2	2.5	1.2		
	BS-A315RE-B	BS-C315RE-B											
	BS-A312RD-B	BS-C312RD-B	GaP/ Green	568	30	80	30	150	2.2	2.5	2.8		
	BS-A313RD-B	BS-C313RD-B	GaAsP/GaP/ Yellow	585	35	80	30	150	2.1	2.5	2.2		
	BS-A314RD-B	BS-C314RD-B	GaAsP/GaP/ Hi-Eff.Red	635	45	80	30	150	2.0	2.5	2.8		
			GaAsP/GaP/ Orange										
BS-A316RD-B	BS-C316RD-B	GaAlAs/ SH Super Red	660	20	80	30	150	1.7	2.5	5.0			
BS-A31DRD-B	BS-C31DRD-B	GaAlAs/ DH Super Red	660	20	80	30	150	1.7	2.5	10.0			
0.40" Single-Digit	BS-A401RD	BS-C401RD	GaAsP/Red	655	40	80	40	200	1.7	2.0	0.6	SD-17	
	BS-A405RD	BS-C405RD	GaP/ Bright Red	700	90	40	15	50	2.2	2.5	1.2		
	BS-A405RE	BS-C405RE											
	BS-A402RD	BS-C402RD	GaP/ Green	568	30	80	30	150	2.2	2.5	3.0		
	BS-A403RD	BS-C403RD	GaAsP/GaP/ Yellow	585	35	80	30	150	2.1	2.5	2.0		
	BS-A404RD	BS-C404RD	GaAsP/GaP/ Hi-Eff.Red	635	45	80	30	150	2.0	2.5	3.0		
			GaAsP/GaP/ Orange										
	BS-A406RD	BS-C406RD	GaAlAs/ SH Super Red	660	20	80	30	150	1.7	2.5	6.0		
BS-A40DRD	BS-C40DRD	GaAlAs/ DH Super Red	660	20	80	30	150	1.7	2.5	7.0			
0.40" Overflow Single-Digit	BF-U401RD		GaAsP/Red	655	40	80	40	200	1.7	2.0	0.6	SD-18	
	BF-U405RD		GaP/ Bright Red	700	90	40	15	50	2.2	2.5	1.2		
	BF-U405RE												
	BF-U402RD		GaP/ Green	568	30	80	30	150	2.2	2.5	3.0		
	BF-U403RD		GaAsP/GaP/ Yellow	585	35	80	30	150	2.1	2.5	2.0		
	BF-U404RD		GaAsP/GaP/ Hi-Eff.Red	635	45	80	30	150	2.0	2.5	3.0		
			GaAsP/GaP/ Orange										
	BF-U406RD		GaAlAs/ SH Super Red	660	20	80	30	150	1.7	2.5	6.0		
BF-U40DRD		GaAlAs/ DH Super Red	660	20	80	30	150	1.7	2.5	7.0			

SINGLE DIGIT LED DISPLAYS

SD-13 BF- $\frac{A}{C}$ 32xRD	SD-14 BS- $\frac{A}{C}$ 34xRD
 <p>Dimensions: 9.10(.360), 14.00(.551), 7.50(.295), 0.80(.031), 2.54(.100), 0.50(.020), 1.1(.043), 8.50(.335), 0.25(.010), 3.00(.118)MIN., 5.08(.200).</p> <p>Pinout: BF-A32xRD (1.6), BF-C32xRD (1.6). NC: 4,5,10.</p>	 <p>Dimensions: 6.20(.244), 10° angle, 10.00(.390), 12.90(.508), 9.80(.386), 0.90(.035), 2.54(.100), 0.50(.020), 6.90(.272), 0.25(.010), 3.00(.118)MIN., 7.62(.300).</p> <p>Pinout: BS-A34xRD (3.8), BS-C34xRD (3.8).</p>
SD-15 BS- $\frac{A}{C}$ 34xRD-A	SD-16 BS- $\frac{A}{C}$ 34xRD-B
 <p>Dimensions: 6.20(.244), 10° angle, 10.00(.390), 12.90(.508), 9.80(.386), 0.90(.035), 2.54(.100), 0.50(.020), 6.90(.272), 0.25(.010), 3.00(.118)MIN., 7.62(.300).</p> <p>Pinout: BS-A34xRD-A (1.6), BS-C34xRD-A (1.6).</p>	 <p>Dimensions: 6.3(.248), 10° angle, 10.0(.390), 23.6(.929), 9.9(.389), 0.90(.035), 2.54(.10) x 8 = 20.32(.80), 7.0(.276), 4.5(.177)TYP., 7.62(.300).</p> <p>Pinout: BS-A34xRD-B (4.13, 1.7).</p>
SD-17 BS- $\frac{A}{C}$ 40xRD	SD-18 BF-U40xRD
 <p>Dimensions: 5.40(.213), 8° angle, 10.16(.400), 18.70(.736), 9.80(.386), 2.54(.100), 0.50(.020), 5.10(.201), 3.00(.118)MIN., 7.62(.300).</p> <p>Pinout: BS-A40xxx (3.14), BS-C40xxx (4.12). NP: 3,5,10,11.</p>	 <p>Dimensions: 8° angle, 10.10(.400), 18.70(.736), 9.80(.386), 1.4(.055), 2.54(.100), 0.50(.020), 0.60(.024), 7.80(.307), 3.00(.118)MIN., 7.62(.300).</p> <p>Pinout: BF-U40xRD (NP: 2,9).</p>

NOTES: 1.All Dimensions are in millimeters(inches).
 2.Tolerance is $\pm 0.25\text{mm}(.010")$.
 3.Specifications are subject to change without notice.
 4.NP:No Pin. 5.NC:No Connect.