

# Series 800 "Mighty Mouse" with UN Mating Thread Hermetic Receptacles 800-013



Series 800 Hermetic

**Series 800 Hermetic Receptacles** feature 304L stainless steel shells, fused vitreous glass insulators and Alloy 52 iron alloy contacts.

**Solder Cup Contacts** for wire attachment, or **PC Tail Contacts** for attachment to flexible or rigid circuits.

**1 X 10<sup>-6</sup> cc/second** maximum helium leak rate.

**Three Shell Styles:** solder mount, jam nut or square flange.

## HOW TO ORDER

Sample Part Number

**800-013**

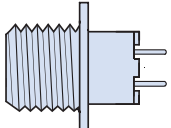
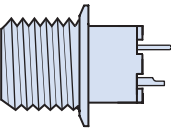
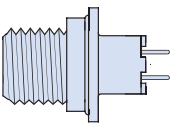
**-07**

**Z1**

**7-10**

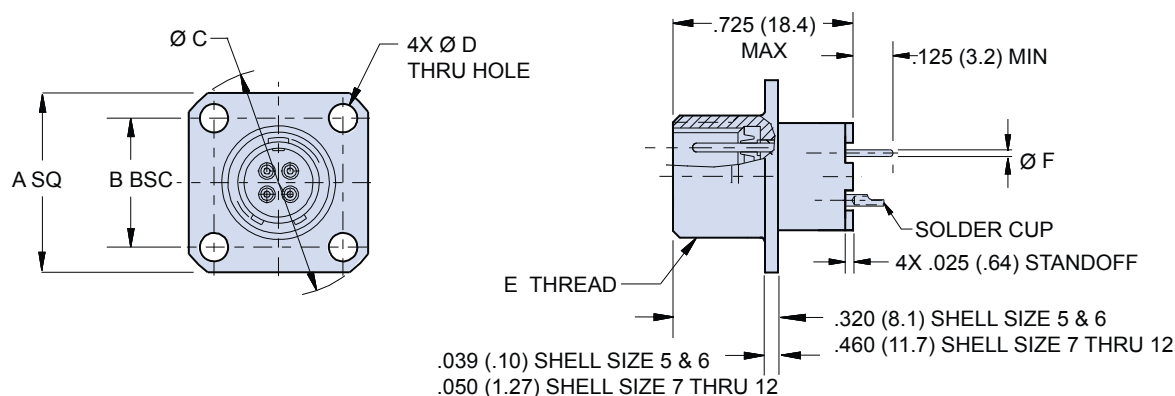
**P**

**Z**

Series	Shell Style	Shell Material / Finish	Shell Size- Insert Arrangement	Contact Type	Shell Key Position				
<b>800-013</b> Hermetic Receptacle	 <b>-02</b> Square Flange	<b>Z1</b> Stainless Steel / Passivated  <b>ZL</b> Stainless Steel / Nickel Plated	No. of Contacts				<b>P</b> Pin, Solder Cup  <b>C</b> Pin, PC Tail	<b>N</b> Normal  <b>X</b> Pos. X  <b>Y</b> Pos. Y  <b>Z</b> Pos. Z	
			Arr.	#23	#20	#16			#12
			<b>5-3</b>	3					
			<b>6-1</b>			1			
			<b>6-4</b>	4					
			<b>6-7</b>	7					
			<b>7-1</b>						1
			<b>7-10</b>	10					
			<b>8-2</b>			2			
			<b>8-13</b>	13					
	<b>8-200</b>	4	2						
	<b>9-4</b>			4					
	<b>9-19</b>	19							
	<b>9-200</b>	4		2					
	<b>9-201</b>	8	2						
	<b>10-5</b>			5					
	<b>10-26</b>	26							
	<b>10-200</b>	12			1				
	<b>10-201</b>	4			2				
	<b>10-202</b>	8		2					
<b>12-2</b>				2					
<b>12-3</b>				3					
<b>12-7</b>			7						
<b>12-37</b>	37								
<b>12-200</b>	6			2					
<b>12-201</b>	10			2					
	 <b>-03</b> Solder Mount								
		 <b>-07</b> Jam Nut							

Dimensions in inches (millimeters) and are subject to change without notice.

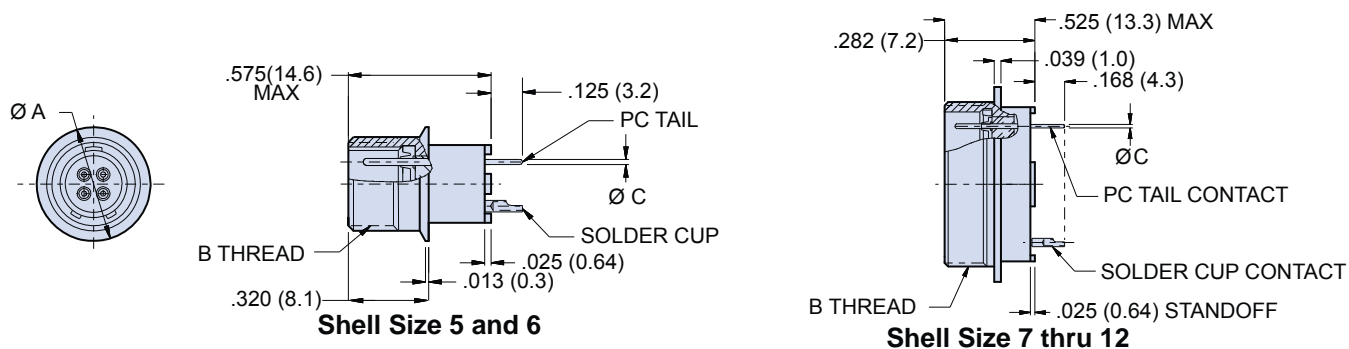
## 800-013-02 Square Flange Dimensions



## 800-013-02 SQUARE FLANGE HERMETIC RECEPTACLE DIMENSIONS

Shell Size	A SQ		B		Ø C		Ø D		E Threads Mating	Ø F PC TAIL DIA. ± .002 (0.05)
	In.	mm.	In.	mm.	In.	mm.	In.	mm.		
5	.527	13.39	.363	9.22	.680	17.27	.094	2.39	.3125-28 UN-2A	Size #22
6	.588	14.92	.423	10.74	.750	19.05	.094	2.39	.3750-28 UN-2A	.020 (0.51)
7	.650	16.51	.483	12.27	.830	21.08	.130	3.30	.4375-28 UNEF-2A	Size #20
8	.710	18.03	.542	13.77	.938	23.83	.130	3.30	.5000-32 UN-2A	.026 (0.66)
9	.938	23.83	.719	18.26	1.250	31.75	.130	3.30	.5625-32 UN-2A	Size #16
10	.938	23.83	.719	18.26	1.250	31.75	.130	3.30	.6250-32 UN-2A	.062 (1.57)
12	1.031	26.19	.812	20.62	1.375	34.93	.130	3.30	.7500-28 UN-2A	Size #12
										.094 (2.34)

## 800-013-03 Solder Mount Dimensions



## DIMENSIONS

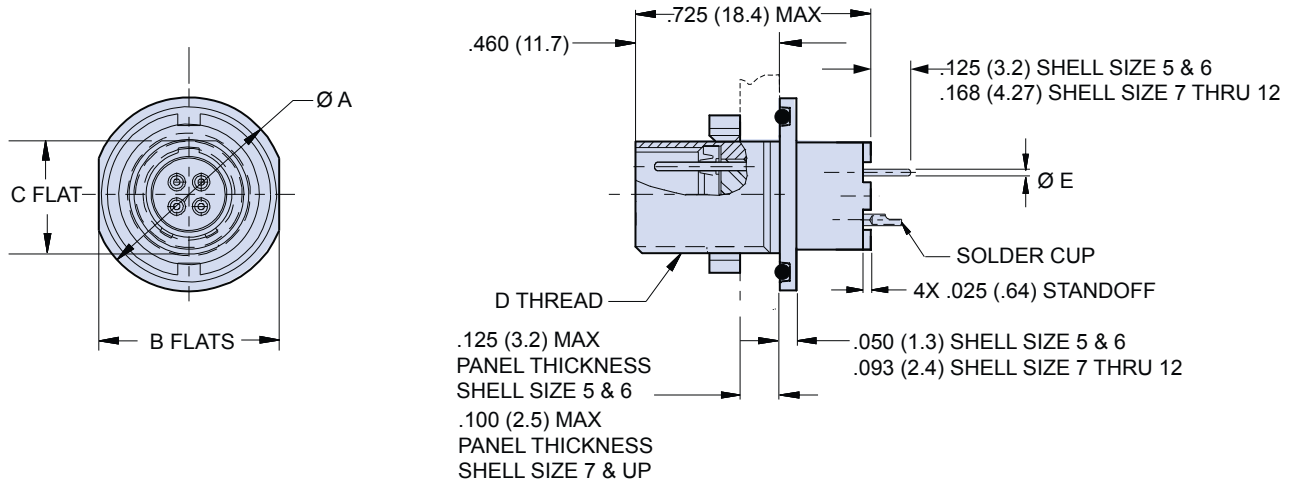
Shell Size	Ø A		B Threads	Ø C PC TAIL DIA. ± .002 (0.05)
	In.	mm.		
5	.400	10.16	.3125-28 UN-2A	Size #22
6	.455	11.56	.3750-28 UN-2A	.020 (0.51)
7	.520	13.21	.4375-28 UNEF-2A	Size #20
8	.650	16.51	.5000-32 UN-2A	.026 (0.66)
9	.764	19.41	.5625-32 UN-2A	Size #16
10	.775	19.69	.6250-32 UN-2A	.062 (1.57)
12	.858	21.79	.7500-28 UN-2A	Size #12
				.094 (2.34)

Dimensions in inches (millimeters) and are subject to change without notice.

CAGE Code 06324

Printed in U.S.A.

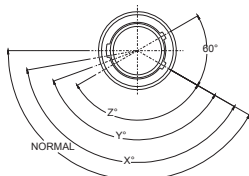
# Series 800 "Mighty Mouse" with UN Mating Thread Hermetic Connector Dimensions 800-013-07 Jam Nut



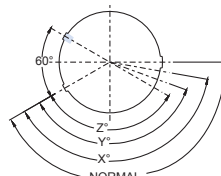
## DIMENSIONS

Shell Size	Ø A		Ø B		C		D Threads Mating	Ø E PC TAIL DIA. ± .002 (0.05)
	In.	mm.	In.	mm.	In.	mm.		
5	.541	13.74	.500	12.70	.285	7.24	.3125-28 UN-2A	<b>Size #22</b>
6	.610	15.49	.562	14.27	.352	8.94	.3750-28 UN-2A	.020 (0.51)
7	.670	17.02	.635	16.13	.411	10.44	.4375-28 UNEF-2A	<b>Size #20</b>
8	.775	19.69	.735	18.67	.473	12.01	.5000-32 UN-2A	.026 (0.66)
9	.875	22.23	.806	20.47	.530	13.46	.5625-32 UN-2A	<b>Size #16</b>
10	.980	24.89	.940	23.88	.604	15.34	.6250-32 UN-2A	.062 (1.57)
12	1.062	26.97	.986	25.04	.712	18.08	.7500-28 UN-2A	<b>Size #12</b>
								.094 (2.34)

## SERIES 800 KEY POSITIONS



Plug

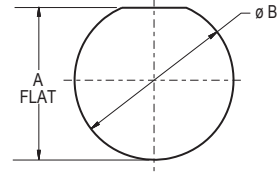


Receptacle

Key Position	Key Rotation
Normal (N)	150°
X	140°
Y	130°
Z	120°

Shell size 5 and 6: master key is located at top dead center for normal (N) position. Shell size 7 thru 12: master key is rotated 90° from TDC.

## SERIES 800 PANEL CUTOUTS



Shell Size	A Flat		Ø B	
	In.	mm.	In.	mm.
5	.302 / .298	7.67 / 7.57	.318	8.08
6	.365 / .361	9.27 / 9.17	.386	9.80
7	.424 / .420	10.77 / 10.67	.449	11.40
8	.486 / .482	12.34 / 12.24	.510	12.95
9	.543 / .539	13.79 / 13.69	.574	14.58
10	.617 / .613	15.67 / 15.57	.635	16.12
12	.725 / .721	18.42 / 18.31	.760	19.30

Dimensions in inches (millimeters) and are subject to change without notice.