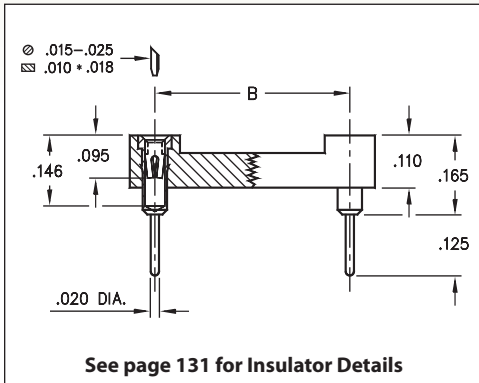
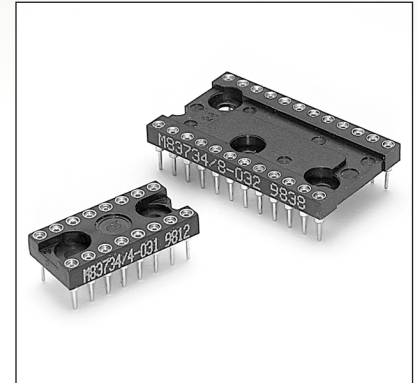


DUAL-IN-LINE SOCKETS

SERIES 210...101 • MIL-DTL-83734 APPROVED, SOLDER TAIL • CLOSED FRAME



- Sockets are XY stackable
- Socket pins feature closed end construction eliminating any solder wicking problems
- Packaged in tubes compatible with automatic insertion equipment
- Hi-Rel, 4-finger BeCu #30 contact is rated at 3 amps. See page 253 for details
- Series 210 uses MM #1001 pins. See page 165 for details
- Insulators are high temperature thermoplastic, suitable for all soldering operations
- For Electrical, Mechanical and Environmental Data, see page 264 for details



Total number of pins				Quantity per tube	ORDERING INFORMATION		
	A	B	C		Mill-Max Part Number	Military Part Number	
6	0.3	0.3	0.4	67	210-XX-306-41-101000	M83734/1-YYY	
8	0.4	0.3	0.4	50	210-XX-308-41-101000	M83734/2-YYY	
14	0.7	0.3	0.4	28	210-XX-314-41-101000	M83734/3-YYY	
16	0.8	0.3	0.4	25	210-XX-316-41-101000	M83734/4-YYY	
18	0.9	0.3	0.4	22	210-XX-318-41-101000	M83734/5-YYY	
20	1.0	0.3	0.4	20	210-XX-320-41-101000	M83734/13-YYY	
22	1.1	0.4	0.5	18	210-XX-422-41-101000	M83734/6-YYY	
24	1.2	0.6	0.7	16	210-XX-624-41-101000	M83734/8-YYY	
28	1.4	0.6	0.7	14	210-XX-628-41-101000	M83734/7-YYY	
32	1.6	0.6	0.7	10	210-XX-632-41-101000	M83734/17-YYY	
36	1.8	0.6	0.7	11	210-XX-636-41-101000	M83734/9-YYY	
40	2.0	0.6	0.7	8	210-XX-640-41-101000	M83734/10-YYY	
64	3.2	0.9	1.0	6	210-XX-964-41-101000	M83734/15-YYY	
<div style="border: 1px solid black; border-radius: 50%; padding: 5px; display: inline-block;"> XX=Plating Code See Below </div>					SEE PAGE 103 FOR COMPLETE MIL-DTL-83734 QPL		
SPECIFY MILL-MAX PLATING CODE XX =					33	83	88
FOR MILITARY PLATING CODE YYY =					031	032	033
(6 PIN ONLY) YYY =					025	026	027
(32 PIN ONLY) YYY =					013	014	015
Sleeve (Pin)					30 μ" min. Au	300 μ" Sn/Pb	300 μ" Sn/Pb
Contact (Clip)					30 μ" min. Au	30 μ" min. Au	100 μ" Sn/Pb

