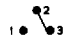



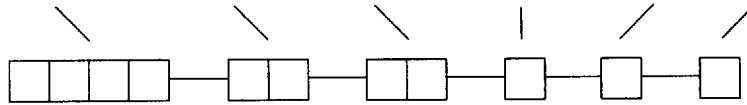
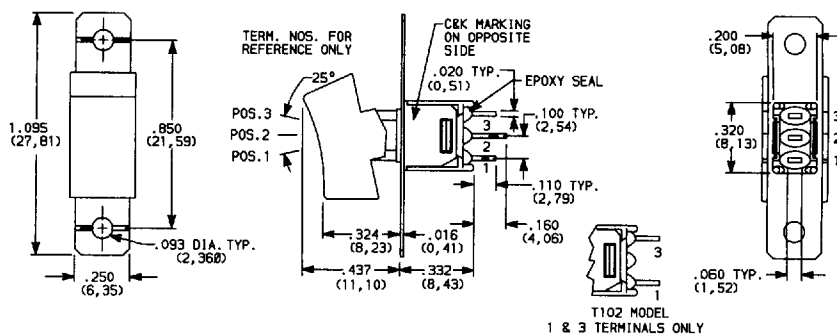
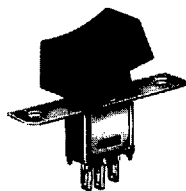
 models available, see page C-8.

Easy Build-A-Switch:

Below is a complete listing of available options for T SERIES TINY ROCKER SWITCHES. Build-A-Switch allows you to mix and match options to create the switch you need—simply select desired option from each category. Switches with standard options are shown on page C-8; all available options are shown and described on pages C-8 thru C-11. When building a part number, some ordering format boxes may not be filled. Dashes, hyphens or spaces in the part number are not significant, and are shown for clarity only. Complete HOW TO ORDER information is at the end of this section, page C-11. Hardware and accessories are available separately, see catalog section H. All models have epoxy terminal seal, and are compatible with 'bottom-wash' PC board cleaning methods.

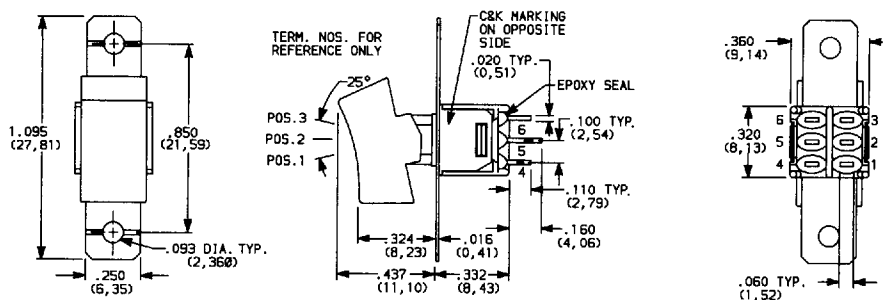
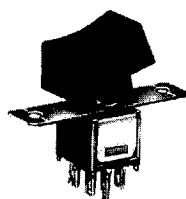
SWITCH FUNCTION	ACTUATOR	TERMINATIONS	CONTACT MATERIAL	SEAL	ACTUATOR COLOR
			Silver	 Epoxy	Black
					
T101	J1	A	B	E	1
T102	J6	AV	G		2
T103		C	K		3
T105		V3	L		4
T107		W	M		5
T108		Z	Q		6
T201					7
T203					8
T205					9
T207					
T208					
T211					

SWITCHES WITH STANDARD OPTIONS



Part No. Shown: T101J1ZQE2

SPST and SPDT



Part No. Shown: T201J1ZQE2

DPDT

SWITCH FUNCTION

NO. POLES	MODEL† NO.	SWITCH FUNCTION			CONNECTED TERMINALS			SCHEMATIC
		POS. 1	POS. 2	POS. 3	POS. 1	POS. 2	POS. 3	
SP	T101	ON	NONE	ON				
	T103	ON	OFF	ON				
	T105	MOM.	OFF	MOM.	2-3	OPEN	2-1	
	T107	ON	OFF	MOM.				
	T108	ON	NONE	MOM.				
	T102	OFF	NONE	ON	OPEN	N/A	3-1	
DP	T201	ON	NONE	ON				
	T203	ON	OFF	ON				
	T205	MOM.	OFF	MOM.	2-3,5-6	OPEN	2-1,5-4	
	T207	ON	OFF	MOM.				
	T208	ON	NONE	MOM.				
	T211**	ON	ON	ON	2-3,5-6	2-3,5-4	2-1,5-4	

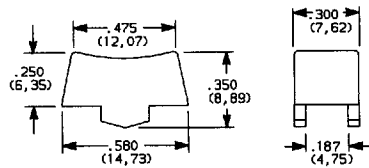
MOM. = MOMENTARY

† All models with all options when ordered with G, L, M or Q contact material. See AGENCY APPROVALS, page VIII.

** Wiring for 3-way switch, see page X.

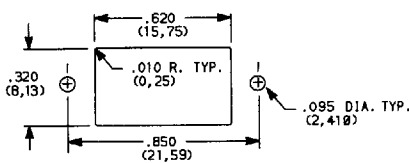


J1

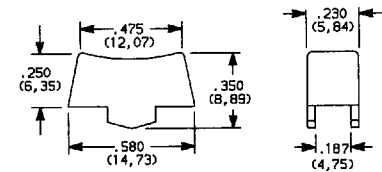


Std. with all models except T10X with A terminations.

PANEL MOUNTING—J1

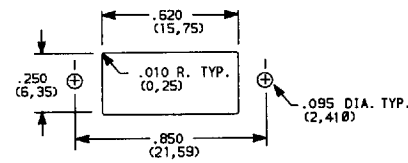


J6



Std. on all T10X models with A terminations.

PANEL MOUNTING—J6



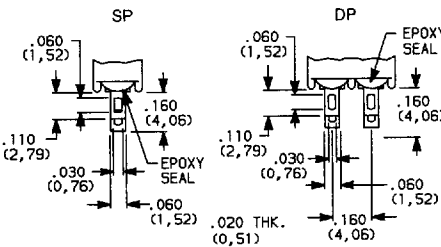
ACTUATOR COLOR

OPTION CODE	ACTUATOR COLOR
1	WHITE
2	BLACK (std.)
3	RED
4	ORANGE
5	YELLOW
6	GREEN
7	BLUE
8	BROWN
9	GRAY

Select actuator color from chart. Place option code in appropriate box of ordering format. Finish: matte. Custom actuator markings and legends available, consult factory.

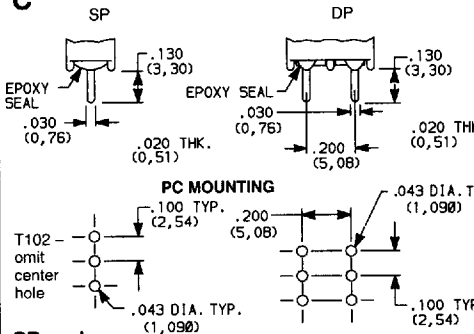
TERMINATIONS

Z (STD.)



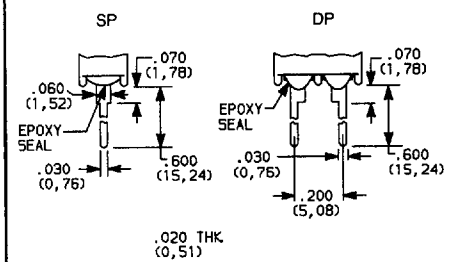
SP and DP Q contact material std. Not available with K, L, or M contact material.

C



SP and DP Q contact material std.

W WIRE WRAP



SP and DP B contact material std.

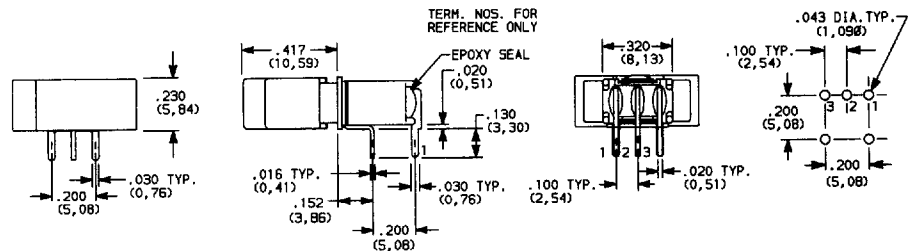
Models with Z, C or W terminations supplied with panel mounting bracket standard, as shown on page C-8.

A

SPDT



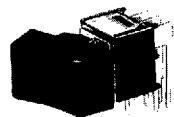
Actuator shown in pos.1. B contact material std. J6 actuator std. only on T10X models with A terminations. Not avail. with T102 model.



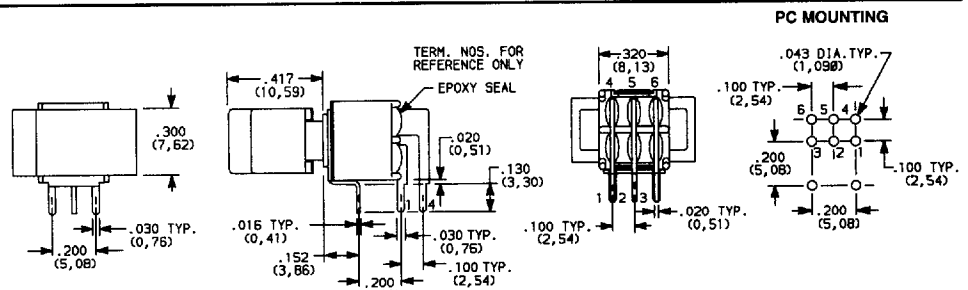
Part No. Shown: T101J6ABE2

A

DPDT



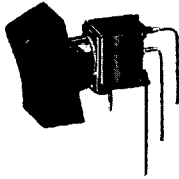
Actuator shown in pos.1. B contact material std. J1 actuator std. on T2XX models with A terminations.



Part No. Shown: T201J1ABE2

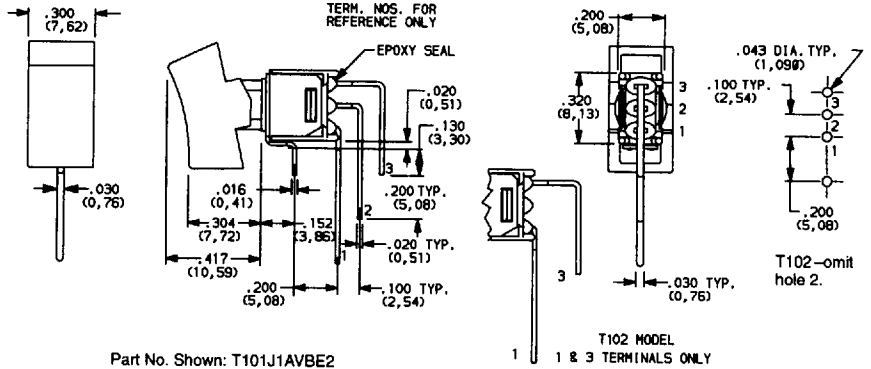
TERMINATIONS

AV



SPST and SPDT

Term. bend radii and lead-in mfg. option.
Actuator shown in pos.1.
B contact material std.

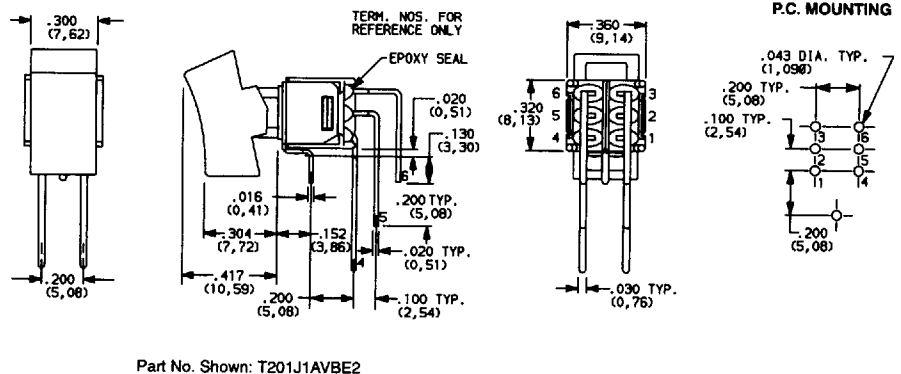


AV

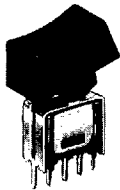


DPDT

Term. bend radii and lead-in mfg. option.
Actuator shown in pos.1.
B contact material std.

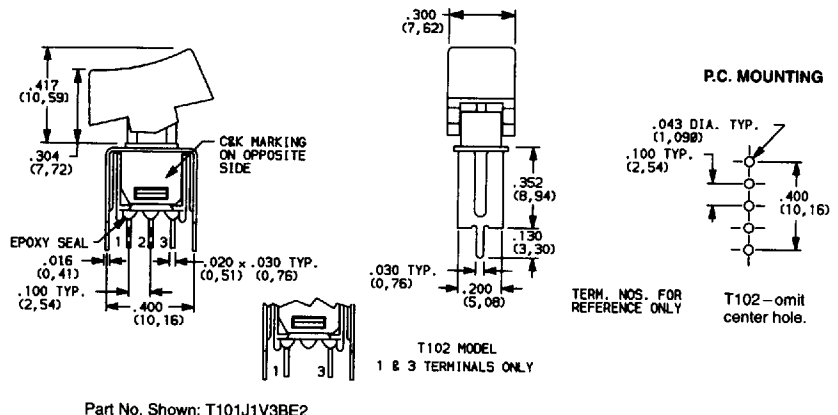


V3

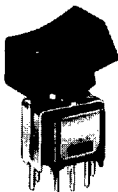


SPST and SPDT

Actuator shown in pos.1.
B contact material std.

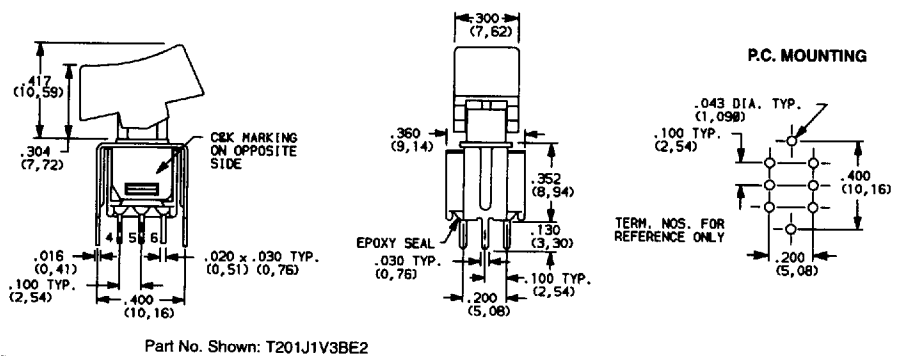


V3



DPDT

Actuator shown in pos.1.
B contact material std.




CONTACT MATERIAL

OPTION CODE	CONTACT MATERIAL	TERMINAL PLATING	RATINGS	
B	GOLD ¹	GOLD ¹	LOW LEVEL / DRY CIRCUIT	0.4 VA MAX. @ 20 V AC OR DC MAX.
K		TIN-LEAD ⁶		
Q	SILVER ^{4,5}	SILVER ⁵	POWER	TX01 MODELS: 3 AMPS @ 120 V AC OR 28 V DC. ALL OTHER MODELS: 2 AMPS @ 120 V AC OR 28 V DC.
M		TIN-LEAD ⁶		
G	GOLD OVER SILVER ^{2,3}	GOLD ³	LOW LEVEL / DRY CIRCUIT OR POWER	TX01 MODELS: 0.4 VA MAX @ 20 V AC OR DC MAX. OR 3 AMPS @ 120 V AC OR 28 V DC. ALL OTHER MODELS: 0.4 VA MAX @ 20 V AC OR DC MAX. OR 2 AMPS @ 120 V AC OR 28 V DC.
L		TIN-LEAD ⁶		

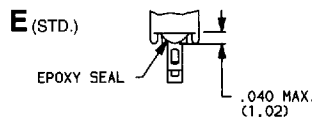
CONTACT MATERIAL / APPLICATION RECOMMENDATIONS — SEE CHART, PAGE X.

- ¹ CONTACTS & TERMINALS: Copper alloy, with gold plate over nickel plate.
- ² END CONTACTS: Coin silver, with gold plate over nickel plate.
- ³ CENTER CONTACTS & ALL TERMINALS: Copper alloy, with gold plate over nickel plate.
- ⁴ END CONTACTS: Coin silver, silver plated.
- ⁵ CENTER CONTACT & ALL TERMINALS: Copper alloy, silver plated.
- ⁶ TERMINALS: Copper alloy, with tin-lead alloy over nickel plate.

All models  with all options when ordered with G, L, M or Q contact material. See pages C-8 and VIII.

B contact material standard with A, AV, V3, W terminations.
Q contact material standard with Z, C terminations.
K, L, M, contact materials not available with Z terminations.

SEAL



HOW TO ORDER

All available T SERIES TINY ROCKER SWITCH options are listed on page C-7, and are described on pages C-8 thru C-11. Switches with standard options are shown on page C-8. When selecting options and building a part number, some ordering format boxes may not be filled. Dashes, hyphens or spaces in the part number are not significant, and are shown for clarity only.

All models have epoxy terminal seal and are compatible with 'bottom-wash' PC board cleaning methods.  models available, see page C-8.

Hardware: two each—mounting screws, nuts, lockwashers and standoffs for 1/8 in. thick panel are supplied standard on switches with panel mounting bracket. Hardware for other panel thicknesses also available. Hardware and accessories are available separately, see catalog section H.

SPECIFICATIONS

- CONTACT RATING: TX01 MODELS: 3 AMPS @ 120 V AC or 28 V DC. All other models: 2 AMPS @ 120 V AC or 28 V DC (Q contact material).
- ELECTRICAL LIFE: TX01 MODELS: 60,000 make-and-break cycles at full load. All other models, 30,000 cycles.
- CONTACT RESISTANCE: Below 20 milliohms typ. initial @ 2-4 V DC, 100 mA, for both silver and gold plated contacts.
- INSULATION RESISTANCE: 10⁹ ohms min.
- DIELECTRIC STRENGTH: 1000 V RMS min. @ sea level.
- OPERATING TEMPERATURE: -30°C to 85°C.
- SOLDERABILITY: Per MIL-STD-202F method 208D, or EIA RS-186E method 9 (1 hour steam aging).

MATERIALS

- CASE: Glass filled nylon 6/6, flame retardant, heat stabilized, or diallyl phthalate (DAP), (UL 94V-0).
- ACTUATOR: Nylon, black standard.
- BUSHING: Brass, nickel plated.
- HOUSING: Stainless steel.
- SWITCH SUPPORT: Brass, tin plated.
- MOUNTING BRACKET: Stainless steel.
- END CONTACTS: Coin silver, silver plated (Q contact material).
- CENTER CONTACTS & TERMINALS: Copper alloy, silver plated (Q contact material).
- TERMINAL SEAL: Epoxy.
- HARDWARE: Nut, Screw, & Lockwasher—Stainless steel.
Standoff—Nylon standard Aluminum available, consult factory.

NOTE: Specifications and materials listed above are general specifications. Specifications available for specific and custom switches, consult factory.