

Standard crimp contacts

Contact Size	Pin contacts		Socket contacts	
	Proprietary No	Military No	Proprietary No	Military No
12	900005	M39029/58-365	900015	M39029/57-359
16	900000	M39029/58-364	900010	M39029/57-358
20	900001	M39029/58-363	900011	M39029/57-357
22D	900004	M39029/58-360	900014	M39029/57-354

Above part numbers include standard 500 – cycle finish designation – gold plating over suitable underplate in accordance with MIL-C-39029.

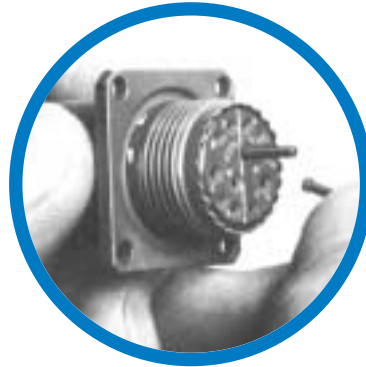
Standard PCB contacts

Contact Size	Pin contacts	Socket contacts (connector ordered with deviation F423)
20	900241	consult us
22D	900245-91	900255-91

For other contacts (PCB, optical termini, thermocouple), please refer to data sheet E114.

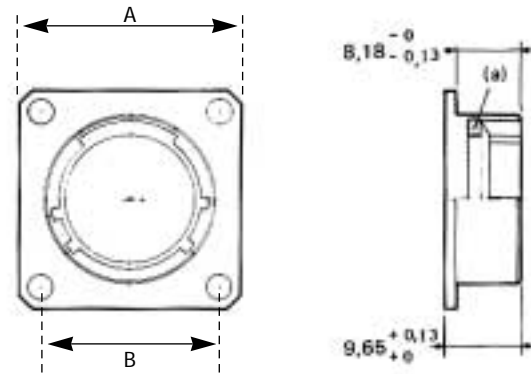
Sealing plugs

Contact Size	Proprietary No	Military No
12	900023	MS27488-12
16	900020	MS27488-16
20	900021	MS27488-20
22D	900022	MS27488-22



Dummy receptacles

Shell Size	A	B
8	20.63	15.09
10	23.83	18.26
12	26.19	20.63
14	28.58	23.01
16	30.96	24.61
18	33.33	26.97
20	36.53	29.36
22	39.68	31.75
24	48.88	34.93



(a): seal

Dummy receptacle	SE	00	JT	08	014
Shell type	00: derived from the JT wall mounting receptacle				
Connector series					
Shell size	08/10/12/14/16/18/20/22/24				
Finish	014: Olive drab cadmium plated 023: Electroless nickel plated				