

# LANCAM B Family

## APPLICATION BENEFITS

- Low-cost LANCAM family in a space-saving LQFP package
- Fast speed allows processing of both DA and SA within 450 ns, equivalent to 138 ports of 10 Base-T or 13 ports of 100 Base-T Ethernet
- Full CAM features allow all operations to be masked on a bit-by-bit basis
- Powerful, LANCAM A/L compatible instruction set for any list processing need
- Shiftable Comparand and Mask registers assist in proximate matching algorithms
- Cascadable to any practical length with no performance penalties
- Industrial temperature grades for harsh environments
- Dual footprint connections to conserve board space
- 3.3 Volt for lower power systems

## DISTINCTIVE CHARACTERISTICS

- High density CMOS Content Addressable Memory
- 1K (1480B), 2K (2480B) , 4K (4480B), 8K (8480B) words
- 64-bit per word memory organization
- 16-bit I/O
- Fast 50 ns compare speed
- Dual configuration register set for rapid context switching
- 16-bit CAM/RAM segments with MUSIC's patented partitioning
- /MA and /MM output flags to enable faster system performance
- Readable Device ID
- Selectable faster operating mode with no wait states after a no-match
- Validity bit setting accessible from the Status register
- Single cycle reset for Segment Control register
- 3.3 Volt operation
- 44- and 64-pin LQFP package (also available in Lead-Free package)

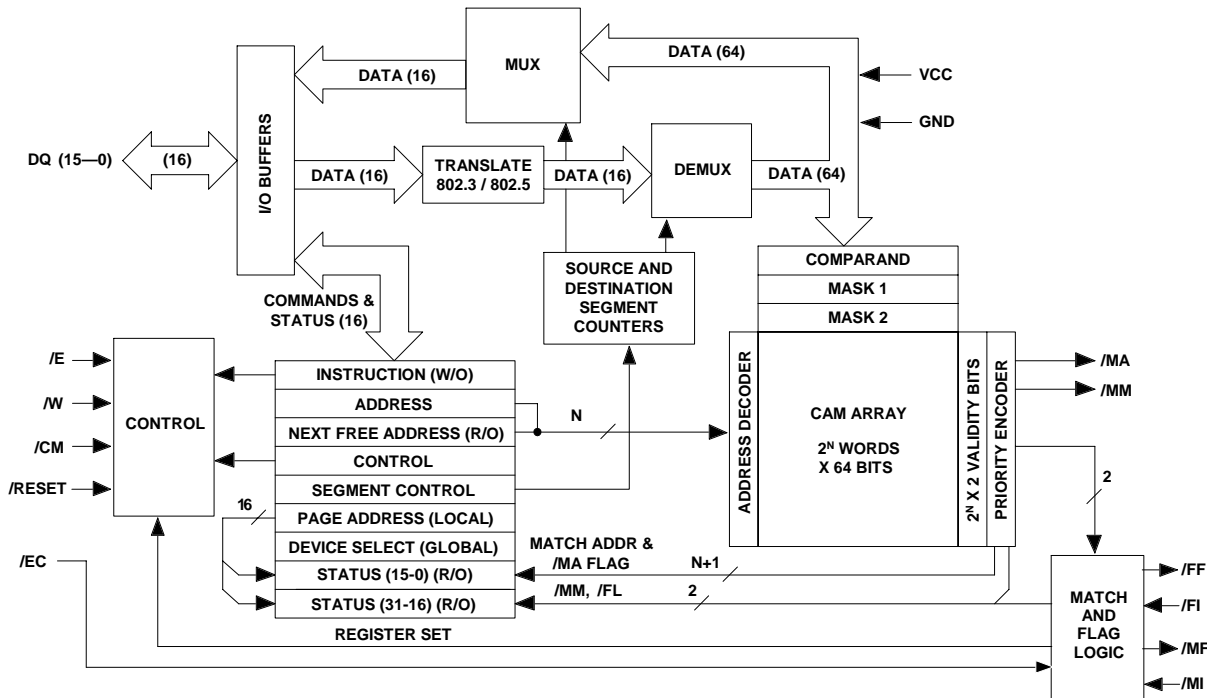


Figure 1: LANCAM B Family Block Diagram

---

## GENERAL DESCRIPTION

The LANCAM consists of various depths of 64-bit Content Addressable Memories (CAMs), with a 16-bit wide interface.

CAMs, also known as associative memories, operate in the converse way to random access memories (RAM). In RAM, the input to the device is an address and the output is the data stored at that address. In CAM, the input is a data sample and the output is a flag to indicate a match and the address of the matching data. As a result, CAM searches large databases for matching data in a short, constant time period, no matter how many entries are in

the database. The ability to search data words up to 64 bits wide allows large address spaces to be searched rapidly and efficiently. A patented architecture links each CAM entry to associated data and makes this data available for use after a successful compare operation.

The MUSIC LANCAMs are ideal for address filtering and translation applications in LAN switches and routers. The LANCAMs are also well suited to encryption, database accelerators, and image processing.

---

## OPERATIONAL OVERVIEW

To use the LANCAM, the user loads the data into the Comparand register, which is automatically compared to all valid CAM locations. The device then indicates whether or not one or more of the valid CAM locations contains data that matches the target data. The status of each CAM location is determined by two validity bits at each memory location. The two bits are encoded to render four validity conditions: Valid, Empty, Skip, and RAM, shown in Status Register Bits on page 24 (bits 29:28). The memory can be partitioned into CAM and associated RAM segments on 16-bit boundaries, but by using one of the two available Mask registers, the CAM/RAM partitioning can be set at any arbitrary size between zero and 64 bits.

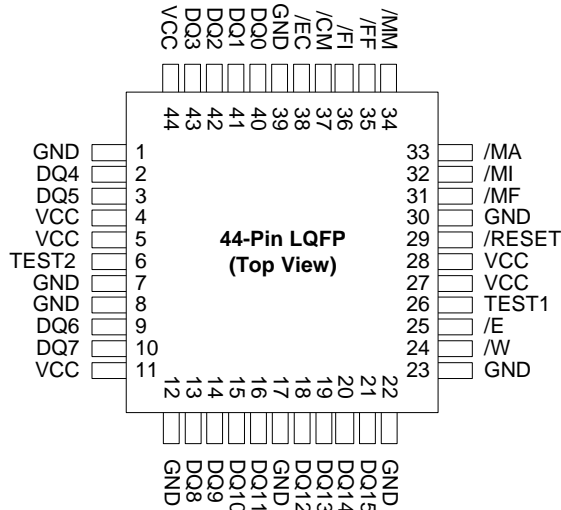
The LANCAM's internal data path is 64 bits wide for rapid internal comparison and data movement. Vertical cascading of additional LANCAMs in a daisy chain fashion extends the CAM memory depth for large databases. Cascading requires no external logic. Loading

data to the Control, Comparand, and Mask registers automatically triggers a compare. Compares also may be initiated by a command to the device. Associated RAM data is available immediately after a successful compare operation. The Status register reports the results of compares including all flags and addresses. Two Mask registers are available and can be used in two different ways: to mask comparisons or to mask data writes. The RAM validity type allows additional masks to be stored in the CAM array where they may be retrieved rapidly.

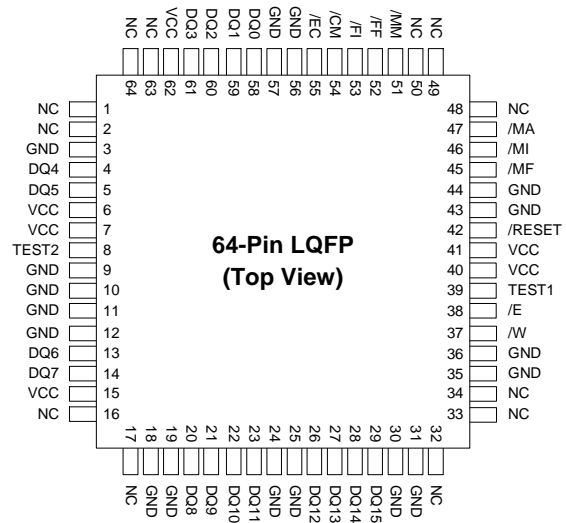
A simple four-wire control interface and commands loaded into the Instruction decoder control the device. A powerful instruction set increases the control flexibility and minimizes software overhead. Additionally, dedicated pins for match and multiple-match flags enhance performance when the device is controlled by a state machine. These and other features make the LANCAM a powerful associative memory that drastically reduces search delays.

## PIN DESCRIPTIONS

*Note: All signals are implemented in CMOS technology with TTL levels. Signal names that start with a slash (“/”) are active LOW. Inputs should never be left floating. The CAM architecture draws large currents during compare operations, mandating the use of good layout and bypassing techniques. Refer to the DC Electrical Characteristics on page 25 for more information.*



**Figure 2: 44-Pin LQFP**



**Figure 3: 64-Pin LQFP**

### /E (Chip Enable, Input, TTL)

The /E input enables the device while LOW. The falling edge registers the control signals /W, /CM, and /EC. The rising edge locks the daisy chain, turns off the DQ pins, and clocks the Destination and Source Segment counters. The four cycle types enabled by /E are shown in Table 1.

**Table 1: I/O Cycles**

/W	/CM	Cycle Type
LOW	LOW	Command Write Cycle
LOW	HIGH	Data Write Cycle
HIGH	LOW	Command Read Cycle
HIGH	HIGH	Data Read Cycle

### /W (Write Enable, Input, TTL)

The /W input selects the direction of data flow during a device cycle. /W LOW selects a Write cycle and /W HIGH selects a Read cycle.

### /CM (Data/Command Select, Input, TTL)

The /CM input selects whether the input signals on DQ15–0 are data or commands. /CM LOW selects Command cycles and /CM HIGH selects Data cycles.

### /EC (Enable Daisy Chain, Input, TTL)

The /EC signal performs two functions. The /EC input enables the /MF output to show the results of a comparison, as shown in Figure 9 on page 14. If /EC is LOW at the falling edge of /E in a given cycle, the /MF output is enabled. Otherwise, the /MF output is held HIGH.

The /EC signal also enables the /MF–/MI daisy chain, which serves to select the device with the highest-priority match in a string of LANCAMs. Table 4 explains the effect of the /EC signal on a device with or without a match in both Standard and Enhanced modes. /EC must be HIGH during initialization.

### DQ15–0 (Data Bus, I/O, TTL)

The DQ15–0 lines convey data, commands, and status to and from the LANCAM. /W and /CM control the direction and nature of the information that flows to or from the device. When /E is HIGH, DQ15–0 go to HIGH-Z.

### /MF (Match Flag, Output, TTL)

The /MF output goes LOW when one or more valid matches occur during a compare cycle. /MF becomes valid after /E goes HIGH on the cycle that enables the daisy chain (on the first cycle that /EC is registered LOW by the previous falling edge of /E; see Figure 9 on page 14). In a daisy chain, valid match(es) in higher priority devices are passed from the /MI input to /MF. If the daisy chain is enabled but the match flag is disabled in the Control register, the /MF output only depends on the /MI input of the device (/MF=/MI). /MF is HIGH if there is no match or when the daisy chain is disabled (/E goes HIGH when /EC was HIGH on the previous falling edge of /E). The System Match flag is the /MF pin of the last device in the daisy chain. /MF is reset when the active configuration register set is changed.

**/MI (Match Input, Input, TTL)**

The /MI input prioritizes devices in vertically cascaded systems. It is connected to the /MF output of the previous device in the daisy chain. The /MI pin on the first device in the chain must be tied HIGH.

**/MA (Device Match Flag, Output, TTL)**

The /MA output is LOW when one or more valid matches occur during the current or the last previous compare cycle. The /MA output is not qualified by /EC or /MI, and reflects the match flag from that specific device's Status register. /MA is reset when the active register set is changed.

**/MM (Device Multiple Match Flag, Output, TTL)**

The /MM output is LOW when more than one valid match occurs during the current or the last previous compare cycle. The /MM output is not qualified by /EC or /MI, and reflects the multiple match flag from that specific device's Status register. /MM is reset when the active register set is changed.

**/FF (Full Flag, Output, TTL)**

If enabled in the Control register, the /FF output goes LOW when no empty memory locations exist within the device (and in the daisy chain above the device as indicated by the /FI pin). The System Full flag is the /FF pin of the last device in the daisy chain, and the Next Free address resides in the device with /FI LOW and /FF HIGH. If disabled in the Control register, the /FF output only depends on the /FI input (/FF = /FI).

**/FI (Full Input, Input, TTL)**

The /FI input generates a CAM-Memory-System-Full indication in vertically cascaded systems. It is connected to the /FF output of the previous device in the daisy chain. The /FI pin on the first device in a chain must be tied LOW.

**/RESET (Reset, Input, TTL)**

/RESET must be driven LOW to place the device in a known state before operation, which resets the device to the conditions shown in Table 3 on page 11. The /RESET pin should be driven by TTL levels, not directly by an RC timeout. /E must be kept HIGH during /RESET.

**TEST1, TEST2 (Test, Input, TTL)**

These pins enable MUSIC production test modes that are not usable in an application. They should be connected to ground, either directly or through a pull-down resistor, or they may be left unconnected. These pins may not be implemented on all versions of these products.

**VCC, GND (Positive Power Supply, Ground)**

These pins are the power supply connections to the LANCAM. VCC must meet the voltage supply requirements in the Operating Conditions section relative to the GND pins, which are at 0 volts (system reference potential), for correct operation of the device. All the ground and power pins must be connected to their respective planes with adequate bulk and high frequency bypassing capacitors in close proximity to the device.

## FUNCTIONAL DESCRIPTION

The LANCAM is a Content Addressable Memory (CAM) with 16-bit I/O for network address filtering and translation, virtual memory, data compression, caching, and table lookup applications. The memory consists of static CAM, organized in 64-bit data fields. Each data field can be partitioned into a CAM and a RAM subfield on 16-bit boundaries. The contents of the memory can be randomly accessed or associatively accessed by the use of a compare. During automatic comparison cycles, data in the Comparand register is automatically compared with the “Valid” entries in the memory array. The Device ID can be read using a TCO PS instruction (see Persistent Source Register Bits on page 24).

### Data Input and Output Characteristics

The data inputs and outputs of the LANCAM are multiplexed for data and instructions over a 16-bit I/O bus. Internally, data is handled on a 64-bit basis, since the Comparand register, the Mask registers, and each memory entry are 64 bits wide. Memory entries are globally configurable into CAM and RAM segments on 16-bit boundaries, as described in US Patent 5,383,146 assigned to MUSIC Semiconductors. Seven different CAM/RAM splits are possible, with the CAM width going from one to four segments, and the remaining RAM width going from three to zero segments. Finer resolution on compare width is possible by invoking a Mask register during a compare, which allows global masking on a bit basis. The CAM subfield contains the associative data, which enters into compares, while the RAM subfield contains the associated data, which is not compared. In LAN bridges, the RAM subfield could hold, for example, port-address and aging information related to the destination or source address information held in the CAM subfield of a given location. In a translation application, the CAM field could hold the dictionary entries, while the RAM field holds the translations, with almost instantaneous response.

### Validity Bits

Each entry has two validity bits associated with it to define its particular type: Empty, Valid, Skip, or RAM. When data is written to the active Comparand register, and the active Segment Control register reaches its terminal count, the contents of the Comparand register are automatically compared with the CAM portion of all the valid entries in the memory array. For added versatility, the Comparand register can be barrel-shifted right or left one bit at a time. A Compare instruction then can be used to force another compare between the Comparand register and the CAM portion of memory entries of any one of the four validity types. After a Read or Move from Memory operation, the validity bits of the location read or moved are copied into the Status register, where they can be read using Command Read cycles.

### Data Movement (Read/Write)

Data can be moved from one of the data registers (CR, MR1, or MR2) to a memory location that is based on the results of the last comparison (Highest-Priority Match or Next Free), or to an absolute address, or to the location pointed to by the active Address register. Data can also be written directly to the memory from the DQ bus using any of the above addressing modes. The Address register may be directly loaded and may be set to increment or decrement, allowing DMA-type reading or writing from memory.

### Configuration Register Sets

Two sets of configuration registers (Control, Segment Control, Address, Mask Register 1, and Persistent Source and Destination) are provided to permit rapid context switching between foreground and background activities. The currently active set of configuration registers controls writes, reads, moves, and compares. The foreground set typically would be pre-loaded with values useful for comparing input data, often called filtering, while the background set would be pre-loaded with values useful for housekeeping activities such as purging old entries. Moving from the foreground task of filtering to the background task of purging can be done by issuing a single instruction to change the current set of configuration registers. The match condition of the device is reset whenever the active register set is changed.

### Control Register

The active Control register determines the operating conditions within the device. Conditions set by this register’s contents are reset, enable or disable Match flag, enable or disable Full flag, CAM/RAM partitioning, disable or select masking conditions, disable or select auto-incrementing or auto-decrementing the Address register, and select Standard or Enhanced mode. The active Segment Control register contains separate counters to control the writing of 16-bit data segments to the selected persistent destination, and to control the reading of 16-bit data segments from the selected persistent source.

### Mask Registers

There are two active Mask registers at any one time, which can be selected to mask comparisons or data writes. Mask Register 1 has both a foreground and background mode to support rapid context switching. Mask Register 2 does not have this mode, but can be shifted left or right one bit at a time. For masking comparisons, data stored in the active selected Mask register determines which bits of the comparand are compared against the valid contents of the memory. If a bit is set HIGH in the Mask register, the same bit position in the Comparand register becomes a “don’t

care” for the purpose of the comparison with all the memory locations. During a Data Write cycle or a MOV instruction, data in the specified active Mask register can also determine which bits in the destination are updated. If a bit is HIGH in the Mask register, the corresponding bit of the destination is unchanged.

### Highest Priority/Multiple Match

The match line associated with each memory address is fed into a priority encoder where multiple responses are resolved, and the address of the highest-priority responder (the lowest numerical match address) is generated. In LAN applications, a multiple response might indicate an error. In other applications the existence of multiple responders may be valid.

### Input Control Signals and Commands

Four input control signals and commands loaded into an instruction decoder control the LANCAM. Two of the four input control signals determine the cycle type. The control signals tell the device whether the data on the I/O bus represents data or a command, and is input or output. Commands are decoded by instruction logic and control moves, forced compares, validity bit manipulations, and the data path within the device. Registers (Control, Segment Control, Address, Next Free Address, etc.) are accessed using Temporary Command Override instructions. The data path from the DQ bus to/from data resources (comparand, masks, and memory) within the device are set until changed by Select Persistent Source and Destination instructions.

After a Compare cycle (caused by either a data write to the Comparand or Mask registers, a write to the Control register, or a forced compare), the Status register contains the address of the Highest-Priority Matching location in that device, concatenated with its page address, along with flags indicating internal match, multiple match, and full. When the Status register is read with a Command Read cycle, the device with the Highest-Priority Match responds, outputting the System Match address to the DQ bus. The internal Match (/MA) and Multiple Match (/MM) flags are also output on pins. Another set of flags (/MF and /FF) that are qualified by the match and full flags of previous devices in the system also are available directly on output pins, and are independently daisy-chained to provide System Match and Full flags in vertically cascaded LANCAM arrays. In such arrays, if no match occurs during a comparison, read access to the memory and all the registers except the Next Free register is denied to prevent device contention. In a daisy chain, all devices respond to Command and Data Write cycles, depending on the conditions shown in Table 4 unless the operation involves the Highest-Priority Match address or the Next Free address; in which case, only the specific device

having the Highest-Priority match or the Next Free address responds.

### Cascading LANCAMs

A Page Address register in each device simplifies vertical expansion in systems using more than one LANCAM. This register is loaded with a specific device address during system initialization, which then serves as the higher-order address bits. A Device Select register allows the user to target a specific device within a vertically cascaded system by setting it equal to the Page Address Register value, or to address all the devices in a string at the same time by setting the Device Select value to FFFFH.

Figure 4 shows expansion using a daisy chain. Note that system flags are generated without the need for external logic. The Page Address register allows each device in the vertically cascaded chain to supply its own address in the event of a match, eliminating the need for an external priority encoder to calculate the complete Match address at the expense of the ripple-through time to resolve the Highest-Priority match. The Full flag daisy-chaining allows Associative writes using a Move to Next Free Address instruction, which does not need a supplied address.

Figure 5 shows an external PLD implementation of a simple priority encoder that eliminates the daisy chain ripple-through delays for systems requiring maximum performance from many CAMs.

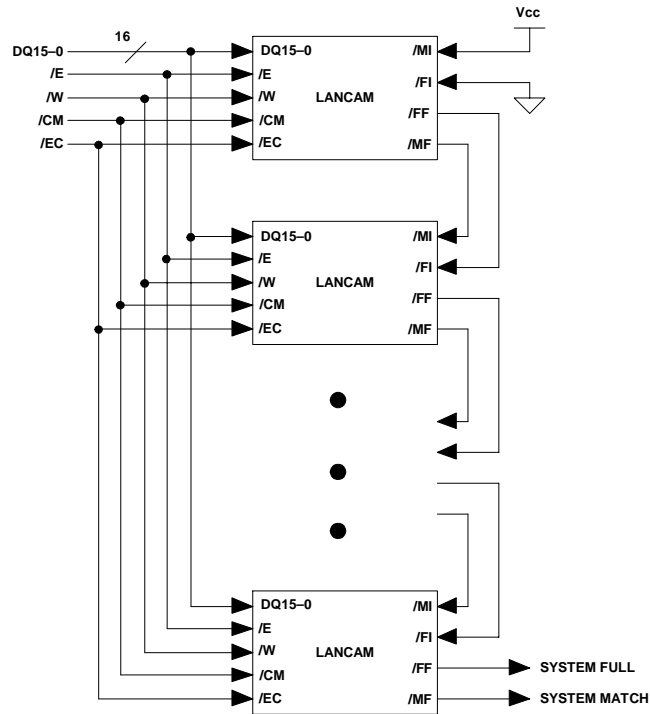


Figure 4: Vertical Cascading

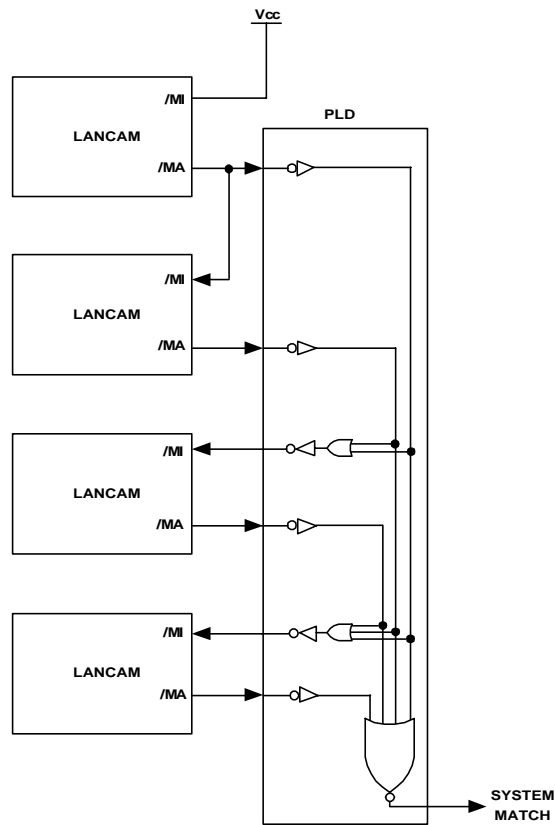


Figure 5: External Prioritizing

## OPERATIONAL CHARACTERISTICS

*Note:* Throughout the following, “aaaH” represents a three-digit hexadecimal number “aaa,” while “bbB” represents a two-digit binary number “bb.” All memory locations are written to or read from in 16-bit segments. Segment 0 corresponds to the lowest order bits (bits 15–0) and Segment 3 corresponds to the highest order bits (bits 63–48).

### Control Bus

Refer to Figure 1 on page 1 for the following discussion. The inputs Chip Enable (/E), Write Enable (/W), Command Enable (/CM), and Enable Daisy Chain (/EC) are the primary control mechanism for the LANCAM. The /EC input of the Control bus enables the /MF Match flag output when LOW and controls the daisy chain operation. Instructions are the secondary control mechanism. Logical combinations of the Control Bus inputs, coupled with the execution of Select Persistent Source (SPS), Select Persistent Destination (SPD), and Temporary Command Override (TCO) instructions allow the I/O operations to and from the DQ15–0 lines to the internal resources, as shown in Table 2.

The Comparand register is the default source and destination for Data Read and Write cycles. This default state can be overridden independently by executing a Select Persistent Source or Select Persistent Destination instruction, selecting a different source or destination for data. Subsequent Data Read or Data Write cycles access that source or destination until another SPS or SPD instruction is executed. The currently selected persistent source or destination can be read back through a TCO PS or PD instruction. The sources and destinations available for persistent access are those resources on the 64-bit bus: Comparand register, Mask Register 1, Mask Register 2, and the Memory array.

The default destination for Command Write cycles is the Instruction decoder, while the default source for Command Read cycles is the Status register.

Temporary Command Override (TCO) instructions provide access to the Control register, the Page Address register, the Segment Control register, the Address register, the Next Free Address register, and Device Select register. TCO instructions are active only for one Command Read or Write cycle after being loaded into the Instruction decoder.

The data and control interfaces to the LANCAM are synchronous. During a Write cycle, the Control and Data inputs are registered by the falling edge of /E. When writing to the persistently selected data destination, the Destination Segment counter is clocked by the rising edge of /E. During a Read cycle, the Control inputs are registered by the falling edge of /E, and the Data outputs are enabled while /E is LOW. When reading from the persistently selected data source, the Source Segment counter is clocked by the rising edge of /E.

### The Register Set

The Control, Segment Control, Address, Mask Register 1, and the Persistent Source and Destination registers are duplicated, with one set termed the Foreground set and the other the Background set. The active set is chosen by issuing Select Foreground Registers or Select Background Registers instructions. By default, the Foreground set is active after a reset. Having two alternate sets of registers that determine the device configuration allows for a rapid return to a foreground network filtering task from a background housekeeping task.

Writing a value to the Control register or writing data to the last segment of the Comparand or either Mask register causes an automatic comparison to occur between the contents of the Comparand register and the words in the CAM segments of the memory marked valid, masked by MR1 or MR2 if selected in the Control register.

### Instruction Decoder

The Instruction decoder is the write-only decode logic for instructions and is the default destination for Command Write cycles. If an instruction’s Address Field flag (bit 11) is set to a 1, it is a two-cycle instruction that is not executed immediately. For the next cycle only, the data from a Command Write cycle is loaded into the Address register and the instruction then completes at that address. The Address register then increments, decrements, or stays at the same value depending on the setting of Control Register bits CT3 and CT2. If the Address Field flag is not set, the memory access occurs at the address currently contained in the Address register.

### Control Register (CT)

The Control register contains a number of switches that configure the LANCAM, as shown in Control Register Bits on page 23. It is written or read using a TCO CT instruction. If bit 15 of the value written during a TCO CT is a 0, the device is reset (and all other bits are ignored). See Table 3 on page 11 for the Reset states. Bit 15 always reads back as a 0. A write to the Control register causes an automatic compare to occur (except in the case of a reset). Either the Foreground or Background Control register is active, depending on which register set has been selected, and only the active Control register is written to or read from.

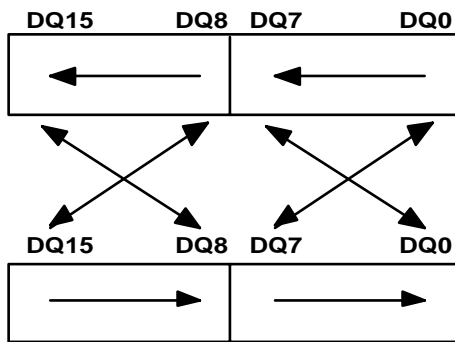
If the Match Flag is disabled through bit 14 and bit 13, the internal match condition, /MA(int), used to determine a daisy-chained device’s response is forced HIGH as shown in Table 4 so that Case 6 is not possible, effectively



removing the device from the daisy chain. With the Match Flag disabled, /MF=/MI and operations directed to Highest-Priority Match locations are ignored. Normal operation of the device is with the /MF enabled. The Match Flag Enable field has no effect on the /MA or /MM output pins or Status Register bits. These bits always reflect the true state of the device.

If the Full Flag is disabled through bit 12 and bit 11, the device behaves as if it is full and ignores instructions to Next Free address. Also, writes to the Page Address register are disabled. All other instructions operate normally. Additionally, with the /FF disabled, /FF=/FI. Normal operation of the device is with the /FF enabled. The Full Flag Enable field has no effect on the /FL Status Register bit. This bit always reflects the true state of the device.

The IEEE Translation control at bit 10 and bit 9 can be used to enable the translation hardware for writes to 64-bit resources in the device. When translation is enabled, the bits are reordered as shown in Figure 6.



**Figure 6: IEEE 802.3/802.5 Format Mapping**

Control Register bits 8–6 control the CAM/RAM partitioning. The CAM portion of each word may be sized from a full 64 bits down to 16 bits in 16-bit increments. The RAM portion can be at either end of the 64-bit word.

Compare masks may be selected by bit 5 and bit 4. Mask Register 1, Mask Register 2, or neither may be selected to mask compare operations. The address register behavior is controlled by bit 3 and bit 2, and may be set to increment, decrement, or neither after a memory access. Bit 1 and bit 0 set the operating mode: Standard or Enhanced as shown in Table 4 on page 12. The device resets to the Standard mode, and follows the operating responses of the original MU9C1480 in Table 4. When operating in Enhanced mode, it is not necessary to unlock the daisy chain with a NOP instruction before command or data writes after a non-matching compare, as required in Standard mode.

### Segment Control Register (SC)

The Segment Control register, as shown in Segment Control Register Bits on page 23, is accessed using a TCO SC instruction. On read cycles, D15, D10, D5, and D2 always read back as 0s. Either the Foreground or Background Segment Control register is active, depending on which register set is selected, and only the active Segment Control register is written to or read from.

The Segment Control register contains dual independent incrementing counters with limits, one for data reads and one for data writes. These counters control which 16-bit segment of the 64-bit internal resource is accessed during a particular data cycle on the 16-bit data bus. The actual destination for data writes and source for data reads (called the persistent destination and source) are set independently with SPD and SPS instructions, respectively.

Each of the two counters consists of a start limit, an end limit, and the current count value that points to the segment to be accessed on the next data cycle. The current count value can be set to any segment, even if it is outside the range set by the start and end limits. The counters count up from the current count value to the end limit and then jump back to the start limit. If the current count is greater than the end limit, the current count value increments to three, rolls over to zero, continues incrementing until the end limit is reached, and then jumps back to the start limit.

If a sequence of data writes or reads is interrupted, the Segment Control register can be reset to its initial start limit values by using an RSC instruction. After the LANCAM is reset, both Source and Destination counters are set to count from Segment 0 to Segment 3 with an initial value of 0.

**Table 2: Input/Output Operations**

Cycle Type	/E	/C M	/ W	I/O Status	SPS	SPD	TC O	Operation	Notes
Cmd Write	L	L	L	IN				Load Instruction decoder	1
				IN			3	Load Address register	2,3
				IN			3	Load Control register	3
				IN			3	Load Page Address register	3
				IN			3	Load Segment Control register	3
				IN			3	Load Device Select register	3
				IN				Deselected	10
Cmd Read	L	L	H	OUT			3	Read Next Free Address register	3
				OUT			3	Read Address register	3
				OUT				Read Status Register bits 15–0	4
				OUT				Read Status Register bits 31–16	5
				OUT			3	Read Control register	3
				OUT			3	Read Page Address register	3
				OUT			3	Read Segment Control register	3
				OUT			3	Read Device Select register	3
				OUT			3	Read Current Persistent Source or Destination	3,11
				HIGH-Z				Deselected	10
Data Write	L	H	L	IN		3		Load Comparand register	6,9
				IN		3		Load Mask Register 1	7,9
				IN		3		Load Mask Register 2	7,9
				IN		3		Write Memory Array at address	7,9
				IN		3		Write Memory Array at Next Free address	7,9
				IN		3		Write Memory Array at Highest-Priority match	7,9
				IN				Deselected	10
Data Read	L	H	H	OUT	3			Read Comparand register	6, 9
				OUT	3			Read Mask Register 1	8, 9
				OUT	3			Read Mask Register 2	8, 9
				OUT	3			Read Memory Array at address	8, 9
				OUT	3			Read Memory Array at Highest-Priority match	7, 8
				HIGH-Z				Deselected	10
	H	X	X	HIGH-Z				Deselected	

**Notes:**

1. Default Command Write cycle destination (does not require a TCO instruction).
2. Default Command Write cycle destination (no TCO instruction required) if Address Field flag was set in bit 11 of the instruction loaded in the previous cycle.
3. Loaded or read on the Command Write or Read cycle immediately following a TCO instruction. Active for one Command Write or Read cycle only. NFA register can not be loaded this way.
4. Default Command Read cycle source (does not require a TCO instruction).
5. Default Command Read cycle source (does not require a TCO instruction) if the previous cycle was a Command Read of Status Register Bits 15–0. If next cycle is not a Command Read cycle, any subsequent Command Read cycle accesses the Status Register Bits 15–0.
6. Default persistent source and destination on power-up and after Reset. If other resources were sources or destinations, SPD CR or SPS CR restores the Comparand register as the destination or source.
7. Selected by executing a Select Persistent Destination instruction.
8. Selected by executing a Select Persistent Source instruction.
9. Access may require multiple 16-bit Read or Write cycles. The Segment Control register controls the selection of the desired 16-bit segment(s) by establishing the Segment counters' start and end limits and count values.
10. Device is deselected if Device Select register setting does not equal Page Address register setting, unless the Device Select Register is set to FFFFH, which allows only write access to the device. (Writes to the Device Select register are always active.) Device may also be deselected under locked daisy chain conditions as shown in Table 4.
11. A Command Read cycle after a TCO PS or TCO PD reads back the Instruction decoder bits that were last set to select a persistent source or destination. The TCO PS instruction also reads back the Device ID.

**Table 3: Device Control State After Reset**

CAM Status	/RESET Condition
Validity bits at all memory locations	Skip = 0, Empty = 1 (empty)
Match and Full Flag outputs	Enabled
IEEE 802.3–802.5 Input Translation	Not translated
CAM/RAM Partitioning	64 bits CAM, 0 bits RAM
Comparison Masking	Disabled
Address register auto-increment or auto-decrement	Disabled
Source and Destination Segment counters count ranges	00B to 11B; loaded with 00B
Address register and Next Free Address register	Contain all 0s
Page Address and Device Select registers	Contain all 0s (no change on software reset)
Control register after reset (including CT15)	Contains 0008H
Persistent Destination for Command writes	Instruction decoder
Persistent Source for Command reads	Status register
Persistent Source and Destination for Data reads and writes	Comparand register
Operating Mode	Standard
Configuration Register set	Foreground

**Page Address Register (PA)**

The Page Address register is loaded using a TCO PA instruction followed by a Command Write cycle of a user selected 16-bit value (not FFFFH). The entry in the PA register gives a unique address to the different devices in a daisy chain. In a daisy chain, the PA value of each device is loaded using the SFF instruction to advance to the next device, shown in the Setting Page Address Register Values on page 16. A software reset (using the Control register) does not affect the Page Address register.

**Device Select Register (DS)**

The Device Select register selects a specific (target) device. The TCO DS instruction sets the 16-bit DS register to the value of the following Command Write cycle. The DS register can be read. A device is selected when its DS is equal to its PA value. In a daisy chain, setting DS = FFFFH selects all devices. However, in this case, the ability to read information out of the device is restricted as shown in Table 4. A software reset (using the Control register) does not affect the Device Select register.

**Address Register (AR)**

The Address register points to the CAM memory location to be operated upon when M@[AR] or M@aaaH is part of the instruction. It can be loaded directly by using a TCO AR instruction or indirectly by using an instruction requiring an absolute address, such as MOV aaaH,CR,V. After being loaded, the Address register value is the next memory access referencing the Address register. A reset sets the Address register to zero.

Control Register bits CT3 and CT2 set the Address register to automatically increment or decrement (or not change) during sequences of Command or Data cycles. The Address register changes after executing an instruction that includes M@[AR] or M@aaaH, or after a data access to the end limit segment (as set in the Segment Control register) when the persistent source or destination is M@[AR] or M@aaaH.

Either the Foreground or Background Address register is active, depending on which register set is selected, and only the active Address register is written to or read from.

**Next Free Address Register (NF)**

The LANCAM automatically stores the address of the first empty memory location in the Next Free Address register, which is then used as a memory address pointer for M@NF operations. The Next Free Address register, shown in Next Free Address Bits on page 24, can be read using a TCO NF instruction. By taking /EC LOW during the TCO NF instruction cycle, only the device with /FI LOW and /FF HIGH outputs the contents of its Next Free Address register, giving the Next Free address in a system of daisy-chained devices. The Next Free address may be read from a specific device in the chain by setting the Device Select register to the value of the desired device's Page address and leaving /EC HIGH. The Full Flag daisy chain causes only the device whose /FI input is LOW and /FF output HIGH to respond to an instruction using the Next Free address. After a reset, the Next Free Address register is set to zero.

**Table 4: Standard and Enhanced Mode Device Select Response**

Standard Mode								
Case	Internal /EC(int)	Internal /MA(int)	External /MI	Device Select Register	Command Write <sup>1</sup>	Data Write	Command Read	Data Read
1	1	X	X	DS = FFFFH	YES <sup>3</sup>	YES <sup>4</sup>	NO	NO
2	1	X	X	DS = PA	YES <sup>3</sup>	YES <sup>4</sup>	YES	YES
3	1	X	X	DS ≠ FFFFH and DS ≠ PA	NO	NO	NO	NO
4	0	X	0	X	NO	NO	NO <sup>5</sup>	NO
5	0	1	1	X	NO	NO	NO <sup>5</sup>	NO
6 <sup>2</sup>	0	0	1	X	YES <sup>3</sup>	YES <sup>4</sup>	YES <sup>5</sup>	YES
Enhanced Mode								
Case	Internal /EC(int)	Internal /MA(int)	External /MI	Device Select Register	Command Write <sup>1</sup>	Data Write	Command Read	Data Read
1	1	X	X	DS = FFFFH	YES <sup>3</sup>	YES <sup>4</sup>	NO	NO
2	1	X	X	DS = PA	YES <sup>3</sup>	YES <sup>4</sup>	YES	YES
3	1	X	X	DS ≠ FFFFH and DS ≠ PA	NO	NO	NO	NO
4	0	0	0	X	YES <sup>3,6</sup>	YES <sup>3,7</sup>	NO <sup>5</sup>	NO
5	0	1	X	X	YES <sup>3,6</sup>	YES <sup>3,7</sup>	NO <sup>5</sup>	NO
6 <sup>2</sup>	0	0	1	X	YES <sup>3</sup>	YES <sup>4</sup>	YES <sup>5</sup>	YES

**Notes:**

## 1. Exceptions are:

- A) A write to the Device Select register is always active in all devices;
- B) A write to the Page Address register is active in the device with /FI LOW and /FF HIGH; and
- C) The Set Full Flag (SFF) instruction is active in the device with /FI LOW and /FF HIGH.

## 2. If /MF is disabled in the Control register, Internal /MA is forced HIGH preventing a Case 6 response.

## 3. This is NO for a MOV instruction involving Memory at Next Free address if /FI is HIGH or the device is full.

## 4. This is NO if the Persistent Destination is Memory at Next Free address and /FI is HIGH or the device is full.

## 5. For a Command read following a TCO NF instruction, this is YES if the device contains the first empty location in a daisy chain (i.e., /FI LOW and /FF HIGH) and NO if it does not.

## 6. This is NO for a MOV or VBC instruction involving Memory at Highest-Priority match.

## 7. This is NO if the Persistent Destination is Memory at Highest-Priority match.

**Status Register**

The 32-bit Status register, shown in Status Register Bits on page 24, is the default source for Command Read cycles. Bit 31 (internal Full flag) goes LOW if the particular device has no empty memory locations. Bit 30 is the internal Multiple Match flag, which goes LOW if a Multiple match was detected. Bit 29 and Bit 28 are the Validity bits, which reflect the validity of the last memory location read. After a reset, the Validity bits read 11 until a read or move from memory has occurred. The rest of the Status register down to bit 1 contains the Page address of the device and the address of the Highest-Priority match. After a reset or a no-match condition, the match address bits are all 1s. Bit 0 is the internal Match flag, which goes LOW if a match was found in this particular device.

**Comparand Register (CR)**

The 64-bit Comparand register is the default destination for data writes and reads, using the Segment Control register to select which 16-bit segment of the Comparand register is to be loaded or read out. The persistent source and destination for data writes and reads can be changed to the Mask registers or memory by SPS and SPD instructions. During an automatic or forced compare, the Comparand register is simultaneously compared against the CAM portion of all memory locations with the correct validity condition. Automatic compares always compare against valid memory locations, while forced compares, using CMP instructions, can compare against memory locations tagged with any specific validity condition.

The Comparand register may be shifted one bit at a time to the right or left by issuing a Shift Right or Shift Left instruction, with the right and left limits for the wrap-around determined by the CAM/RAM partitioning

set in the Control register. During shift rights, bits shifted off the LSB of the CAM partition reappear at the MSB of the CAM partition. Likewise, bits shifted off the MSB of the CAM partition reappear at the LSB during shift lefts.

### Mask Registers (MR1, MR2)

The Mask registers can be used in two different ways: either to mask compares or to mask data writes and moves. Either Mask register can be selected in the Control register to mask every compare, or selected by instructions to participate in data writes or moves to and from Memory. If a bit in the selected Mask register is set to a 0, the corresponding bit in the Comparand register enters into a masked compare operation. If a Mask bit is a 1, the corresponding bit in the Comparand register does not enter into a masked compare operation. Bits set to 0 in the Mask register cause corresponding bits in the destination register or memory location to be updated when masking data writes or moves, while a bit set to 1 prevents that bit in the destination from being changed.

Either the Foreground or Background MR1 can be set active, but after a reset, the Foreground MR1 is active by default. MR2 incorporates a sliding mask, where the data can be replicated one bit at a time to the right or left with no wrap-around by issuing a Shift Right or Shift Left instruction. The right and left limits are determined by the CAM/RAM partitioning set in the Control register. For a Shift Right the upper limit bit is replicated to the next lower bit, while for a Shift Left the lower limit bit is replicated to the next higher bit.

## The Memory Array

### Memory Organization

The Memory array is organized into 64-bit words with each word having an additional two validity bits. By default, all words are configured to be 64 CAM cells. However, bits 8–6 of the Control register can divide each word into a CAM field and a RAM field. The RAM field can be assigned to the least-significant or most-significant portion of each entry.

The CAM/RAM partitioning is allowed on 16-bit boundaries, permitting selection of the configuration shown in Control Register Bits on page 23, bits 8–6 (e.g., “001” sets the 48 MSBs to CAM and the 16 LSBs to RAM). Memory Array bits designated as RAM can be used to store and retrieve data associated with the CAM content at the same memory location.

### Memory Access

There are two general ways to get data into and out of the Memory array: directly or by moving the data by means of the Comparand or Mask registers.

The first way, through direct reads or writes, is set up by issuing a Set Persistent Destination (SPD) or Set Persistent Source (SPS) command. The addresses for the direct access can be supplied directly; supplied from the Address register, supplied from the Next Free Address register, or supplied as the Highest-Priority Match address. Additionally, all the direct writes can be masked by either Mask register.

The second way is to move data by means of the Comparand or Mask registers. This is accomplished by issuing Data Move commands (MOV). Moves using the Comparand register can also be masked by either of the Mask registers.

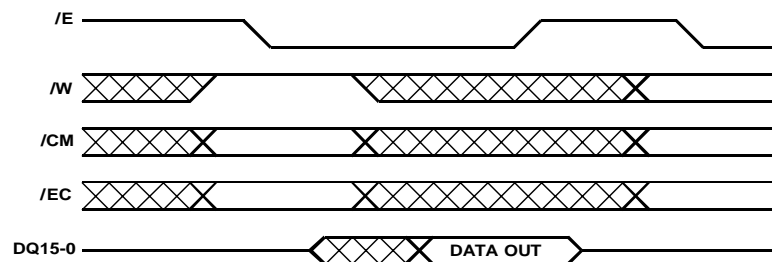


Figure 7: Read Cycle

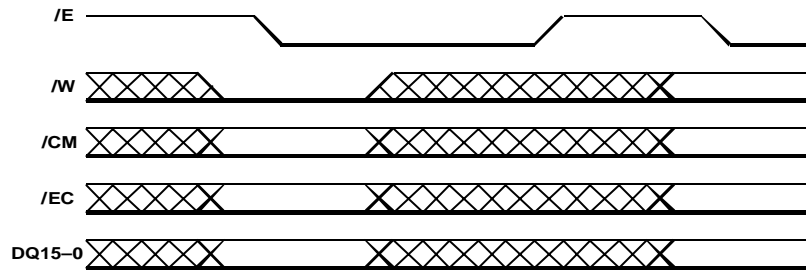


Figure 8: Write Cycle

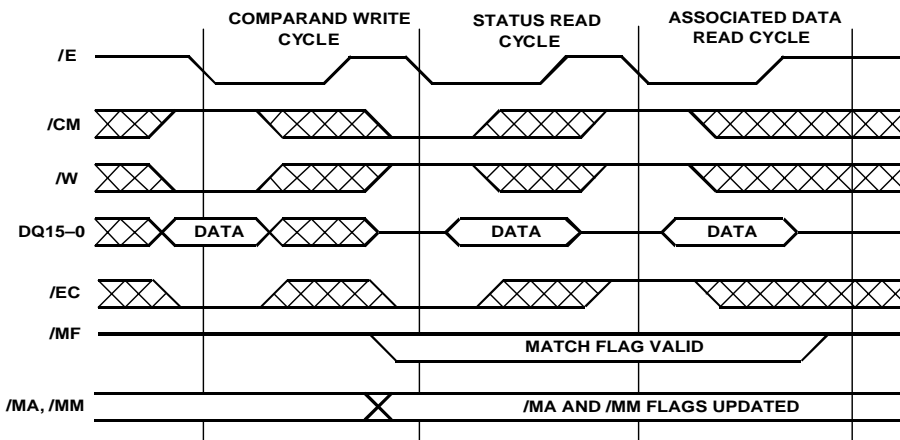


Figure 9: Cycle-to-Cycle Timing Example

### I/O Cycles

The LANCAM supports four basic I/O cycles: Data Read, Data Write, Command Read, and Command Write. The states of the  $/W$  and  $/CM$  control inputs determine the type of cycle. These signals are registered at the beginning of a cycle by the falling edge of  $/E$ . Table 1 on page 3 shows how the  $/W$  and  $/CM$  signals select the cycle type.

During Read cycles, the  $DQ15-0$  outputs are enabled after  $/E$  goes LOW. During Write cycles, the data or command to be written is captured from  $DQ15-0$  at the beginning of the cycle by the falling edge of  $/E$ . Figure 10 on page 15 and Figure 7 on page 13, show Read and Write cycles respectively. Figure 8 on page 14, shows typical cycle-to-cycle timing with the Match flag valid at the end of the Comparand Write. Data writes and reads to the comparand, Mask registers, or memory occur in one to four 16-bit cycles, depending on the settings in the Segment Control register. The Compare operation automatically occurs during Data writes to the Comparand or Mask registers when the destination segment counter reaches the end count set in the Segment Control register. If there was a match, the second cycle reads status or associated data, depending on the state of  $/CM$ . For cascaded devices,  $/EC$  needs to be LOW at the start of the

cycle prior to any cycle that requires a locked daisy chain, such as a Status register or associated data read after a match. If there is no match in Standard mode, the output buffers stay High-Z, and the daisy chain must be unlocked by taking  $/EC$  HIGH during a NOP or other non-functioning cycle, as indicated in Table 4 on page 12. Figure 9 on page 14 shows how the internal  $/EC$  timing holds the daisy chain locking effect over into the next cycle. In Enhanced mode, this NOP is not needed before data or command writes following a non-matching compare, as indicated by Table 4 on page 12. A single-chip system does not require daisy-chained match flag operation, hence  $/EC$  could be tied HIGH and the  $/MA$  pin or flag in the Status register used instead of  $/MF$ , allowing access to the device regardless of the match condition.

The minimum timings for the  $/E$  control signal are given in Table 9 on page 27. Note that at minimum timings the  $/E$  signal is non-symmetrical and that different cycle types have different timing requirements, as given in Table 6 on page 22.

### Compare Operations

During a Compare operation, the data in the Comparand register is compared to all locations in the Memory array simultaneously. Any Mask register used during compares must be selected beforehand in the Control register. There are two ways compares are initiated: Automatic compare and Forced compare.

Automatic compares perform a compare of the contents of the Comparand register against Memory locations that are tagged as “Valid,” and occur whenever the following happens:

- The Destination Segment counter in the Segment Control register reaches its end limit during writes to the Comparand or Mask registers.
- After a command write of a TCO CT is executed (except for a software reset), so that a compare is executed with the new settings of the Control register.

Forced compares are initiated by CMP instructions using one of the four validity conditions: V, R, S, and E. The forced compare against “Empty” locations automatically masks all 64 bits of data to find all locations with the validity bits set to “Empty,” while the other forced compares are only masked as selected in the Control register.

### Vertical Cascading

LANCAMs can be vertically cascaded to increase system depth. Through the use of flag daisy-chaining, multiple devices respond as an integrated system. The flag daisy chain allows all commands to be issued globally, with a response only in the device containing the Highest-Priority Matching or Next Free location. When connected in a daisy chain, the last device’s Full flag and Match flag accurately report the condition for the whole string. A system in which LANCAMs are vertically cascaded using daisy-chaining of the flags is shown in Figure 4 on page 7.

To operate the daisy chain, the Device Select registers are set to FFFFH to enable all devices to execute Command Write and Data Write cycles. In normal operation, read cycles are enabled from the device with the Highest-Priority match by locking the daisy chain (see the Locked Daisy Chain section). An individual device in the chain may be targeted for a read or write operation by temporarily setting the Device Select registers to the Page address of the target device. Setting the Device Select registers back to FFFFH restores the operation of the entire daisy chain.

### Match Flag Cascading

The Match Flag daisy chain cascading has three purposes: first, to allow operations on Highest-Priority Match addresses to be issued globally over the whole string;

second, to provide a system wide match flag; third, to lock out all devices except the one with the Highest-Priority match for instructions such as Status reads after a match. The Match flag logic causes only the highest-priority device to operate on its Highest-Priority Match location while devices with lower-priority matches ignore Highest-Priority Match operations. The lock-out feature is enabled by the match flag cascading and the use of the /EC control signal, as shown in Table 4.

The ripple delay of the flags when connected in a daisy chain requires the extension of the /E HIGH time until the logic in all devices has settled out. In a string of “n” devices, the /E HIGH time should be greater than

$$t_{EHMFV} + (n-2) \cdot t_{MIVMFV}$$

If the last device’s Match flag is required by external logic or a state machine before the start of the next CAM cycle, one additional  $t_{MIVMFV}$  should be added to the /E HIGH time along with the setup time and delays for the external logic.

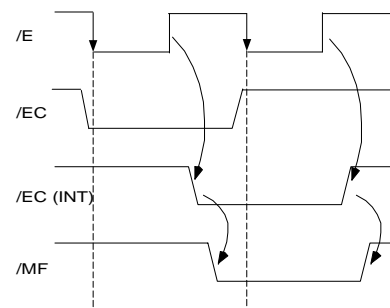


Figure 10: /EC (Int) Timing Diagram

### Locked Daisy Chain

In a locked daisy chain, the highest-priority device is the one with /MI HIGH and /MF LOW. In Standard mode, only this device responds to command and data reads and writes, until the daisy chain has been unlocked by taking /EC HIGH. This allows reading the associated data field from only the Highest-Priority Match location anywhere in a string of devices, or the Match address from the Status register of the device with the match. It also permits updating the entry stored at the Highest-Priority Match location. In Enhanced mode, devices are enabled to respond to some command and data writes, as noted in Table 4 on page 12, but not command and data reads.

Table 4 (Standard and Enhanced modes) show when a device responds to reads or writes and when does not, based on the state of /EC(int), the internal match condition, and other control inputs. /EC is latched by the falling edge of /E. /EC(int) is registered from the latched /EC signal off the rising edge of /E, so it controls what happens in the next cycle, as shown in Figure 10 on page

15. When /EC is first taken LOW in a string of LANCAM devices (and assuming the Device Select registers are set to FFFFH), all devices respond to that command write or data write.

From then on the daisy chain remains locked in each subsequent cycle as long as /EC is held LOW on the falling edge of /E in the current cycle. When the daisy chain is locked in Standard mode, only the Highest-Priority Match device responds (See Case 6 of Table 4). If, for example, all of the CAM memory locations were empty, there would be no match, and /MF would stay HIGH. Since none of the devices could then be the Highest-Priority Match device, none respond to reads or writes until the daisy chain is unlocked by taking /EC HIGH and asserting /E for a cycle.

If there is a match between the data in the Comparand register and one or more locations in memory, then only the Highest-Priority Match device responds to any cycle, such as an associated data or Status Register read. If there is not a match, then a NOP with /EC HIGH needs to be inserted before issuing any new instructions, such as Write to Next Free Address instruction to learn the data. Since Next Free operations are controlled by the /FI–/FF daisy chain, only the device with the first empty location responds. If an instruction is used to unlock the daisy chain, it works only on the Highest-Priority Match device, if one exists. If none exists, the instruction has no effect except to unlock the daisy chain. To read the Status registers of specific devices when there is no match requires the use of the TCO DS command to set DS=PA of each device. Single chip systems can tie /EC HIGH and read the Status register or the /MA and /MM pins to monitor match conditions, as the daisy chain lock-out feature is not needed in this configuration. This removes the need to insert a NOP in the case of a no-match.

When the Control register is set to Enhanced mode, you can continue to write data to the Comparand register or issue a Move to Next Free Address instruction without first having to issue a NOP with /EC HIGH to unlock the daisy chain after a Compare cycle with no match, as indicated in cases 4 and 5 of Table 4 on page 12. In Enhanced mode, data write cycles as well as command write cycles are enabled in all devices even when /EC is LOW. Exceptions are data writes, moves, or VBC instructions involving HM, which occur only in the device with the highest match; and data writes or move instructions involving NF, which occur only in the device with /FI LOW and /FF HIGH. Enhanced mode speeds up system performance by eliminating the need to unlock the daisy chain before Command or Data Write cycles.

### Full Flag Cascading

The Full Flag daisy chain cascading has the following three purposes:

- Allow instructions that address Next Free locations to operate globally
- Provide a system wide Full flag
- Allow the loading of the Page Address registers during initialization using the SFF instruction

The full flag logic causes only the device containing the first empty location to respond to Next Free instructions such as MOV NF,CR,V, which moves the contents of the Comparand register to the first empty location in a string of devices and sets that location Valid, making it available for the next automatic compare. With devices connected as in Figure 4 on page 7, the /FF output of the last device in a string provides a full indication for the entire string.

### IEEE 802.3/802.5 Format Mapping

To support the symmetrical mapping between the address formats of IEEE 802.3 and IEEE 802.5, the LANCAM provides a bit translation facility. Formally expressed, the nth input bit, D(n), maps to the xth output bit, Q(x), through the following expressions:

$$D(n) = Q(7-n) \text{ for } 0 \leq n \leq 7,$$

$$D(n) = Q(23-n) \text{ for } 8 \leq n \leq 15$$

Setting Control Register bit 10 and bit 9 selects whether to persistently translate, or persistently not to translate, the data written onto the 64-bit internal bus. The default condition after a Reset command is not to translate the incoming data. Figure 6 on page 9 shows the bit mapping between the two formats.

### Initializing the Lancam

Initialization of the LANCAM is required to configure the various registers on the device. Since a Control register reset establishes the operating conditions shown in Table 3 on page 11, restoration of operating conditions better suited for the application may be required after a reset, whether using the Control Register reset, or the /RESET pin. When the device powers up, the memory and registers are in an unknown state, so the /RESET pin must be asserted to place the device in a known state.

### Setting Page Address Register Values

In a vertically cascaded system, the user must set the individual Page Address registers to unique values by using the Page Address initialization mechanism. Each Page Address register must contain a unique value to prevent bus contention. This process allows individual device selection. The Page Address register initialization works as follows: Writes to Page Address registers are only active for devices with /FI LOW and /FF HIGH. At



initialization, all devices are empty, thus the top device in the string responds to a TCO PA instruction, and loads its PA register. A Set Full Flag (SFF) instruction advances to the next device in the string and is active only for the device with /FI LOW and /FF HIGH. The SFF instruction changes the first device's /FF to LOW, although the device really is empty, which allows the next device in the string to respond to the TCO PA instruction and load its PA register. The initialization proceeds through the chain in a similar manner filling all the PA registers in turn. Each device must have a unique Page Address value stored in its PA register, or contention results. After all the PA registers are filled, the entire string is reset through the Control register, which does not change the values stored in the individual PA registers. After the reset, the Device Select registers usually are set to FFFFH to enable operation in Case 1 of Table 4 on page 12. The Control registers and the Segment Control registers are then set to their normal operating values for the application.

### Vertically Cascaded System Initialization

Table 5 shows an example of code that initializes a daisy-chained string of LANCAM devices. The initialization example shows how to set the Page Address registers of each of the devices in the chain through the use of the Set Full Flag instruction, and how the Control registers and Segment counters of all the LANCAM devices are set for a typical application. Each Page Address register must contain a unique value (not FFFFH) to prevent bus contention.

For typical daisy chain operation, data is loaded into the Comparand registers of all the devices in a string simultaneously by setting DS=FFFFH. Since reading is prohibited when DS=FFFFH (except for the device with a match), for a diagnostic operation you need to select a specific device by setting DS=PA for the desired device to be able to read from it. Refer to Table 4 on page 12 for preconditions for reading and writing. Initialization for a single LANCAM is similar. The Device Select register in this case is usually set to equal the Page Address register for normal operations. Also, the dedicated /MA flag output can be used instead of /MF, allowing /EC to be tied HIGH.

**Table 5: Initialization Routine Example**

Cycle Type	Op-Code on DQ Bus	Control Bus				Comments	Notes
		/E	/C M	/W	/EC		
Command read		L	L	H	H	Clear power-up anomalies	
Command write	TCO DS	L	L	L	H	Target Device Select register to disable local device selection.	
Command write	FFFFH	L	L	L	H	Disable Device Select feature.	
Command write	TCO CT	L	L	L	H	Target Control register for reset.	
Command write	0000H	L	L	L	H	Causes Reset.	1
Command write	TCO PA	L	L	L	H	Target Page Address register to set page for cascaded operation.	2
Command write	nnnnH	L	L	L	H	Page Address value.	2
Command write	SFF	L	L	L	H	Set Full flag; allows access to next device (repeat previous two cycles plus this one for each device in chain.	2,3
Command write	TCO CT	L	L	L	H	Target Control register for reset of Full flags, but not Page address.	1
Command write	0000H	L	L	L	H	Causes Reset.	1
Command write	TCO CT	L	L	L	H	Target Control register for initial values.	4
Command write	8040H	L	L	L	H	Control register value.	4
Command write	TCO SC	L	L	L	H	Target Segment Count Control register	
Command write	3808H	L	L	L	H	Set both Segment counters to write to Segment 1, 2, and 3, and read from Segment 0.	4
Command write	SPS M@HM	L	L	L	H	Set Data reads from Segment 0 of the Highest-Priority match	

#### Notes:

1. Toggling the /RESET pin generates the same effect as this reset of the Control register, but good programming practice dictates a software reset for initialization to account for all possible prior conditions.
2. This instruction may be omitted for a single LANCAM application.
3. The last SFF causes the /FF pin in the last chip in a daisy chain to go LOW. In a daisy chain, DS needs to be set equal to PA to read out a particular chip prior to a match condition.
4. A typical LANCAM control environment: Enable match flag; Enable full flag; 48 CAM bits, 16 RAM bits; Disable comparison masking; and Enable address increment. See Table on page 23 for Control Register bit assignments

## INSTRUCTION SET DESCRIPTIONS

*Notes: Instruction cycle lengths given in Table 6 on page 22. If  $f=1$ , the instruction requires an absolute address to be supplied on the following cycle as a Command write. The value supplied on the second cycle of the instruction updates the address register. After operations involving  $M@[AR]$  or  $M@aaaH$ , the Address register increments or decrements depending on the setting in the Control register.*

### Instruction: Select Persistent Source (SPS)

**Binary Op-Code: 0000 f000 0000 0sss**

**f**      **Address Field flag**  
**sss**    **Selected source**

This instruction selects a persistent source for data reads, until another SPS instruction changes it or a reset occurs. The default source after reset for Data Read cycles is the Comparand register. Setting the persistent source to  $M@aaaH$  loads the Address register with “aaaH” and the first access to that persistent source is at aaaH, after which the AR value increments or decrements as set in the Control register. The SPS  $M@[AR]$  instruction does the same except the current Address Register value is used.

### Instruction: Select Persistent Destination (SPD)

**Binary Op-Code: 0000 f001 mmdd dvvv**

**f**      **Address Field flag**  
**mm**    **Mask Register select**  
**ddd**    **Selected destination**  
**vvv**    **Validity setting for Memory Location destinations**

This instruction selects a persistent destination for data writes, which remains until another SPD instruction changes it or a reset occurs. The default destination for Data Write cycles is the Comparand register after a reset. When the destination is the Comparand register or the Memory array, the data written may be masked by either Mask Register 1 or Mask Register 2, so that only destination bits corresponding to bits in the Mask register set to 0 are modified. An automatic compare occurs after writing the last segment of the Comparand or Mask registers, but not after writing to Memory. Setting the persistent destination to  $M@aaaH$  loads the Address register with “aaaH,” and the first access to that persistent destination is at aaaH, after which the AR value increments or decrements as set in the Control register. The SPD  $M@[AR]$  instruction does the same except the current Address Register value is used.

### Instruction: Temporary Command Override (TCO)

**Binary Op-Code: 0000 0010 00dd d000**

**ddd**    **Register selected as source or destination for only the next Command Read or Write cycle**

The TCO instruction selects a register as the source or destination for only the next Command Read or Write cycle, so a value can be loaded or read out of the register. Subsequent Command Read or Write cycles revert to reading the Status register and writing to the Instruction decoder. All registers but the NF, PS, and PD can be written to, and all can be read from. The Status register is only available through non-TCO Command Read cycles. Reading the PS register also outputs the Device ID on bits 15–4 as shown in Persistent Source Register Bits on page 24.

### Instruction: Data Move (MOV)

**Binary Op-Code: 0000 f011 mmdd dsss or 0000 f011 mmdd dvss**

**f**      **Address Field flag**  
**mm**    **Mask Register select**  
**ddd**    **Destination of data**  
**sss**    **Source of data**  
**v**      **Validity setting if destination is a Memory location**

The MOV instruction performs a 64-bit move of the data in the selected source to the selected destination. If the source or destination is aaaH, the Address register is set to “aaaH.” For MOV instructions to or from aaaH or [AR], the Address register increments or decrements from that value after the move completes, as set in the Control register. Data transfers between the Memory array and the Comparand register may be masked by either Mask Register 1 or Mask Register 2, in which case, only those bits in the destination that correspond to bits in the selected Mask register set to 0 are changed. A Memory location used as a destination for a MOV instruction may be set to Valid or left unchanged. If the source and destination are the same register, no net change occurs (a NOP).

**Instruction: Validity Bit Control (VBC)****Binary Op-Code: 0000 f100 00dd dvvv**

**f**      **Address Field flag**  
**ddd**    **Destination of data**  
**vvv**    **Validity setting for Memory location**

The VBC instruction sets the Validity bits at the selected memory locations to the selected state. This feature can be used to find all valid entries by using a repetitive sequence of CMP V through a mask of all 1s followed by a VBC HM, S. If the VBC target is aaaH, the Address register is set to "aaaH." For VBC instructions to or from aaaH or [AR], the Address register increments or decrements from that value after the operation completes, as set in the Control register.

**Instruction: Compare (CMP)****Binary Op-Code: 0000 0101 0000 0vvv**

**vvv**    **Validity condition**

A CMP V, S, or R instruction forces a Comparison of Valid, Skipped, or Random entries against the Comparand register through a Mask register, if one is selected. During a CMP E instruction, the compare is only done on the Validity bits and all data bits are automatically masked.

**Instruction: Special Instructions****Binary Op-Code: 0000 0110 00dd drrr**

**ddd**    **Target resource**  
**rrr**    **Operation**

These instructions are a special set for the LANCAM to accommodate the added features over the MU9C1480. Two alternate sets of configuration registers can be selected by using the Select Foreground and Select Background Registers instructions. These registers are the Control, Segment Control, Address, Mask Register 1, and the PS and PD registers.

An RSC instruction resets the Segment Control register count values for both the Destination and Source counters to the original Start limits.

The Shift instructions shift the designated register one bit right or left. The right and left limits for shifting are determined by the CAM/RAM partitioning set in the Control register. The Comparand register is a barrel-shifter, and for the example of a device set to 64 bits of CAM executing a Shift Comparand Right instruction, bit 0 is moved to bit 63, bit 1 is moved to bit 0, and bit 63 is moved to bit 62. For a Shift Comparand Left instruction, bit 63 is moved to bit 0, bit 0 is moved to bit 1, and bit 62 is moved to bit 63. MR2 acts as a sliding mask, where for a Shift Right instruction bit 1 is moved to bit 0, while bit 0 "falls off the end," and bit 63 is replicated to bit 62. For a Shift Mask Left instruction, bit 0 is replicated to bit 1, bit 62 is moved to bit 63, and bit 63 "falls off the end." With shorter width CAM fields, the bit limits on the right or left move to match the width of CAM field.

**Instruction: Set Full Flag (SFF)****Binary Op-Code: 0000 0111 0000 0000**

The SFF instruction is a special instruction used to force the Full flag LOW to permit setting the Page Address register in vertically cascaded systems.

**Instruction: No Operation (NOP)****Binary Op-Code: 0000 0011 0000 0000**

The NOP (No-OP) belongs to the MOV instructions, where a register is moved to itself. No change occurs within the device. This instruction is useful in unlocking the daisy chain in Standard mode.

## INSTRUCTION SET SUMMARY

**Mnemonic Format:** **INS** *dst*, *src*[*msk*], *val*

**INS:** Instruction mnemonic

**dst:** Destination of the data

**src:** Source of the data

**msk:** Mask register used

**val:** Validity condition set at the location written

### Instruction: Select Persistent Source

Operation	Mnemonic	Op-Code
Comparand Register	SPS CR	0000H
Mask Register 1	SPS MR1	0001H
Mask Register 2	SPS MR2	0002H
Memory Array at Addr. Reg.	SPS M@[AR]	0004H
Memory Array at Address	SPS M@aaaH	0804H
Mem. at Highest-Priority Match	SPS M@HM	0005H

### Instruction: Select Persistent Destination

Operation	Mnemonic	Op-Code
Comparand Register	SPD CR	0100H
Masked by MR1	SPD CR[MR1]	0140H
Masked by MR2	SPD CR[MR2]	0180H
Mask Register 1	SPD MR	0108H
Mask Register 2	SPD MR2	0110H
Mem. at Addr. Reg. set Valid	SPD M@[AR],V	0124H
Masked by MR1	SPD M@[AR][MR1],V	0164H
Masked by MR2	SPD M@[AR][MR2],V	01A4H
Mem. at Addr. Reg. set Empty	SPD M@[AR],E	0125H
Masked by MR1	SPD M@[AR][MR1],E	0165H
Masked by MR2	SPD M@[AR][MR2],E	01A5H
Mem. at Addr. Reg. set Skip	SPD M@[AR],S	0126H
Masked by MR1	SPD M@[AR][MR1],S	0166H
Masked by MR2	SPD M@[AR][MR2],S	01A6H
Mem. at Addr.Reg. set Random	SPD M@[AR],R	0127H
Masked by MR1	SPD M@[AR][MR1],R	0167H
Masked by MR2	SPD M@[AR][MR2],R	01A7H
Memory at Address set Valid	SPD M@aaaH,V	0924H
Masked by MR1	SPD M@aaaH[MR1],V	0964H
Masked by MR2	SPD M@aaaH[MR2],V	09A4H
Memory at Address set Empty	SPD M@aaaH,E	0925H
Masked by MR1	SPD M@aaaH[MR1],E	0965H
Masked by MR2	SPD M@aaaH[MR2],E	09A5H
Memory at Address set Skip	SPD M@aaaH,S	0926H
Masked by MR1	SPD M@aaaH[MR1],S	0966H
Masked by MR2	SPD M@aaaH[MR2],S	09A6H
Memory at Address set Random	SPD M@aaaH,R	0927H
Masked by MR1	SPD M@aaaH[MR1],R	0967H
Masked by MR2	SPD M@aaaH[MR2],R	09A7H
Mem. at Highest-Prio. Match, Valid	SPD M@HM,V	012CH
Masked by MR1	SPD M@HM[MR1],V	016CH
Masked by MR2	SPD M@HM[MR2],V	01ACH
Mem. at Highest-Prio. Match, Emp.	SPD M@HM,E	012DH
Masked by MR1	SPD M@HM[MR1],E	016DH
Masked by MR2	SPD M@HM[MR2],E	01ADH

### Instruction: Select Persistent Destination (continued)

Operation	Mnemonic	Op-Code
Mem. at Highest-Prio. Match, Skip	SPD M@HM,S	012EH
Masked by MR1	SPD M@HM[MR1],S	016EH
Masked by MR2	SPD M@HM[MR2],S	01AEH
Mem. at High.-Prio. Match, Random	SPD M@HM,R	012FH
Masked by MR1	SPD M@HM[MR1],R	016FH
Masked by MR2	SPD M@HM[MR2],R	01AFH
Mem. at Next Free Addr., Valid	SPD M@NF,V	0134H
Masked by MR1	SPD M@NF[MR1],V	0174H
Masked by MR2	SPD M@NF[MR2],V	01B4H
Mem. at Next Free Addr., Empty	SPD M@NF,E	0135H
MaskedbyMR1	SPD M@NF[MR1],E	0175H
MaskedbyMR2	SPD M@NF[MR2],E	01B5H
Mem. at Next Free Addr., Skip	SPD M@NF,S	0136H
Masked by MR1	SPD M@NF[MR1],S	0176H
Masked by MR2	SPD M@NF[MR2],S	01B6H
Mem. at Next Free Addr., Random	SPD M@NF,R	0137H
Masked by MR1	SPD M@NF[MR1],R	0177H
Masked by MR2	SPD M@NF[MR2],R	01B7H

### Instruction: Temporary Command Override

Operation	Mnemonic	Op-Code
Control Register	TCO CT	0200H
Page Address Register	TCO PA	0208H
Segment Control Register	TCO SC	0210H
Read Next Free Address	TCO NF	0218H
Address Register	TCO AR	0220H
Device Select Register	TCO DS	0228H
Read Persistent Source	TCO PS	0230H
Read Persistent Destination	TCO PD	0238H

### Instruction: Data Move

Operation	Mnemonic	Op-Code
Comparand Register from:		
No Operation	NOP	0300H
Mask Register 1	MOV CR,MR1	0301H
Mask Register 2	MOV CR,MR2	0302H
Memory at Address Reg.	MOV CR,[AR]	0304H
Masked by MR1	MOV CR,[AR][MR1]	0344H
Masked by MR2	MOV CR,[AR][MR2]	0384H
Memory at Address	MOV CR,aaaH	0B04H
Masked by MR1	MOV CR,aaaH[MR1]	0B44H
Masked by MR2	MOV CR,aaaH[MR2]	0B84H
Mem. at Highest-Prio. Match	MOV CR,HM	0305H
MaskedbyMR1	MOV CR,HM[MR1]	0345H
MaskedbyMR2	MOV CR,HM[MR2]	0385H
Mask Register 1 from:		
Comparand Register	MOV MR1,CR	0308H
No Operation	NOP	0309H
Mask Register 2	MOV MR1,MR2	030AH
Memory at Address Reg.	MOV MR1,[AR]	030CH
Memory at Address	MOV MR1,aaaH	0B0CH
Mem. at Highest-Prio. Match	MOV MR1,HM	030DH

**Instruction: Data Move (continued)**

Operation	Mnemonic	Op-Code
Mask Register 2 from:		
Comparand Register	MOV MR2,CR	0310H
Mask Register 1	MOV MR2,MR1	0311H
No Operation	NOP	0312H
Memory at Address Reg.	MOV MR2,[AR]	0314H
Memory at Address	MOV MR2,aaaH	0B14H
Mem. at Highest-Prio. Match	MOV MR2,HM	0315H
Memory at Address Register, No Change to Validity bits, from:		
Comparand Register	MOV [AR],CR	0320H
Masked by MR1	MOV [AR],CR[MR1]	0360H
Masked by MR2	MOV [AR],CR[MR2]	03A0H
Mask Register 1	MOV [AR],MR1	0321H
Mask Register 2	MOV [AR],MR2	0322H
Memory at Address Register, Location set Valid, from:		
Comparand Register	MOV [AR],CR,V	0324H
Masked by MR1	MOV [AR],CR[MR1],V	0364H
Masked by MR2	MOV [AR],CR[MR2],V	03A4H
Mask Register 1	MOV [AR],MR1,V	0325H
Mask Register 2	MOV [AR],MR2,V	0326H
Memory at Address, No Change to Validity bits, from:		
Comparand Register	MOV aaaH0,CR	0B20H
Masked by MR1	MOV aaaH,CR[MR1]	0B60H
Masked by MR2	MOV aaaH,CR[MR2]	0BA0H
Mask Register 1	MOV aaaH,MR1	0B21H
Mask Register 2	MOV aaaH,MR2	0B22H
Memory at Address, Location set Valid, from:		
Comparand Register	MOV aaaH,CR,V	0B24H
Masked by MR1	MOV aaaH,CR[MR1],V	0B64H
Masked by MR2	MOV aaaH,CR[MR2],V	0BA4H
Mask Register 1	MOV aaaH,MR1,V	0B25H
Mask Register 2	MOV aaaH,MR2,V	0B26H
Memory at Highest-Priority Match, No Change to Validity bits, from:		
Comparand Register	MOV HM,CR	0328H
Masked by MR1	MOV HM,CR[MR1]	0368H
Masked by MR2	MOV HM,CR[MR2]	03A8H
Mask Register 1	MOV HM,MR1	0329H
Mask Register 2	MOV HM,MR2	032AH
Memory at Highest-Priority Match, Location set Valid, from:		
Comparand Register	MOV HM,CR,V	032CH
Masked by MR1	MOV HM,CR[MR1],V	036CH
Masked by MR2	MOV HM,CR[MR2],V	03ACH
Mask Register 1	MOV HM,MR1,V	032DH
Mask Register 2	MOV HM,MR2,V	032EH
Memory at Next Free Address, No Change to Validity bits, from:		
Comparand Register	MOV NF,CR	0330H
Masked by MR1	MOV NF,CR[MR1]	0370H
Masked by MR2	MOV NF,CR[MR2]	03B0H
Mask Register 1	MOV NF,MR1	0331H
Mask Register 2	MOV NF,MR2	0332H
Memory at Next Free Address, Location set Valid, from:		
Comparand Register	MOV NF,CR,V	0334H
Masked by MR1	MOV NF,CR[MR1],V	0374H
Masked by MR2	MOV NF,CR[MR2],V	03B4H
Mask Register 1	MOV NF,MR1,V	0335H
Mask Register 2	MOV NF,MR2,V	0336H

**Instruction: Validity Bit Control**

Operation	Mnemonic	Op-Code
Set Validity bits at Address Register		
Set Valid	VBC [AR],V	0424H
Set Empty	VBC [AR],E	0425H
Set Skip	VBC [AR],S	0426H
Set Random Access	VBC [AR],R	0427H
Set Validity bits at Address		
Set Valid	VBC aaaH,V	0C24H
Set Empty	VBC aaaH,E	0C25H
Set Skip	VBC aaaH,S	0C26H
Set Random Access	VBC aaaH,R	0C27H
Set Validity bits at Highest-Priority Match		
Set Valid	VBC HM,V	042CH
Set Empty	VBC HM,E	042DH
Set Skip	VBC HM,S	042EH
Set Random Access	VBC HM,R	042FH
Set Validity bits at All Matching Locations		
Set Valid	VBC ALM,V	043CH
Set Empty	VBC ALM,E	043DH
Set Skip	VBC ALM,S	043EH
Set Random Access	VBC ALM,R	043FH

**Instruction: Compare**

Operation	Mnemonic	Op-Code
Compare Valid Locations	CMP V	0504H
Compare Empty Locations	CMP E	0505H
Compare Skipped Locations	CMP S	0506H
Comp. Random Access Locations	CMP R	0507H

**Instruction: Special Instructions**

Operation	Mnemonic	Op-Code
Shift Comparand Right	SFT CR, R	0600H
Shift Comparand Left	SFT CR, L	0601H
Shift Mask Register 2 Right	SFT M2, R	0610H
Shift Mask Register 2 Left	SFT M2, L	0611H
Select Foreground Registers	SFR	0618H
Select Background Registers	SBR	0619H
Reset Seg. Cont. Reg. to Initial Val.	RSC	061AH

**Instruction: Miscellaneous**

Operation	Mnemonic	Op-Code
No Operation	NOP	0300H
Set Full Flag	SFF	0700H

**Instruction Cycle Lengths****Table 6: Instruction Cycle Lengths**

Cycle Length	Cycle Type			
	Command Write	Command Read	Data Write	Data Read
<b>Short</b>	MOV reg, reg (except -70) TCO reg (except CT) TCO CT (non-reset, HMA invalid) SPS, SPD, SFR SBR, RSC NOP (except -70) SFT (8480B)		Comparand register (not last segment) Mask register (not last segment)	
<b>Medium</b>	MOV reg, mem MOV reg, reg (-70) TCO CT (reset) VBC (NFA invalid) SFT (except 8480B) NOP (-70)	Status register or 16-bit register Sheets	Memory array (NFA invalid)	Comparand register Mask register
<b>Long</b>	MOV mem, reg TCO CT (non-reset, HMA valid) CMP SFF VBC (NFA valid)		Memory array (NFA valid) Comparand register (last segment) Mask register (last segment)	Memory array

*Note: The specific timing requirements for Short, Medium, and Long cycles are given in the Switching Characteristics section under the *tELEH* parameter. For two cycle Command Writes (TCO reg or any instruction with “aaaH” as the source or destination), the first cycle is short, and the second cycle is the length given.*

## REGISTER BIT ASSIGNMENTS

### Control Register Bits

Device	Bit(s)	Name	Description
All	15	RST	0 = Reset
	14:13	Match Flag	00 = Enable 01 = Disable 10 = Reserved 11 = No Change
	12:11	Full Flag	00 = Enable 01 = Disable 10 = Reserved 11 = No Change
	10:9	Translation	00 = Input Not Translated 01 = Input Translated 10 = Reserved 11 = No Change
	8:6	CAM/RAM Part	000 = 64 CAM/0 RAM 001 = 48 CAM/16 RAM 010 = 32 CAM/32 RAM 011 = 16 CAM/48 RAM 100 = 48 RAM/16 CAM 101 = 32 RAM/32 CAM 110 = 16 RAM/48 CAM 111 = No Change
	5:4	Comp. Mask	00 = None 01 = MR1 10 = MR2 11 = No Change
	3:2	AR Inc/Dec	00 = Increment 01 = Decrement 10 = Disable 11 = No Change
	1:0	Mode	00 = Standard 01 = Enhanced 10 = Reserved 11 = No Change

*Note: D15 reads back as 0.*

### Segment Control Register Bits

Device	Bit(s)	Name	Description
All	15	SDL	0 = Set Destination Segment Limits 1 = No Change
	14:13	DCSL	00–11 = Destination Count Start Limit
	12:11	DCEL	00–11 = Destination Count End Limit
	10	SSL	0 = Set Source Segment Limits 1 = No Change
	9:8	SCSL	00–11 = Source Count Start Limit
	7:6	SCEL	00–11 = Source Count End Limit
	5	LDC	0 = Load Destination Segment Count 1 = No Change
	4:3	DSCV	00–11 = Destination Seg. Count Value
	2	LSC	0 = Load Source Segment Count 1 = No Change
1:0	SSCV	00–11 = Source Segment Count Value	

*Note: D15, D10, D5, and D2 are read back as 0s.*

**Next Free Address Bits**

Device	Bit(s)	Name	Description
1480B	15:10	PA5-0	Page Address
	9:0	NF9-0	Next Free Address
2480B	15:11	PA4-0	Page Address
	10:0	NF10-0	Next Free Address
4480B	15:12	PA3-0	Page Address
	11:0	NF11-0	Next Free Address
8480B	15:13	PA2-0	Page Address
	12:0	NF12-0	Next Free Address

*Note: The Next Free Address register is read only, and is accessed by performing a Command Read cycle immediately following a TCO NF instruction.*

**Status Register Bits**

Device	Bit(s)	Name	Description
All	31	/FL	0 = Internal CAM Full
	30	/MM	0 = Internal Multiple Match
	29:28	VB1-0	00 = Valid 01 = Empty 10 = Skip 11 = RAM
1480B	27	0	Reserved
	26:16	PA15-5	Page Address (second read)
	15:11	PA4-0	Page Address (first read)
	10:1	AM9-0	Match Address
2480B	27:16	PA15-4	Page Address (second read)
	15:12	PA3-0	Page Address (first read)
	11:1	AM10-0	Match Address
4480B	27:16	PA14-3	Page Address (second read)
	15:13	PA2-0	Page Address (first read)
	12:1	AM11-0	Match Address
8480B	27:16	PA13-2	Page Address (second read)
	15:14	PA1-0	Page Address (first read)
	13:1	AM12-0	Match Address
All	0	/MA	Match Flag

*Note: The Status register is read only, and is accessed by performing Command Read cycles. On the first cycle, bits 15-0 are output, and if a second Command Read cycle is issued immediately after the first Command Read cycle, bits 31-16 are output.*

**Persistent Source Register Bits**

Device	Bit(s)	Name	Description
1480B	15:4	DEVID	Device ID = 141H
2480B	15:4	DEVID	Device ID = 240H
4480B	15:4	DEVID	Device ID = 440H
8480B	15:4	DEVID	Device ID = 840H
All	3:0	PS	Persistent Source Setting

*Note: The Persistent Source register is read only, and is accessed by performing a Command Read cycle immediately following a TCO PS instruction.*



## ELECTRICAL

### Absolute Maximum Ratings

Supply Voltage	-0.5 to 4.6 Volts
Voltage on all other pins	-0.5 to VCC +0.5 Volts (-2 Volts for 10 ns, measured at the 50% point)
Temperature under bias	-55° C to 125° C
Storage Temperature	-55° C to 125° C
DC Output Current	20 mA (per output, one at a time, one second duration)

Stresses exceeding those listed under Absolute Maximum Ratings may induce failure. Exposure to absolute maximum ratings for extended periods may reduce reliability. Functionality at or above these conditions is not implied.

All voltages referenced to GND.

### Operating Conditions

Voltages referenced to GND at the device pin.

Symbol	Parameter	Min.	Typical	Max.	Units	Notes
V <sub>CC</sub>	Operating supply voltage	3.0	3.3	3.6	Volts	
V <sub>IH</sub>	Input voltage logic 1	2.0		V <sub>CC</sub> + 0.5	Volts	
V <sub>IL</sub>	Input voltage logic 0	-0.5		0.8	Volts	1, 2
T <sub>A</sub>	Ambient operating temperature	Commercial	0	70	° C	Still air
		Industrial	-40	85	° C	

#### Notes:

- 1.0 Volts for a duration of 10 ns measured at the 50% amplitude points for Input-only lines (see Figure 12 on page 26).
- Common I/O lines are clamped, so that signal transients can not fall below -0.5 Volts.

### Average Power Supply Current (mA)

Device	-50		-70		-90	
	Typ.	Max.	Typ.	Max.	Typ.	Max.
1480B			35	60	30	50
2480B			60	100	45	75
4480B			110	160	85	140
8480B	230	370	160	260	120	200

### DC Electrical Characteristics

Symbol	Parameter	Min	Typical	Max.	Units	Notes	
I <sub>CC(SB)</sub>	Stand-by power supply current			2	mA	/E = HIGH	
V <sub>OH</sub>	Output voltage logic 1	2.4			Volts	I <sub>OH</sub> = -2.0 mA	
V <sub>OL</sub>	Output voltage logic 0			0.4	Volts	I <sub>OL</sub> = 4.0 mA	
I <sub>Iz</sub>	Input leakage current	Others	-2	+2	μA	V <sub>SS</sub> ≤ V <sub>IN</sub> ≤ V <sub>CC</sub>	
		/RESET	6	9	15	Kohms	V <sub>IN</sub> = 0 V
		Test1, Test2	6	10	13	Kohms	V <sub>IN</sub> = V <sub>CC</sub> ; 10
I <sub>OZ</sub>	Output leakage current		-10	10	μA	V <sub>SS</sub> ≤ V <sub>OUT</sub> ≤ V <sub>CC</sub> DQN = High Impedance	

### Capacitance

Symbol	Parameter	Max.	Units	Notes
C <sub>IN</sub>	Input capacitance	6	pF	f = 1 MHz, V <sub>IN</sub> = 0V
C <sub>OUT</sub>	Output capacitance	7	pF	f = 1 MHz, V <sub>OUT</sub> = 0V

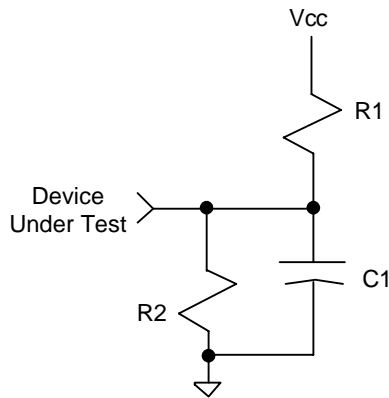
**AC Test Conditions**

**Table 7: AC Test Conditions**

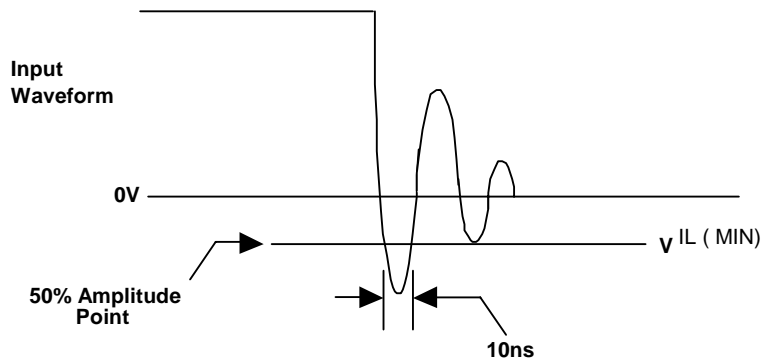
Input Signal Transitions	0.0 Volts to 3.0 Volts
Input Signal Rise Time	< 3 ns
Input Signal Fall Time	< 3 ns
Input Timing Reference Level	1.5 Volts
Output Timing Reference Level	1.5 Volts

**SWITCHING**

**Switching Test Figures**



**Figure 11: AC Test Load**



**Figure 12: Input Signal Waveform**

**Switching Test Figures Component Values**

**Table 8: Switching Test Figures Component Values**

Parameter		All Devices	Units
VCC		3.3	Volts
R1		635	Ohms
R2		702	Ohms
C1 (includes jig)	Test Load A	30	pF
	Test Load B	5	pF

## Switching Characteristics

Table 9: Switching Characteristics

No.	Symbol	Parameter	Cycle Time		-50		-70		-90		Notes
			Min.	Max.	Min.	Max.	Min.	Max.			
1	t <sup>ELEL</sup>	Chip Enable Compare Cycle Time	50		70		90				
2	t <sup>ELEH</sup>	Chip Enable LOW Pulse Width	Short Cycle	15		15		25		4	
			Medium Cycle	30		35		50		4	
			Long Cycle	45		55		75		4	
3	t <sup>EHHL</sup>	Chip Enable HIGH Pulse Width	5		15		15				
4	t <sup>CVEL</sup>	Control Input to Chip Enable LOW Setup Time	2		2		2		5		
5	t <sup>ELCX</sup>	Control Input from Chip Enable LOW Hold Time	10		10		10		5		
6	t <sup>ELQX</sup>	Chip Enable LOW to Outputs Active	3		3		3		6		
7	t <sup>ELQV</sup>	Chip Enable LOW to Outputs Valid	Register Read		30		30		50	4,6	
			Memory Read		40		52		75	4,6	
8	t <sup>EHQZ</sup>	Chip Enable HIGH to Outputs HIGH-Z	3	10	3	10	3	15	7		
9	t <sup>DVEL</sup>	Data to Chip Enable LOW Setup Time	2		2		2				
10	t <sup>ELDX</sup>	Data from Chip Enable LOW Hold Time	10		10		10				
11	t <sup>FIVEL</sup>	Full In Valid to Chip Enable LOW Setup Time	0		0		0				
12	t <sup>FIVFV</sup>	Full In Valid to Full Flag Valid		5		5		7			
13	t <sup>ELFFV</sup>	Chip Enable LOW to Full Flag Valid		35		50		75			
14	t <sup>MIVEL</sup>	Match in Valid to Chip Enable LOW Setup Time	0		0		0				
15	t <sup>EHMFV</sup>	Chip Enable HIGH to /MF, /MA, /MM Invalid	0		0		0				
16	t <sup>MIVMFV</sup>	Match In Valid to /MF Valid, /MA, /MM		4		5		7			
17	t <sup>EHMFV</sup>	Chip Enable HIGH to /MF Valid		16		16		25			
18	t <sup>EHMXV</sup>	Chip Enable HIGH to /MA and /MM Valid		18		18		25			
19	t <sup>RLRH</sup>	Reset LOW Pulse Width	50		100		100		8		

**Notes:**

1. 1.0 Volts for a duration of 10 ns measured at the 50% amplitude points for Input-only lines (see Figure 12 on page 26).
2. Common I/O lines are clamped, so that signal transients can not fall below -0.5 Volts.
3. Over ambient operating temperature range and Vcc(min.) to Vcc(max.).
4. See Table 6 on page 22.
5. Control signals are /W, /CM, and /EC.
6. With load specified in Figure 11 on page 26, Test Load A.
7. With load specified in Figure 11 on page 26, Test Load B.
8. /E must be HIGH during this period to ensure accurate default values in the configuration registers.
9. With output and I/O pins unloaded.
10. TEST1 and/or TEST2 may not be implemented on all versions of these products.

# TIMING DIAGRAMS

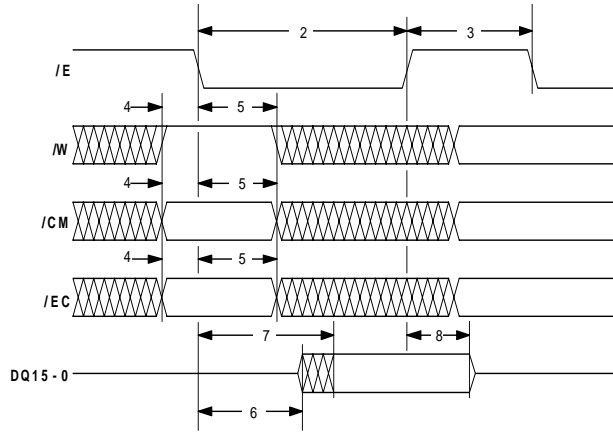


Figure 13: Read Cycle

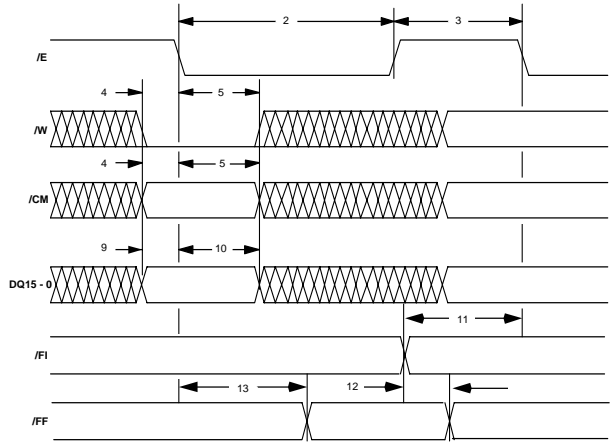


Figure 14: Write Cycle

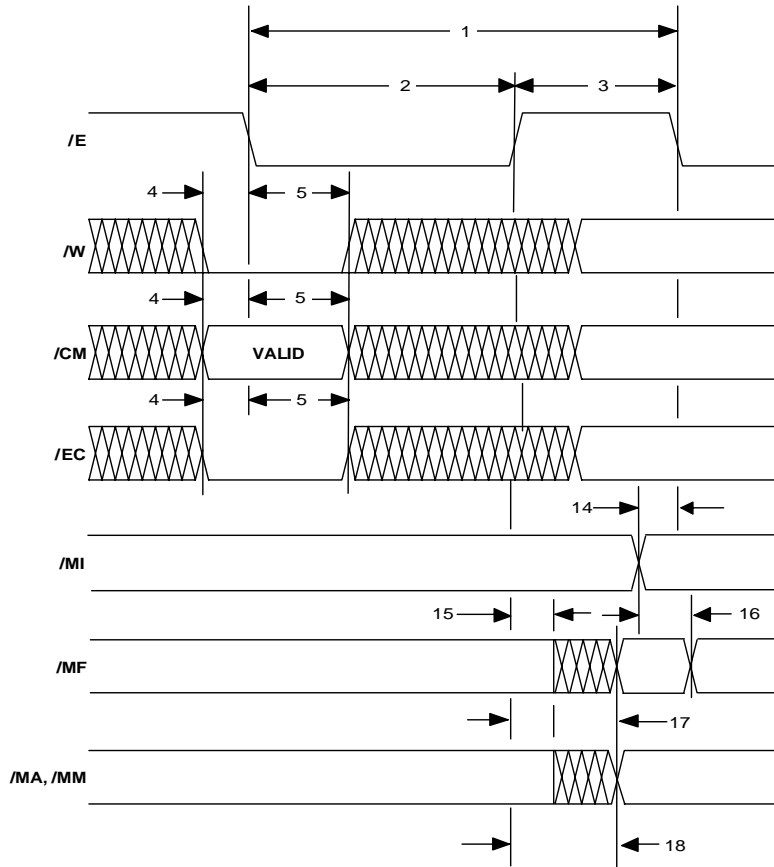


Figure 15: Compare Cycle

## DUAL FOOTPRINT CONNECTIONS

The following illustration is a suggested dual footprint only, and is not intended as board-ready artwork.

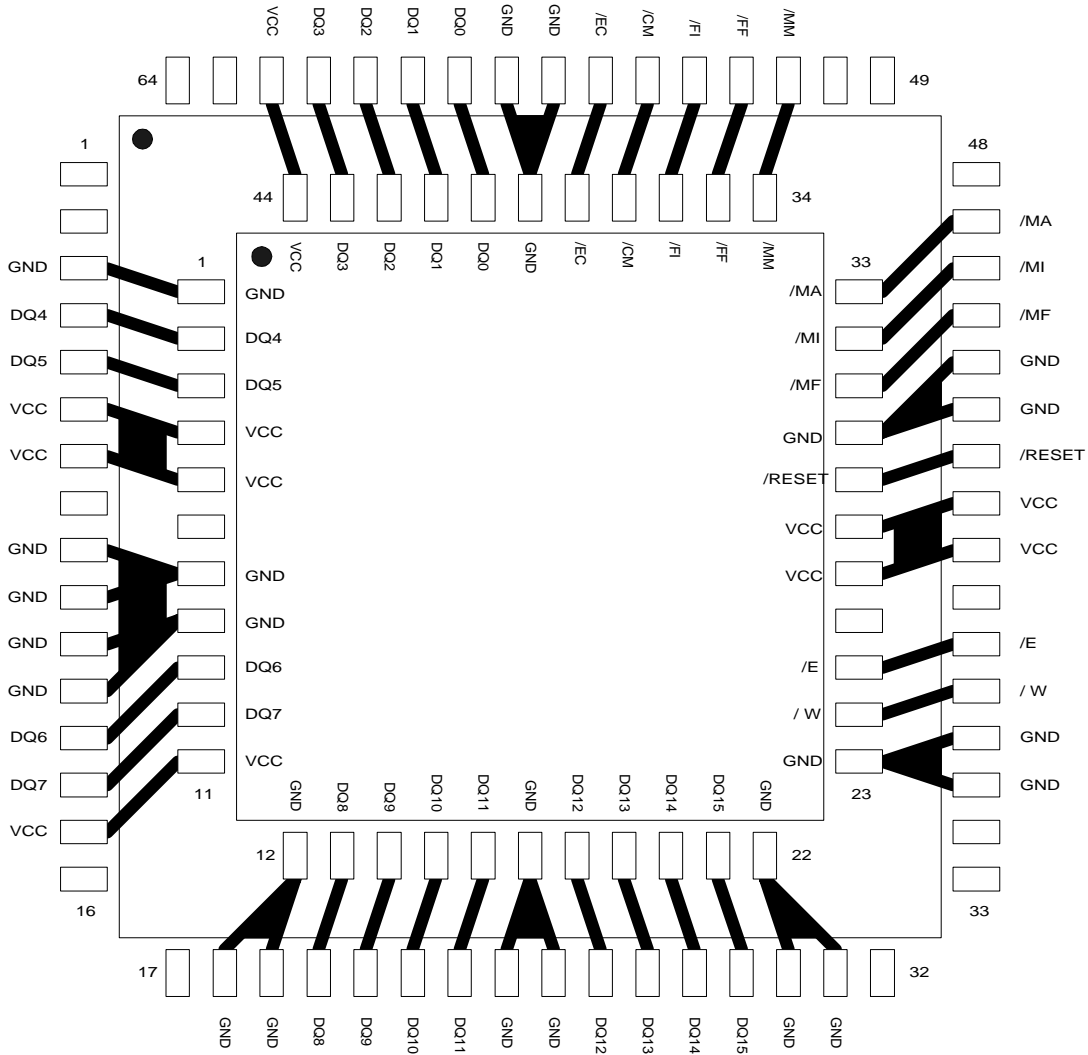


Figure 16: Dual Footprint Connections

## Notes

# LQFP PACKAGES

## 44-Pin LQFP

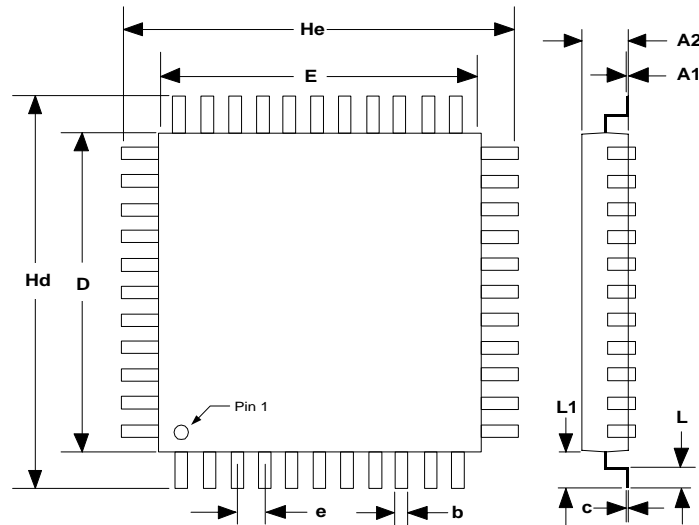


Figure 17: 44-Pin LQFP Package

Table 10: 44-Pin LQFP Dimensions

	Dim. A1	Dim. A2	Dim. b	Dim. c	Dim. D	Dim. E	Dim. e	Dim. Hd	Dim. He	Dim. L1	Dim. L
Min.	0.05	1.35	0.22	0.08	10.00	10.00	0.80	12.00	12.00	1.00	0.45
Nom.		1.40	0.30	0.60							
Max.	0.15	1.45	0.38	0.20							0.75

## 64-Pin LQFP

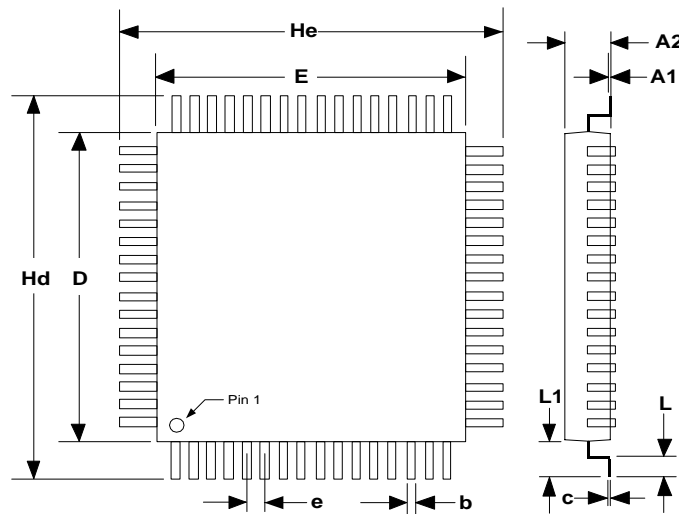


Figure 18: 64-Pin LQFP Package

Table 11: 64-Pin LQFP Dimensions

	Dim. A1	Dim. A2	Dim. b	Dim. c	Dim. D	Dim. E	Dim. e	Dim. Hd	Dim. He	Dim. L1	Dim. L
Min.	0.05	1.35	0.22	0.08	14.00	14.00	0.80	16.00	16.00	1.00	0.45
Nom.		1.40	0.30	0.60							
Max.	0.15	1.45	0.38	0.20							0.75

**ORDERING INFORMATION**

Part Number	Cycle Time	Package	Temperature	Voltage
MU9C8480B-50TBC	50 ns	64-Pin LQFP	0-70° C	3.3 ± 0.3
MU9C8480B-70TBC	70 ns	64-Pin LQFP	0-70° C	3.3 ± 0.3
MU9C8480B-90TBC	90 ns	64-Pin LQFP	0-70° C	3.3 ± 0.3
MU9C8480B-50TBI **	50 ns	64-Pin LQFP	-40-85° C	3.3 ± 0.3
MU9C8480B-70TBI	70 ns	64-Pin LQFP	-40-85° C	3.3 ± 0.3
MU9C8480B-90TBI	90 ns	64-Pin LQFP	-40-85° C	3.3 ± 0.3
MU9C4480B-70TBC	70 ns	64-Pin LQFP	0-70° C	3.3 ± 0.3
MU9C4480B-90TBC	90 ns	64-Pin LQFP	0-70° C	3.3 ± 0.3
MU9C4480B-70TBI	70 ns	64-Pin LQFP	-40-85° C	3.3 ± 0.3
MU9C4480B-90TBI	90 ns	64-Pin LQFP	-40-85° C	3.3 ± 0.3
MU9C2480B-70TBC	70 ns	64-Pin LQFP	0-70° C	3.3 ± 0.3
MU9C2480B-90TBC	90 ns	64-Pin LQFP	0-70° C	3.3 ± 0.3
MU9C2480B-70TBI	70 ns	64-Pin LQFP	-40-85° C	3.3 ± 0.3
MU9C2480B-90TBI	90 ns	64-Pin LQFP	-40-85° C	3.3 ± 0.3
MU9C1480B-70TAC	70 ns	44-Pin LQFP	0-70° C	3.3 ± 0.3
MU9C1480B-90TAC	90 ns	44-Pin LQFP	0-70° C	3.3 ± 0.3
MU9C1480B-90TAI	90 ns	44-Pin LQFP	-40-85° C	3.3 ± 0.3

\*\* MOQ required. Please contact your nearest MUSIC office or sales representative.

**ORDERING INFORMATION LEAD-FREE PRODUCTS**

For ordering Lead-Free products please add an "F" directly after the product name (in front of the speed grade).

Example: MU9C8480BF-50TBC

<b>MUSIC Semiconductors' agent or distributor:</b>	MUSIC Semiconductors reserves the right to make changes to its products and specifications at any time in order to improve on performance, manufacturability or reliability. Information furnished by MUSIC is believed to be accurate, but no responsibility is assumed by MUSIC Semiconductors for the use of said information, nor for any infringements of patents or of other third-party rights which may result from said use. No license is granted by implication or otherwise under any patent or patent rights of any MUSIC company. © Copyright 2000 and 2002, MUSIC Semiconductors
--	--

**North American Sales**  
MUSIC Semiconductors  
Tel: 908-619-6818  
Fax: 828-278-0218  
email: traciev@musicsemi.com

**Asian Headquarters**  
MUSIC Semiconductors  
110 Excellence Ave., SEPZ 1  
Carmelray Industrial Park  
Canlubang, Laguna  
Philippines 4028  
Tel: +63 49 549-1480  
Fax: +63 49 549-1024

**European Headquarters**  
MUSIC Semiconductors  
Raadhuisplein 10  
6436 BW Amstenrade  
The Netherlands  
Tel: +31 43 455-2675  
Fax: +31 43 455-1573