



rev 1.0

Low-Power Mobile VGA EMI Reduction IC

Features

- FCC approved method of EMI attenuation.
- Generates a low EMI spread spectrum clock of the input frequency.
- Optimized for frequency range from:
 - P1817A – 20 to 30MHz. Operation
 - P1817B – 10 to 20MHz Operation
- Internal loop filter minimizes external components and board space.
- Two selectable spread ranges.
- Low inherent cycle-to-cycle jitter.
- 3.3V or 5V operating voltage range.
- TTL or CMOS compatible outputs.
- Ultra-low power CMOS design.
 - 3.17mA @3.3V, 10MHz | 6.20mA@5.0V, 10MHz
 - 4.28mA @3.3V, 14MHz | 7.50mA @5.0V, 14MHz
 - 5.50mA @3.3V, 20MHz | 9.50mA @5.0V, 20MHz
- Supports notebook VGA and other LCD timing controller applications.
- SSON pin for Spread Spectrum On/Off and Standby Mode controls.
- Available in 8-pin SOIC and TSSOP.

Product Description

The P1817 is a versatile spread spectrum frequency modulator designed specifically for input clock frequencies. The P1817 reduces electromagnetic interference (EMI) at the clock source, allowing system wide reduction of EMI of

down stream clock and data dependent signals. The P1817 allows significant system cost savings by reducing the number of circuit board layers ferrite beads, shielding and other passive components that are traditionally required to pass EMI regulations.

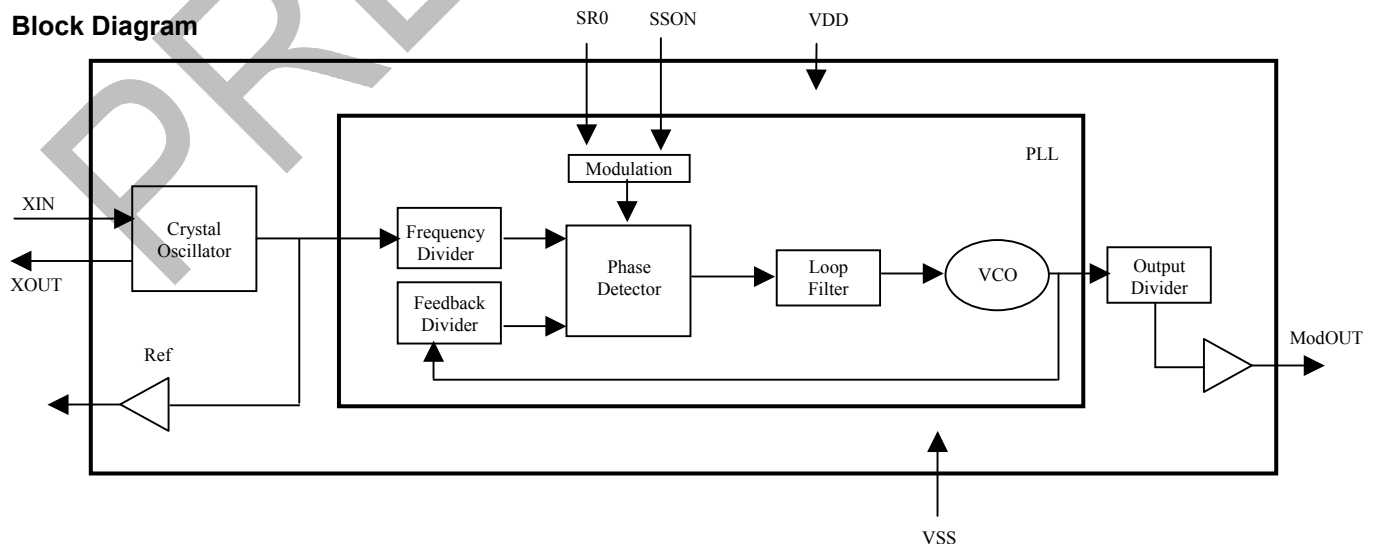
The P1817 modulates the output of a single PLL in order to “spread” the bandwidth of a synthesized clock, and more importantly, decreases the peak amplitudes of its harmonics. This results in significantly lower system EMI compared to the typical narrow band signal produced by oscillators and most frequency generators. Lowering EMI by increasing a signal’s bandwidth is called ‘spread spectrum clock generation’.

The P1817 uses the most efficient and optimized modulation profile approved by the FCC and is implemented in a proprietary all digital method.

Applications

The P1817 is targeted towards notebook VGA chip and other displays using an LVDS interface, PC peripheral devices, and embedded systems.

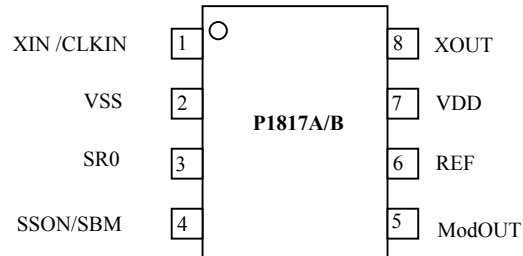
Block Diagram





rev 1.0

Pin Configuration



Pin Description

Pin#	Pin Name	Type	Description
1	XIN/CLKIN	I	Connect to externally generated clock signal. To put the part into standby mode, disable the input clock signal to this pin and pull SSON/SBM (pin 4) low. <i>Refer Standby Mode Selection Table.</i>
2	VSS	P	Ground Connection. Connect to system ground.
3	SR0	I	Digital logic input used to select Spreading Range. <i>Refer Spread Spectrum Selection Table.</i> This pin has an internal pull-up resistor.
4	SSON/SBM	I	Spread Spectrum On/Off and standby mode control. <i>Refer Standby Mode Selection Table.</i>
5	ModOUT	O	Spread spectrum clock output or reference output. <i>Refer Standby Mode Selection Table.</i>
6	REF	O	Reference output.
7	VDD	P	Connect to +3.3V or 5.0V.
8	XOUT	O	Connect to crystal. No connect if externally generated clock signal is used.



rev 1.0

Standby Mode Selection

CLKIN	SSON/SBM	Spread Spectrum	ModOUT	PLL	Mode
Disabled	0	N/A	Disabled	Disabled	Standby
Disabled	1	N/A	Disabled	Free Running	Free Running
Enabled	0	Off	Reference	Disabled	Buffer out
Enabled	1	On	Normal	Normal	Normal

Spread Range Selection, VDD = 5V

CLKIN frequency	SR0	Spreading Range	Modulation Rate
10 MHz	1	± 1.5%	(CLKIN/10) * 20.83KHz
	0	± 1.9%	
14.318MHz	1	± 1.36%	
	0	± 1.64%	
15MHz	1	± 1.3%	
	0	± 1.5%	
20MHz	1	± 0.95%	
	0	± 1.125%	

Spread Range Selection, VDD = 3.3V

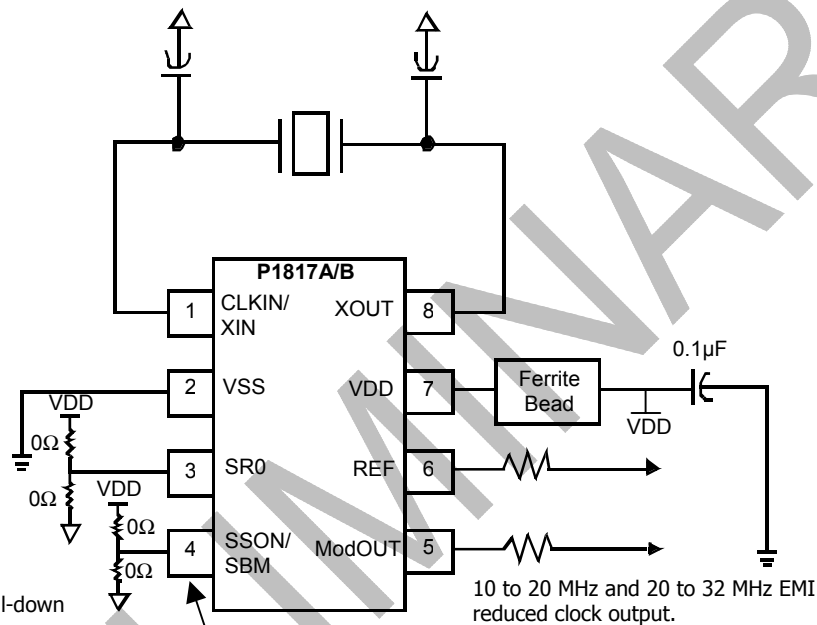
CLKIN frequency	SR0	Spreading Range	Modulation Rate
10 MHz	1	± 1.5%	(CLKIN/10) * 20.83KHz
	0	± 1.65%	
14.318MHz	1	± 1.4%	
	0	± 1.7%	
15MHz	1	± 1.37%	
	0	± 1.63%	
20MHz	1	± 1.1%	
	0	± 1.28%	



rev 1.0

Schematic for Notebook VGA Application

PRELIMINARY



Use either pull-up or pull-down resistors with 0Ω.

Pull pin 4 low to turn Spread Spectrum off and enable Standby Mode¹.

¹. To set the P1817 to standby mode, disable the input clock (pin 1 CLKIN), and pull pin 4 SSON/SBM low.



rev 1.0

Absolute Maximum Ratings

Symbol	Parameter	Rating	Unit
V_{DD}, V_{IN}	Voltage on any pin with respect to GND	-0.5 to + 7.0	V
T_{STG}	Storage temperature	-65 to +125	°C
T_A	Operating temperature	0 to 70	°C

Note: These are stress ratings only and functional operation is not implied. Exposure to absolute maximum ratings for extended periods may affect device reliability.

DC Electrical Characteristics

Symbol	Parameter	Min	Typ	Max	Unit	
V_{IL}	Input low voltage	GND – 0.3	-	0.8	V	
V_{IH}	Input high voltage	2.0	-	$V_{DD} + 0.3$	V	
I_{IL}	Input low current (pull-up resistors on inputs SR0 and SSON/SBM)	-	-	-35	μA	
I_{IH}	Input high current (pull-down resistor on input SSON#)	-	-	35	μA	
I_{XOL}	X_{OUT} output low current	@ 0.4V, $V_{DD} = 3.3V$	-	3	-	mA
		@ 0.4V, $V_{DD} = 5.0V$	-	20	-	
I_{XOH}	X_{OUT} output high current	@ 2.5V, $V_{DD} = 3.3V$	-	3	-	mA
		@ 4.5V, $V_{DD} = 5.0V$	-	20	-	
V_{OL}	Output low voltage	$V_{DD} = 3.3V, I_{OL} = 20mA$	-	-	0.4	V
		$V_{DD} = 5.0V, I_{OL} = 20mA$	-	-	-	
V_{OH}	Output high voltage	$V_{DD} = 3.3V, I_{OH} = 20mA$	2.5	-	-	V
		$V_{DD} = 5.0V, I_{OH} = 20mA$	4.5	-	-	
I_{CC}	Dynamic supply current normal mode	Normal Mode	f_{IN-min}	f_{IN-typ}	f_{IN-max}	mA
		3.3V and 10pF loading	3.2	-	7.0	
		5.0V and 10pF loading	6.2	-	13.6	
I_{DD}	Static supply current standby mode	-	0.6	-	mA	
V_{DD}	Operating voltage	2.7	3.3	5.5	V	
t_{ON}	Power up time (first locked clock cycle after power up)	-	0.18	-	mS	
Z_{OUT}	Clock output impedance	-	50	-	Ω	



rev 1.0

AC Electrical Characteristics

Symbol	Parameter	Min	Typ	Max	Unit	
f_{IN}	Input frequency (See device type P1817A or P1817B).	10	-	32	MHz	
f_{OUT}	Output frequency (See device type P1817A or P1817B).	10	-	32	MHz	
t_{LH}^*	Output rise time	Measured at 0.8V to 2.0V	0.7	0.9	1.1	ns
		Measured at 1.2V to 3.75V	-	0.75	-	ns
t_{HL}^*	Output fall time	Measured at 0.8V to 2.0V	0.6	0.8	1.0	ns
		Measured at 1.2V to 3.75V	-	0.75	-	ns
t_{JC}	Jitter (cycle to cycle)	-	-	360	ps	
t_D	Output duty cycle	45	50	55	%	
* t_{LH} and t_{HL} are measured into a capacitive load of 15pF						

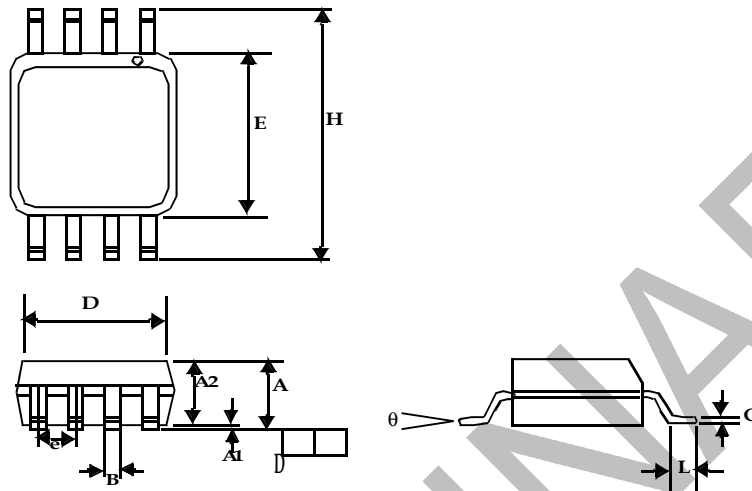
PRELIMINARY



rev 1.0

Package Information

Mechanical Package Outline 8-Pin SOIC



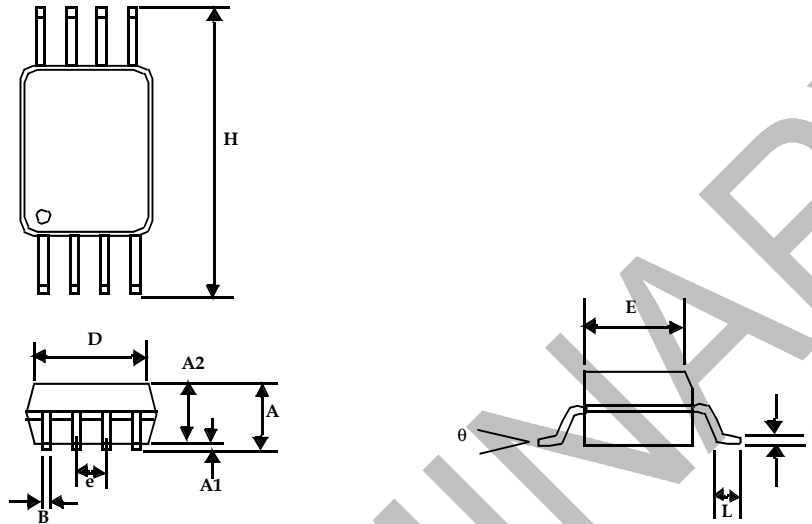
Symbol	Dimensions in inches		Dimensions in millimeters	
	Min	Max	Min	Max
A	0.057	0.071	1.45	1.80
A1	0.004	0.010	0.10	0.25
A2	0.053	0.069	1.35	1.75
B	0.012	0.020	0.31	0.51
C	0.004	0.01	0.10	0.25
D	0.186	0.202	4.72	5.12
E	0.148	0.164	3.75	4.15
e	0.050 BSC		1.27 BSC	
H	0.224	0.248	5.70	6.30
L	0.012	0.028	0.30	0.70
θ	0°	8°	0°	8°

Note: Controlling dimensions are millimeters
SOIC – 0.074 grams unit weight



rev 1.0

Mechanical Package Outline 8-Pin TSSOP



Symbol	Dimensions in inches		Dimensions in millimeters	
	Min	Max	Min	Max
A		0.047		1.10
A1	0.002	0.006	0.05	0.15
A2	0.031	0.041	0.80	1.05
B	0.007	0.012	0.19	0.30
C	0.004	0.008	0.09	0.20
D	0.114	0.122	2.90	3.10
E	0.169	0.177	4.30	4.50
e	0.026 BSC		0.65 BSC	
H	0.244	0.260	6.20	6.60
L	0.018	0.030	0.45	0.75
θ	0°	8°	0°	8°

Note: Controlling dimensions are millimeters
TSSOP – 0.034 grams unit weight

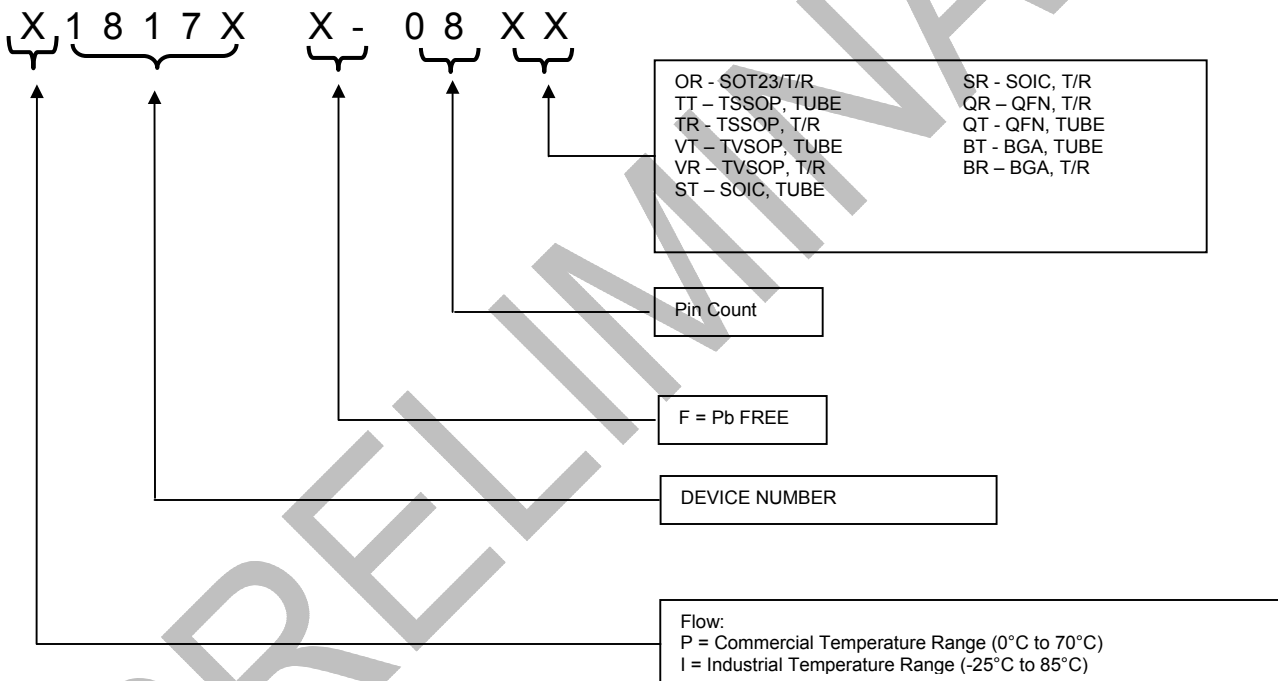


rev 1.0

Ordering Codes

Part Number	Marking	Input Frequency (MHz)	Package Type	Pb Free	Qty per reel	Temperature (°C)
P1817A-08ST	P1817A	20-32	8-pin SOIC, tube	No		0 to 70
P1817AF-08ST	P1817AF	20-32	8-pin SOIC, tube	Yes		0 to 70
I1817A-08SR	I1817A	20-32	8-pin SOIC, tape & reel	No	2500	-20 to 85
I1817BF-08TR	I1817BF	10-20	8-pin SOIC, tape & reel	Yes	2500	-20 to 85

Device Ordering Information



Licensed under US patent Nos 5,488,627 and 5,631,920.
 Preliminary datasheet. Specification subject to change without notice.



rev 1.0



Alliance Semiconductor Corporation
2595, Augustine Drive,
Santa Clara, CA 95054
Tel# 408-855-4900
Fax: 408-855-4999
www.alsc.com

Copyright © Alliance Semiconductor
All Rights Reserved
Preliminary Information
Part Number: P1817A/B
Document Version: v1.0

© Copyright 2003 Alliance Semiconductor Corporation. All rights reserved. Our three-point logo, our name and Intelliwatt are trademarks or registered trademarks of Alliance. All other brand and product names may be the trademarks of their respective companies. Alliance reserves the right to make changes to this document and its products at any time without notice. Alliance assumes no responsibility for any errors that may appear in this document. The data contained herein represents Alliance's best data and/or estimates at the time of issuance. Alliance reserves the right to change or correct this data at any time, without notice. If the product described herein is under development, significant changes to these specifications are possible. The information in this product data sheet is intended to be general descriptive information for potential customers and users, and is not intended to operate as, or provide, any guarantee or warranty to any user or customer. Alliance does not assume any responsibility or liability arising out of the application or use of any product described herein, and disclaims any express or implied warranties related to the sale and/or use of Alliance products including liability or warranties related to fitness for a particular purpose, merchantability, or infringement of any intellectual property rights, except as express agreed to in Alliance's Terms and Conditions of Sale (which are available from Alliance). All sales of Alliance products are made exclusively according to Alliance's Terms and Conditions of Sale. The purchase of products from Alliance does not convey a license under any patent rights, copyrights; mask works rights, trademarks, or any other intellectual property rights of Alliance or third parties. Alliance does not authorize its products for use as critical components in life-supporting systems where a malfunction or failure may reasonably be expected to result in significant injury to the user, and the inclusion of Alliance products in such life-supporting systems implies that the manufacturer assumes all risk of such use and agrees to indemnify Alliance against all claims arising from such use.