

8 Pin DIP Delayed Pulse Width Generator TTL Compatible Active Delay Line Modules

Features

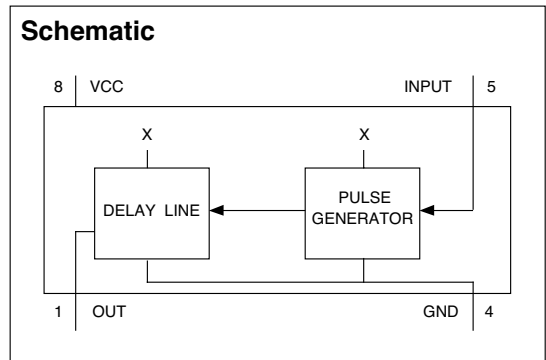
- Precise output pulse width
- Positive-edge triggered (10 nS) min.
- Fast rise and fall time (4 nS max. measured from 0.75V to 2.4V)

PART NUMBER**	PULSE WIDTH *	PART NUMBER**	PULSE WIDTH *
EPA230-(Td)-5	5 ±1	EPA230-(Td)-35	35 ±1.5
EPA230-(Td)-6	6 ±1	EPA230-(Td)-40	40 ±1.5
EPA230-(Td)-7	7 ±1	EPA230-(Td)-50	50 ±1.5
EPA230-(Td)-8	8 ±1	EPA230-(Td)-60	60 ±1.5
EPA230-(Td)-9	9 ±1	EPA230-(Td)-70	70 ±2
EPA230-(Td)-10	10 ±1	EPA230-(Td)-75	75 ±2
EPA230-(Td)-15	15 ±1	EPA230-(Td)-80	80 ±2
EPA230-(Td)-20	20 ±1	EPA230-(Td)-90	90 ±3
EPA230-(Td)-25	25 ±1	EPA230-(Td)-100	100 ±3
EPA230-(Td)-30	30 ±1		

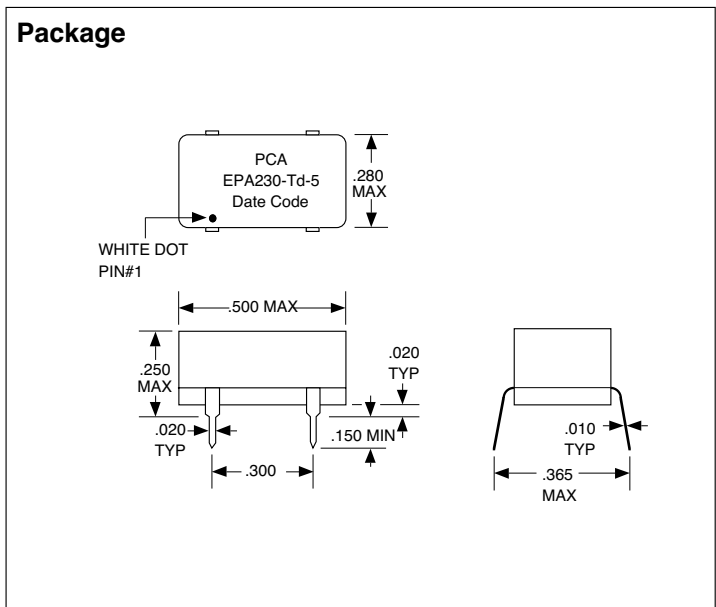
* Measured at 1.5V Levels

** Td is the delay time (in nS) from trigger pulse to the leading edge of the output pulse.

DC Electrical Characteristics				
Parameter	Test Conditions	Min	Max	Unit
V _{OH}	High-Level Output Voltage	V _{CC} = min. V _{IL} = max. I _{OH} = max	2.7	V
V _{OL}	Low-Level Output Voltage	V _{CC} = min. V _{IH} = min. I _{OL} = max	0.5	V
V _{IK}	Input Clamp Voltage	V _{CC} = min. I _I = I _{IK}	-1.2V	V
I _{IH}	High-Level Input Current	V _{CC} = max. V _{IN} = 2.7V	50	µA
I _{IL}	Low-Level Input Current	V _{CC} = max. V _{IN} = 0.5V	-2	mA
I _{OS}	Short Circuit Output Current	V _{CC} = max.	-100	mA
I _{CCH}	High-Level Supply Current	V _{CC} = max. V _{IN} = OPEN	75	mA
I _{CCL}	Low-Level Supply Current	V _{CC} = max. V _{IN} = 0	75	mA
N _H	Fanout High-Level Output	V _{CC} = max. V _{OH} = 2.7V	20 TTL LOAD	
N _L	Fanout Low-Level Output	V _{CC} = max. V _{OL} = 0.5V	10 TTL LOAD	



Recommended Operating Conditions				
Parameter	Min	Max	Unit	
V _{CC}	4.75	5.25	V	Supply Voltage
V _{IH}	2.0		V	High-Level Input Voltage
V _{IL}		0.8	V	Low-Level Input Voltage
I _{IK}		-18	mA	Input Clamp Current
I _{OH}		-1.0	mA	High-Level Output Current
I _{OL}		20	mA	Low-Level Output Current
P	P _{WO} x2		nS	Period
P _{WI}	10		nS	Input Pulse Width
T _A	0	+70	°C	Operating Free-Air Temperature



Input Pulse Test Conditions @ 25° C				Unit
E _{IN}	Pulse Input Voltage	3.2		Volts
T _{RI}	Pulse Rise Time	2.0		nS
P _{WI}	Pulse Width	10		nS
P	Period	P _{WO} x2		nS
	(For EP9981-5)	20		nS
V _{CC}	Supply Voltage	5.0		Volts

DSA230 8/25/94

QAF-CSO1c Rev. B 8/25/94

Unless Otherwise Noted Dimensions in Inches
Tolerances:
Fractional = ± 1/32
.XX = ± .030 .XXX = ± .010



16799 SCHOENBORN ST.
NORTH HILLS, CA 91343
TEL: (818) 892-0761
FAX: (818) 894-5791 **45**