



### Features

- Low distortion transformer signal coupling
- Complete ring detector circuit
- Low power hookswitch
- Electronic inductor/gyrator circuit
- Surge protection
- V.32 bis /V.34 compatible
- PC board mountable
- 16kHz metering filter

### Applications

- Home medical devices
- Plant monitoring equipment
- Security/alarm systems
- Utility meters
- Modems
- Voicemail systems
- Vending machines
- Elevator control boxes
- Network routers
- PBX Systems
- PC mother boards
- Telephony applications
- Digital telephone answering machines

### Description

Clare's Cybergate™ 23XX DAA modules provide a complete telephone line interface circuit in a small 1.07" x 1.07" x 0.4" package. This module provides a fast and cost effective solution for designs that require an interface to the telephone line. The CYG23XX0 is designed to meet PTT and safety regulations in Germany.

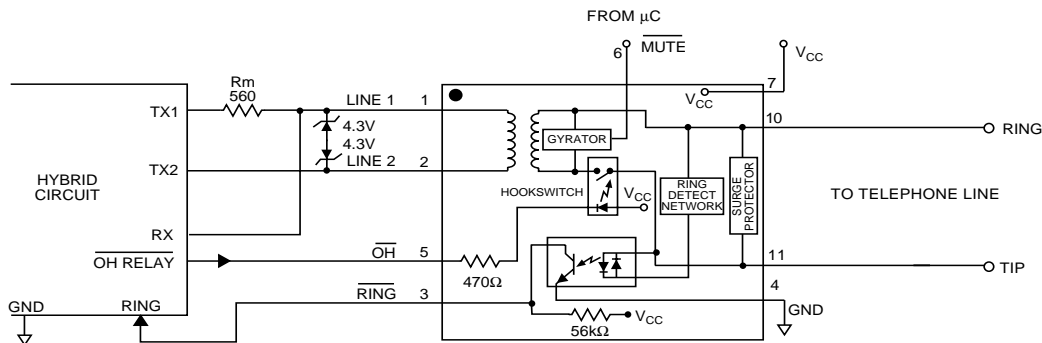
### Approvals

- BSI Approved to EN60950  
Certification #: 8123

### Ordering Information

Part #	Description
CYG2300	DAA Module Germany
CYG2320	DAA Module Australia

### Block Diagram



### Handling and Assembly Recommendations

The CYG23XX products are not hermetically sealed and should not be exposed to any liquid-based rinsing processes. Clare recommends two (2) approaches. The modem should either use a no clean soldering flux that would mostly evaporate during the normal wave soldering processes, or be soldered in by hand after the rest of the card is wave soldered.

### Absolute Maximum Ratings (@ 25° C)

Parameter	Min	Typ	Max	Units
Isolation Voltage	-	-	1500	$V_{RMS}$
Operational Temperature	0	-	70	°C
Storage Temperature	0	-	100	°C
Relative Humidity (Non-Condensing)	10	-	85	%
Soldering Temperature	-	-	260	°C
Tip/Ring Load Current (continuous)	-	-	120	mA
Hookswitch LED Drive Current	-	-	50	mA
Hookswitch LED Reverse Voltage	-	-	5	V
Ring Detect Phototransistor Voltage $V_{CC}$	-	-	20	V

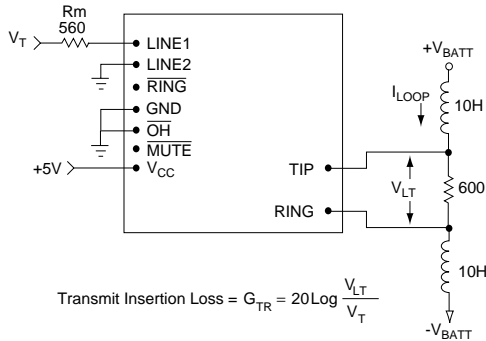
*Absolute Maximum Ratings are stress ratings. Stresses in excess of these ratings can cause permanent damage to the device. Functional operation of the device at these or any other conditions beyond those indicated in the operational sections of this data sheet is not implied. Exposure of the device to the absolute maximum ratings for an extended period may degrade the device and effect its reliability.*

### Electrical Characteristics

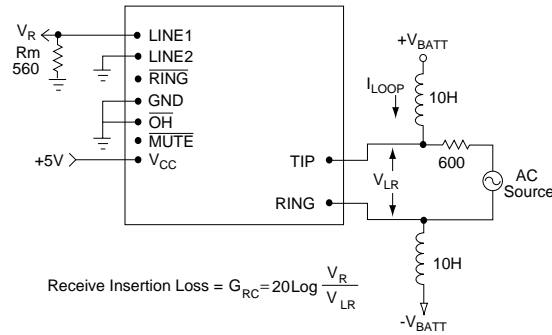
Parameter	Conditions	Min	Typ	Max	Unit
<b>DC Electrical Characteristics</b>					
On-Hook Impedance	$V_{TIP}$ -Ring=100VDC	10	-	-	$M\Omega$
On-Hook Line Leakage Current	$V_{TIP}$ -Ring=100VDC	-	-	10	$\mu A$
Off-Hook Relay Supply Current	$V_{CC}$ =5V	7	8	9	mA
Hookswitch Power Source DC Loop Current	-	4.75	5.0	20	V mA
Mute Relay Supply Current	$V_{CC}$ =5V	7	8	9	mA
<b>AC Signal Path Electrical Characteristics</b>					
Return Loss	f=300-3500Hz	14	25	-	dB
Insertion Loss					
Transmit	Test Circuit 1	-	-	7	dB
Receive	Test Circuit 2	-	-	7	dB
Frequency Response	f=300-3500Hz	-0.25	-	+0.25	dB
Longitudinal Balance					
On-Hook	-	60	-	-	dB
Off-Hook	-	40	-	-	dB
Total Harmonic Distortion	f=350Hz, P=-10dBm	-	-80	-	dB
Secondary Load Impedance	Line 1 and Line 2	-	100	-	$\Omega$
Primary Source Impedance	Tip and Ring	-	600	-	$\Omega$
<b>Ring Detection Circuit Characteristics</b>					
Ringing Voltage Detection Range	-	29	-	-	$V_{RMS}$
Ringing Frequency Detection Range	50-70Hz	15	-	70	Hz
Ringer Impedance	f=25Hz	-	18	-	$K\Omega$
RING Output Voltage (Pulsed)	$V_{CC}$ =+5V				
Logic '0', Ring present		-	-	0.8	V
Logic '1', Ring not present		-	-	$V_{CC}$	V
<b>Surge, Transient, and Isolation Characteristics</b>					
Surge Protection Voltage Tip and Ring	-	-	-	300	V
Isolation Voltage (Pins 1-7 to 10-11)	60 Seconds	-	-	1500	$V_{RMS}$

### Test Circuits

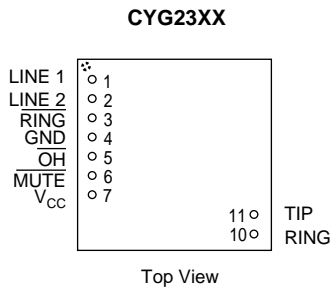
1. CYG23XX Transmit Insertion Loss



2. CYG23XX Receive Insertion Loss



### Package Pinouts

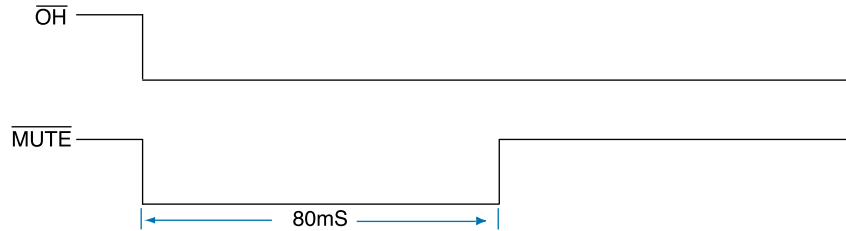


CYG23XX Pinouts & Definitions

PIN#	I/O	Name	Function
1	I/O	LINE1	Transformer isolated audio signal coupling path for the telephone line.
2	I/O	LINE2	Transformer isolated audio signal coupling path for the telephone line.
3	O	$\overline{\text{RING}}$	Active LOW indicates an incoming ring signal. This is pulsed LOW by the AC ring signal at the ring frequency.
4	I	GND	Connected to host system ground.
5	I	$\overline{\text{OH}}$	Driving this pin LOW asserts the off-hook condition. The hookswitch LED is current limited by an internal 470W resistor.
6	I	$\overline{\text{MUTE}}$	Driving this pin LOW activates the mute relay for pulse dialing. See Figure 1. The mute relay LED is current limited by an internal 470W resistor or
7	I	V <sub>CC</sub>	Provides power to the hookswitch LED. Typically +5V for 8mA LED current. LED is current limited by an internal 470W resistor. V <sub>CC</sub> should not exceed 20V.
11	I/O	RING	Connection to telephone line Ring conductor.
10	I/O	TIP	Connection to telephone line Tip conductor.

**Off-Hook Transient Requirement**

In order to meet Section 4.6.1 of the CTR-21 requirement, it is necessary to assert the MUTE pin of the CYG23XX for a duration of 80mS after the OH pin is driven low as shown in Figure 1. This can be accomplished via the host firmware or external hardware as shown in Figures 2 and 3 respectively.



MUTE and OH Timing  
Figure 1

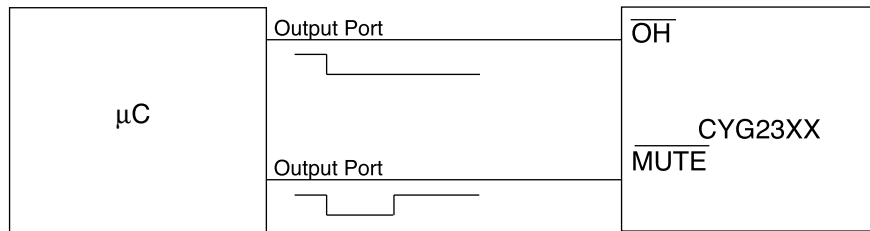
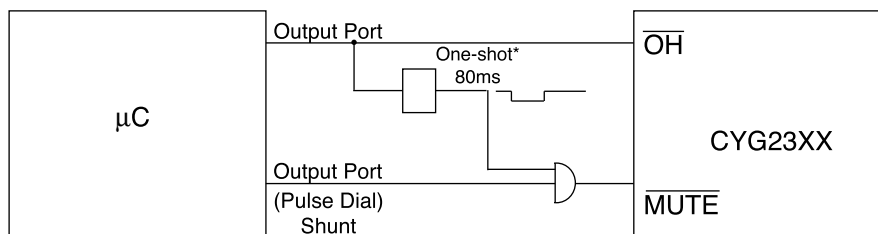


Figure 2



\* Micrel MIC1555 or Equivalent

Figure 3

Asserting the MUTE pin causes the internal gyrator circuit in the CYG23XX to be bypassed, allowing low impedance pulse dialing to be performed by pulsing the OH pin. In Figure 2, the microcontroller output port going to the MUTE pin is used as a shunt for low impedance dialing and is asserted for 80mS when the OH signal is asserted. This method is preferred when the user has control of the host firmware and can easily write a subroutine to accomplish this function.

For users that do not have easy access to the modem firmware, some external hardware can be added to accomplish the same function. Figure 3 shows a monostable (one-shot) such as a 555 timer which is designed to generate an 80mS low going pulse upon the assertion of the OH signal. This 80mS pulse is ANDed with the low impedance pulse dial shunt signal which overrides the 80mS signal when pulse dialing is enabled. The pulse dial shunt signal is included as a standard output pin in most modem chipsets. This pin is activated when an ATDP command is issued to the modem.



**CLARE**

MICRO CHIPS.  
MACRO SOLUTIONS.

## Worldwide Sales Offices

### CLARE LOCATIONS

Clare Headquarters  
78 Cherry Hill Drive  
Beverly, MA 01915  
Tel: 1-978-524-6700  
Fax: 1-978-524-4900  
Toll Free: 1-800-27-CLARE

Clare Micronix Division  
145 Columbia  
Aliso Viejo, CA 92656-1490  
Tel: 1-949-831-4622  
Fax: 1-949-831-4628

### SALES OFFICES

#### AMERICAS

##### Americas Headquarters

Clare  
78 Cherry Hill Drive  
Beverly, MA 01915  
Tel: 1-978-524-6700  
Fax: 1-978-524-4900  
Toll Free: 1-800-27-CLARE

##### Eastern Region

Clare  
P.O. Box 856  
Mahwah, NJ 07430  
Tel: 1-201-236-0101  
Fax: 1-201-236-8685  
Toll Free: 1-800-27-CLARE

##### Central Region

Clare Canada Ltd.  
3425 Harvester Road, Suite 202  
Burlington, Ontario L7N 3N1  
Tel: 1-905-333-9066  
Fax: 1-905-333-1824

##### Western Region

Clare  
1852 West 11th Street, #348  
Tracy, CA 95376  
Tel: 1-209-832-4367  
Fax: 1-209-832-4732  
Toll Free: 1-800-27-CLARE

##### Canada

Clare Canada Ltd.  
3425 Harvester Road, Suite 202  
Burlington, Ontario L7N 3N1  
Tel: 1-905-333-9066  
Fax: 1-905-333-1824

### EUROPE

#### European Headquarters

CP Clare nv  
Bampslaan 17  
B-3500 Hasselt (Belgium)  
Tel: 32-11-300868  
Fax: 32-11-300890

#### France

Clare France Sales  
Lead Rep  
99 route de Versailles  
91160 Champlan  
France  
Tel: 33 1 69 79 93 50  
Fax: 33 1 69 79 93 59

#### Germany

Clare Germany Sales  
ActiveComp Electronic GmbH  
Mitterstrasse 12  
85077 Manching  
Germany  
Tel: 49 8459 3214 10  
Fax: 49 8459 3214 29

#### Italy

C.L.A.R.E.s.a.s.  
Via C. Colombo 10/A  
I-20066 Melzo (Milano)  
Tel: 39-02-95737160  
Fax: 39-02-95738829

#### Sweden

Clare Sales  
Comptronic AB  
Box 167  
S-16329 Spånga  
Tel: 46-862-10370  
Fax: 46-862-10371

#### United Kingdom

Clare UK Sales  
Marco Polo House  
Cook Way  
Bindon Road  
Taunton  
UK-Somerset TA2 6BG  
Tel: 44-1-823 352541  
Fax: 44-1-823 352797

### ASIA PACIFIC

#### Asian Headquarters

Clare  
Room N1016, Chia-Hsin, Bldg II,  
10F, No. 96, Sec. 2  
Chung Shan North Road  
Taipei, Taiwan R.O.C.  
Tel: 886-2-2523-6368  
Fax: 886-2-2523-6369

<http://www.clare.com>

---

*Clare cannot assume responsibility for use of any circuitry other than circuitry entirely embodied in this Clare product. No circuit patent licenses nor indemnity are expressed or implied. Clare reserves the right to change the specification and circuitry, without notice at any time. The products described in this document are not intended for use in medical implantation or other direct life support applications where malfunction may result in direct physical harm, injury or death to a person.*

---

Specification: DS-CYG23XX-R1  
©Copyright 2000, Clare, Inc.  
All rights reserved. Printed in USA.  
1/12/01