

With fuse holders and voltage selectors

A range of compact IEC 60320 inlet power entry modules combining 1 or 2 fuse holders for US and IEC fuses. Plus input voltage selector with 4 possible combinations. These features ensure the range is ideally suited for manufacturers of business, consumer and medical equipment for international markets.

- Current ratings from 1A to 6A
- Integral single or twin fuse holder
- Voltage selector
- Snap-in or screw mount versions
- Medical versions available

Mechanical Specifications

Manufacture: metal case with built-in power line connector according to IEC 60320, 1 (F.MF) or 2 (F.MG) fuse holders for fuses 5 x 20mm (IEC) or 6.3 x 32mm (US), voltage selector with 4 possible combinations; internal components sealed with self-extinguishing resin.

Connections: IEC 60320 - Standard plug (INPUT);
faston 6.3 x 0.5mm or 2.8 x 0.5mm for filter output terminals;
faston 2.8 x 0.5mm for fuse terminals;
faston 2.8 x 0.5mm for voltage selector terminals;
ground terminal connected to case.

Electrical Specifications

Rated voltage (V_R): max 250V, 50/60Hz

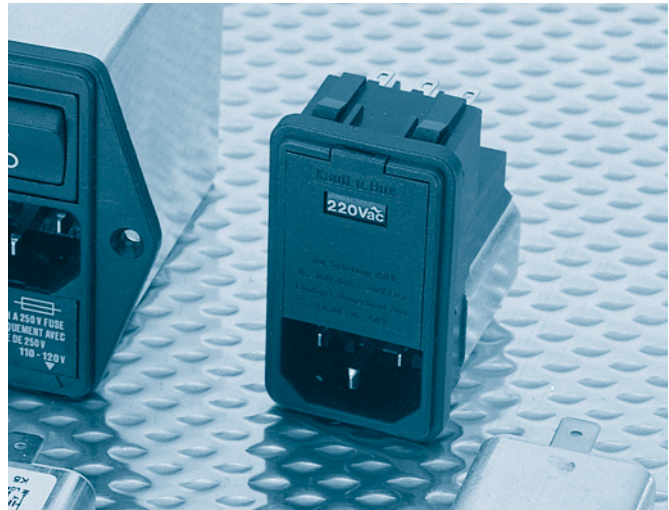
Rated current (I_R): referred to room temperature = 40°C

Leakage current (I_L): at 220V, 50Hz, max value

Voltage test ($2s_s$): line to ground 3000Vdc or 1800Vac
line to line 1700Vdc

Climatic category: HPF (25/085/21);
Temperature range: -25°C to +85°C

Voltage selector: 110-220-240Vac
100-120-220-240Vac
115-115-230-230Vac
110-220Vac



Filter Range

(example pt no. - F.MF01A.01.01.FA)

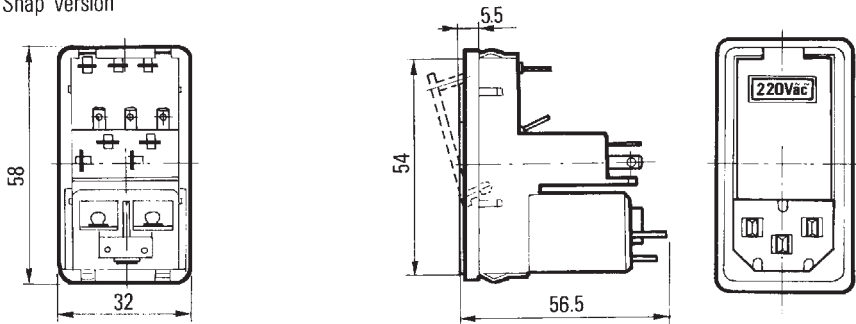
Code	I_R (A)	L (mH)	Cx (μ F)	Cy (pF)	I_L (mA)	R (M Ω)
F.MF. 01A.	01.- - - -	1	2 x 10	0.047	2 x 2500	2 x 0.23
	04.- - - -				2 x 0.002	
	07.- - - -				2 x 0.002	1
F.MG. 03A.	02.- - - -	3	2 x 2.5	0.047	2 x 2500	2 x 0.23
	05.- - - -				2 x 0.002	
	08.- - - -				2 x 0.002	1
06A.	03.- - - -	6	2 x 1	0.047	2 x 2500	2 x 0.23
	06.- - - -				2 x 0.002	
	09.- - - -				2 x 0.002	1

- A = Filter output terminals 2.8 x 0.5mm
- C = Filter output terminals 6.3 x 0.8mm
- F = Snap-in mounting
- G = Screw mounting
- 01 = fuse 5 x 20mm + voltage selector 110-220-240V~
- 02 = fuse 5 x 20mm + voltage selector 100-120-220-240V~
- 03 = fuse 5 x 20mm + voltage selector 115-115-230-230V~
- 08 = fuse 6.3 x 32mm + voltage selector 110-220-240V~
- 09 = fuse 6.3 x 32mm + voltage selector 100-120-220-240V~
- 10 = fuse 6.3 x 32mm + voltage selector 115-115-230-230V~
- 15 = fuse 5 x 20mm + voltage selector 110-220V~
- 16 = fuse 6.3 x 32mm + voltage selector 110-220V~
- 19 = fuse 5 x 20mm + voltage selector 100-120-220-230V~
- 20 = fuse 6.3 x 32mm + voltage selector 100-120-230-240V~
- 21 = fuse 5 x 20mm + voltage selector 100-120-230-240V~

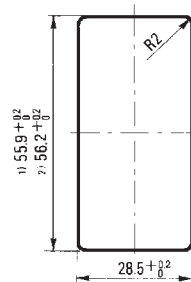
F = 1 fuse
G = 2 fuses

Dimensions (mm) and connections

Snap version



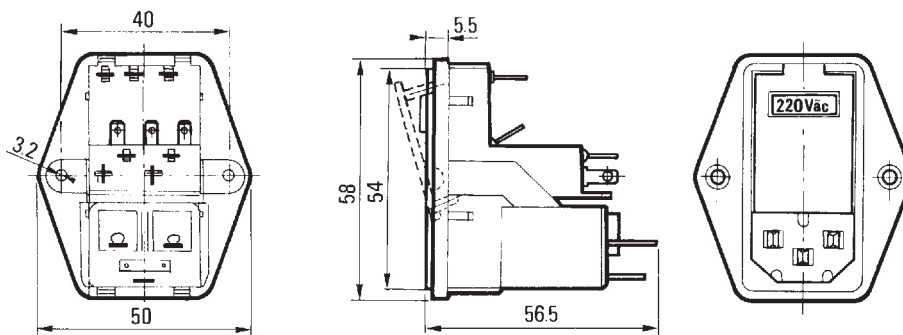
Snap version



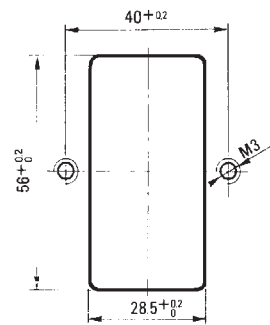
Thickness of mounting panels

- 1) 0.8-2.0 mm
- 2) 2.1-3.2 mm

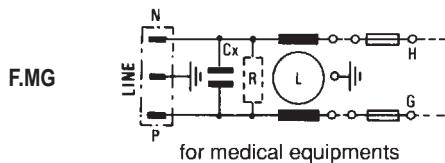
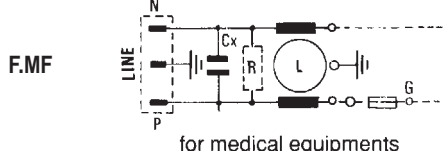
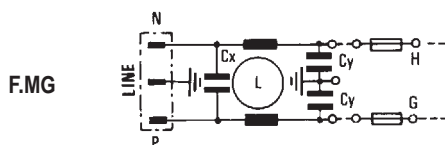
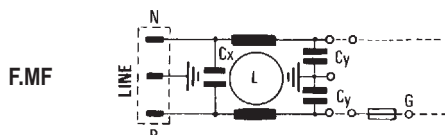
Screw version



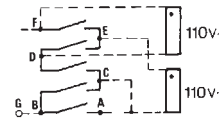
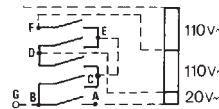
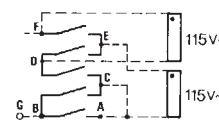
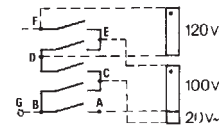
Screw version



Circuit diagram



--- External Connections



--- External Connections

	100V~	120V~	220V~	240V~
F-E	○ ○	○ ○		
D-E			○ ○	○ ○
D-C	○ ○	○ ○		
B-C		○ ○	○ ○	○ ○
B-A	○ ○		○ ○	

	115V~	115V~	230V~	230V~
F-E	○ ○	○ ○		
D-E			○ ○	○ ○
D-C	○ ○	○ ○		
B-C		○ ○	○ ○	○ ○
B-A	○ ○		○ ○	

	110V~	220V~	240V~
F-E	○ ○		
D-E			
D-C	○ ○	○ ○	
B-C	○ ○	○ ○	
B-A			○ ○

	110V~	220V~
F-E	○ ○	
D-E		○ ○
D-C	○ ○	
B-C	○ ○	
B-A		○ ○

IEC Inlet Filters

F.MF-F.MG series

Insertion loss (typical): — Asymmetrical (line to ground) with Cy - - - Asymmetrical (line to ground) without Cy - - - Symmetrical (line to line)

