

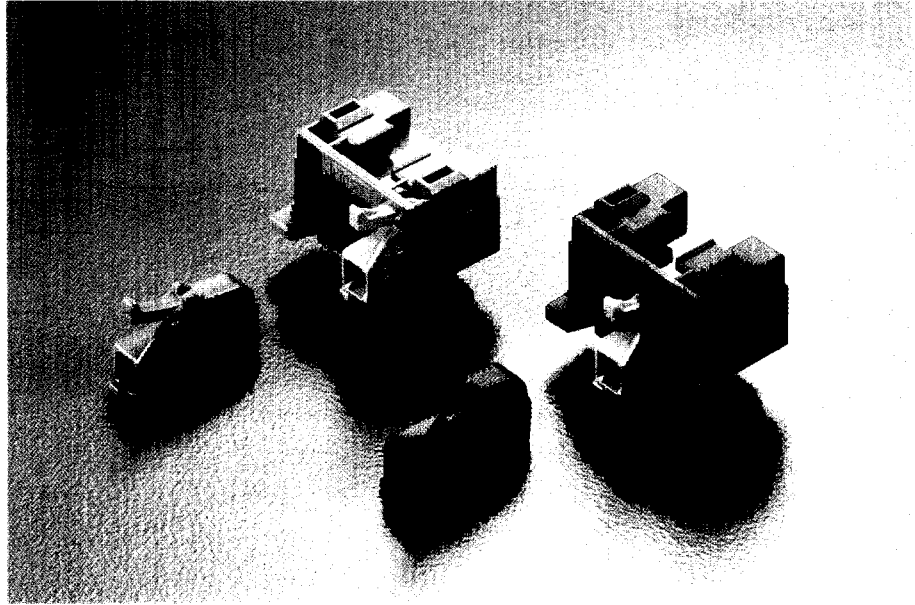
Shunt housings

DCS-2

4 way shunt housings for 2.8 mm terminals

Features

- Direct attachment to junction box
- Plastic locking feature
- Several colours available



Part Numbers	No. of Position	Terminal size	Type	Colour
6 031 04 00	4	2.8 x 0.8 mm	Male shunt	Orange
6 031 04 01	4	2.8 x 0.8 mm	Male shunt	Black
6 031 04 02	4	2.8 x 0.8 mm	Male shunt	Brown
6 031 04 03	4	2.8 x 0.8 mm	Male shunt	Red
6 031 04 04	4	2.8 x 0.8 mm	Male shunt	Yellow
6 031 04 05	4	2.8 x 0.8 mm	Male shunt	Blue
6 031 04 06	4	2.8 x 0.8 mm	Male shunt	White
6 031 04 07	4	2.8 x 0.8 mm	Male shunt	Green
6 031 04 08	4	2.8 x 0.8 mm	Male shunt	Grey
6 020 11 00	1	2.8 mm	Single cavity housing	Orange
6 020 11 01	1	2.8 mm	Single cavity housing	Black
6 020 11 02	1	2.8 mm	Single cavity housing	Brown
6 020 11 03	1	2.8 mm	Single cavity housing	Red
6 020 11 04	1	2.8 mm	Single cavity housing	Yellow
6 020 11 05	1	2.8 mm	Single cavity housing	Blue
6 020 11 06	1	2.8 mm	Single cavity housing	White
6 020 11 07	1	2.8 mm	Single cavity housing	Green
6 020 11 08	1	2.8 mm	Single cavity housing	Grey

Performance characteristics

- Temperature range :
from -40°C to +120°C
- Contact retention force : > 80 N
- Contact insertion force : < 15 N

Construction

- Housing material : Polyamide
- Tab material and plating :
CuZn/Unplated

Connector compatibility

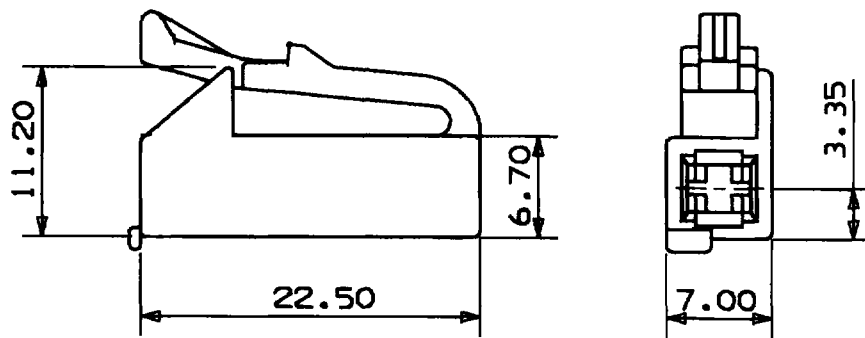
- Usable terminals :
DCS-2 2.8 mm terminals

Shunt housings

DCS-2

Dimensional characteristics

Female housing



Shunt

