

LEVER SWITCHES (continued)

TELEVER® SWITCH

SERIES 6000, 16000

Telephone-type lever switches offer many circuit combinations in 2- and 3-position types, locking and non-locking functions. "Telever" switches mount on .875 inch (22.22 mm) horizontal centers or 2.559 inches (65.0 mm) vertical centers. When Escutcheon Plate Number 530 is used for mounting Series 6000, mounting centers are .969 inch (24.61 mm) horizontally and 2.250 (57.15 mm) inches vertically.

SPECIFICATIONS

Frame: Steel, plated.

Bushing: Series 16000: Copper alloy, plated.

Springs: Copper alloy.

Contact Ratings: Welded cross bar palladium contacts rated at 2A, 200W maximum AC non-inductive load standard. Other contacts available, see "SPECIAL ORDER FEATURES".

Knob: "Tear-drop," screw-on, black thermoplastic knob standard. Other colors available, see "SPECIAL ORDER FEATURES".

Actuator: Series 6000: Copper alloy, plated. Series 16000: Steel, plated.

Terminals: Tin dipped solder lugs.

Mounting Hardware: Series 6000: Four #3-48 machine screws (not supplied). Series 16000: Supplied with copper alloy plated locknut (P10531); Steel, plated non-turn washer (P10639). Knurled locknut (T10711) available on special order.

Insulation: Rigid plastic spacers with plastic tubing through stack assembly. Lifters of phenolic and/or thermoplastic. Actuator rollers of molded plastic.

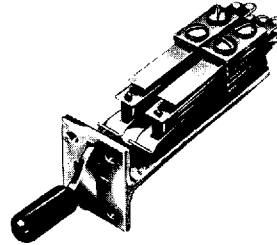
Temperature Range: -22°F to 158°F (-30°C to +70°C).

Dielectric Strength: 1 kV DC.

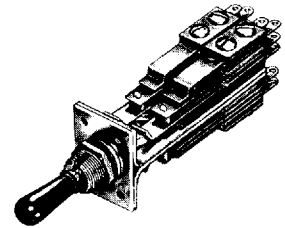
Leakage Resistance: 1,000 MΩ or greater.

SPECIAL ORDER FEATURES

1. Talk-Listen (Intercom) function.
2. Fine silver contacts or gold alloy contacts are available. See page 295.
3. Colored knobs available. (See "Knobs" page 305).
4. UL recognized switches. (See page 297).
5. Wire-wrapping terminals.



SERIES 6000



SERIES 16000

PART NUMBERS 2 POSITION NON-LOCKING

Part Numbers		Switching	Stack Heights	
Series 6000	Series 16000 ¹		Dim. "Y"	Dim. "X"
◇6006	16006	2-C	.219 (5.56)	.500 (12.70)
◇6006D	◇16006D	2-D	.219 (5.56)	.563 (14.30)
◇6008	◇16008	4-A	.219 (5.56)	.625 (15.88)
◇6009	◇16009	3-C	.219 (5.56)	.750 (19.05)
◇60012	160012	4-C	.219 (5.56)	.750 (19.05)
◇60012D	◇160012D	4-D	.219 (5.56)	.875 (22.22)
◇60024	160024	8-C	.219 (5.56)	1.219 (30.96)

3 POSITION NON-LOCKING

Series 6000	Series 16000 ¹	Pos.1	Pos.2	Dim. "Y"	Dim. "X"
◇6036	16036	1-C	1-C	.563 (14.30)	.500 (12.70)
◇6036D	◇16036D	1-D	1-D	.563 (14.30)	.563 (14.30)
◇6038	◇16038	2-A	2-A	.438 (11.12)	.438 (11.12)
◇60312	160312	2-C	2-C	.563 (14.30)	.500 (12.70)
◇60312D	◇160312D	2-D	2-D	.563 (14.30)	.563 (14.30)
◇60316	◇160316	4-A	4-A	.625 (15.88)	.625 (15.88)
◇60324	160324	4-C	4-C	.813 (20.65)	.813 (20.65)

NOTE: Momentary switches can be converted to locking switches by removing a stop plate. To avoid ordering special switches, order a larger standard circuit, providing the circuit meets your requirements.

◇ Special order only; contact Switchcraft.

¹ Add suffix "L" to part number for locking type. Special order only.

DIMENSIONS ARE FOR REFERENCE ONLY $\frac{\text{Inch}}{(\text{mm})}$

NOTE: Contact your Switchcraft Representative for price and delivery.

LEVER SWITCHES

DESIGN FEATURES

High quality, field-proven Switchcraft® lever switches are available in a wide selection of illuminated and non-illuminated versions, 2- and 3-position, locking and non-locking functions can be provided. Switchcraft illuminated lever switches feature choice of colors, wide selection of switching circuits, single lamp illumination and ease of mounting and lamp replacement.

All switches utilize nickel silver springs without "form" at point of flexing to insure long spring life. The springs are assembled into a conventional stack assembly, insulated from each other by phenolic spacers with plastic tubing press-fit through each stack, insuring correct alignment of contacts and providing high insulation resistance.

APPLICATIONS

Various front panel switching applications on computers, telecommunications systems, industrial control equipment, intercoms, ground support systems, medical electronics, scientific instruments, broadcast consoles and test instrumentation.

CONTACTS

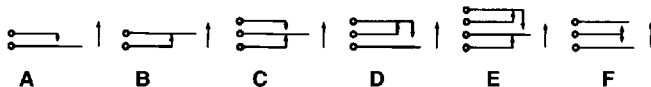
Below are listed the basic contacts available on switches in this catalog:

1. Fine silver contacts rated at 2A, 200W (maximum) AC non-inductive load.
2. Welded cross bar silver contacts rated at 3A, 300W (maximum) AC non-inductive load.
3. Welded cross bar palladium contacts rated at 2A, 200W (maximum) AC non-inductive load.
4. Welded cross bar gold alloy contacts rated at up to 1A, 100W (maximum) AC non-inductive load. (Dry circuit applications.)

BASIC CONTACT FORMS

Below are the basic contact forms available standard on all Switchcraft Lever Switches. Specify circuits needed by referring to the letter identification and respective location on frame. See dimensional drawings for stack switch location.

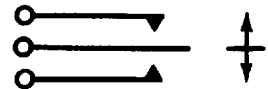
BASIC CONTACT FORMS



To avoid ordering special switches it is possible to use a larger standard circuit, providing the circuit fulfills your requirements.

Circuit Form K is widely used in talk-listen (intercom) function applications. In normal position (neutral), switch does not contact upper or lower contact spring. During typical operation, lever is held in upper (momentary) position while speaking. Releasing lever allows switch to return to neutral. For listening, lever is moved to down (locking) position. Lever is manually returned to neutral when finished.

SCHEMATIC DIAGRAM FORM K



ORDERING STANDARD SWITCHES

Order lever switches by part number from pages 295 through 304.

LAMP DATA

Lever-Lite® switches use T-1 3/4 flange base lamps which are available from commercial sources.

ORDERING SPECIAL SWITCHES Lever Switches

Should you desire a special version of any Switchcraft® lever switch not shown here, we require the following information:

1. Switch series.
2. Number of positions.
3. Mechanical action (locking, non-locking, etc.).
4. Contact configuration for each position.
5. Type of contact material.
6. Color sequence (Lever-Lite III).

UL RECOGNIZED LEVER SWITCHES

Seven series of Switchcraft lever switches are UL recognized. These switches are available on special order to fulfill your switching requirements which specifically require UL listed switching devices.

1. Series 3000
2. Series 6000
3. Series 12000
4. Series 13000
5. Series 16000
6. Series 28000
7. Series 41000

NOTE: Refer to switch series in this catalog for full mechanical specifications and additional standard and special features.

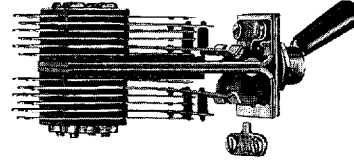
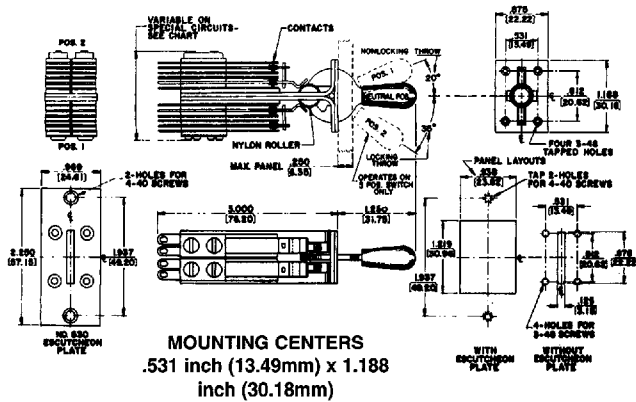
DIMENSIONS ARE FOR REFERENCE ONLY $\frac{\text{Inch}}{(\text{mm})}$

NOTE: Contact your Switchcraft Representative for price and delivery.

LEVER SWITCHES (continued)

TELEVER® SWITCH SERIES 6000, 16000 (continued)

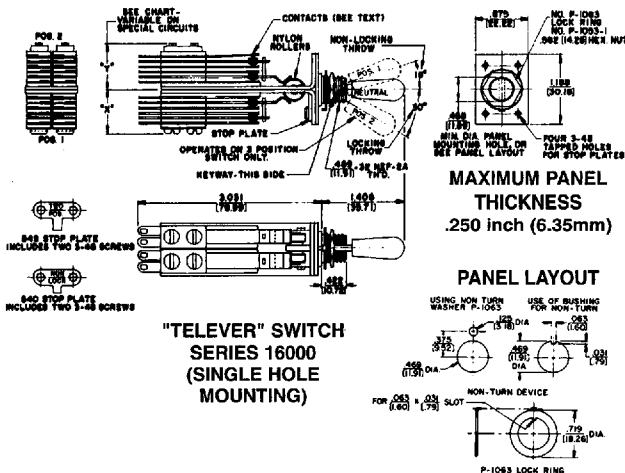
TELEVER® SWITCH SERIES 6000



Changeable Function - Removable "STOP PLATE" on Series 16000 converts locking to non-locking (540); or from 3-position to 2-position function (545). "STOP PLATE", 540 and 545 include two, P10292 mounting screws.

Escutcheon Plate - Steel, black finished escutcheon plate for convenience of mounting.
Escutcheon Plate, (includes four #3-48 mounting screws).

TELEVER® SWITCH SERIES 16000 (SINGLE HOLE MOUNTING)



DIMENSIONS ARE FOR REFERENCE ONLY $\frac{\text{Inch}}{(\text{mm})}$

NOTE: Contact your Switchcraft Representative for price and delivery.

All products shown in this catalog are covered by Switchcraft's limited lifetime warranty

® Registered trademark of Switchcraft, Inc.

21F 7597503 0005179 8T9