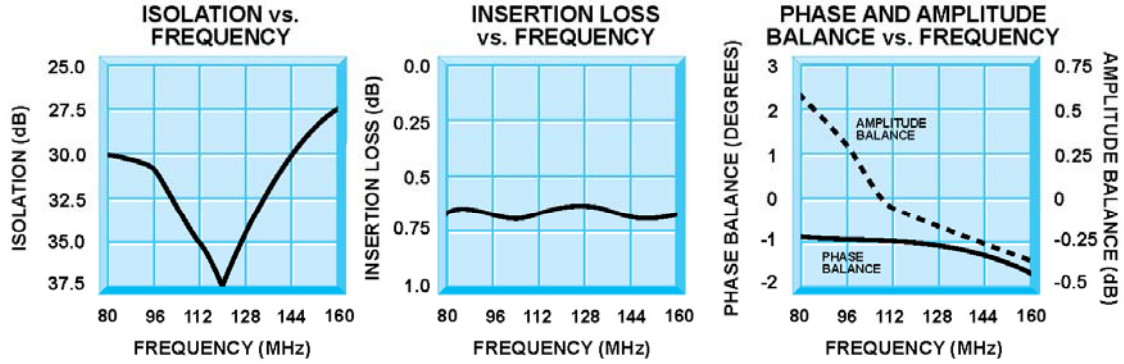




J4-30002 / 30003 / 30004

80 to 160 MHz Quadrature Hybrids

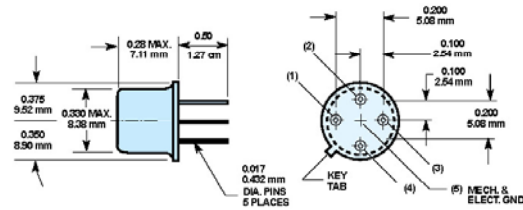


Guaranteed Specifications (-54° to +85°C)

Frequency Range	80 to 160 MHz
Isolation	25 dB Min.
Insertion Loss	0.75 dB Max.
VSWR	1.3:1 Max.
Phase Balance	±4° Max.
Amplitude Balance	± 0.75 dB Max.
Impedance	50 Ohms
Power Handling	3 Watts Max.

Mechanical Outline

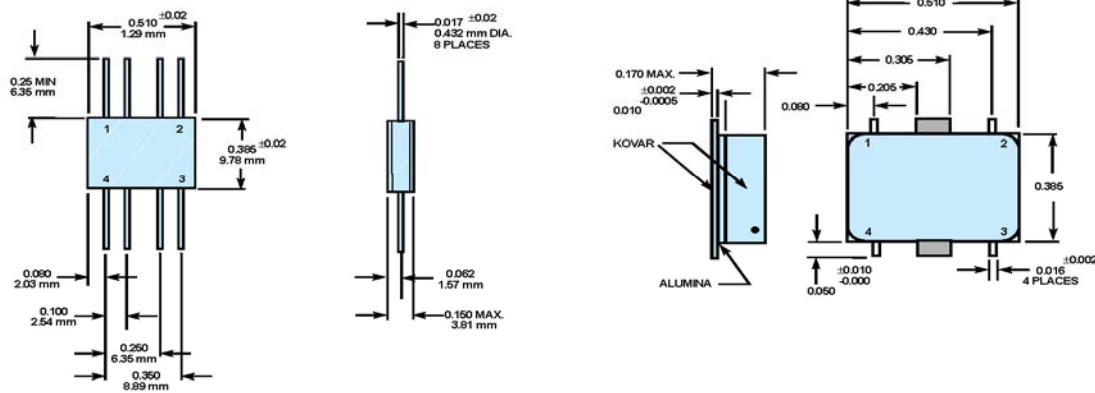
J4-30002



Truth Table

OUT \ IN	1	2	3	4
1	X	ISOL	0°	-90°
2	ISOL	X	-90°	0°
3	0°	-90°	X	ISOL
4	-90°	0°	ISOL	X

Additional Mechanical Outlines on next page



STC Microwave Systems – www.craneae.com
 28 Tozer Road • Beverly, MA 01915
 phone: 978-524-7200 • email: electronics@craneae.com

STC MICROWAVE SYSTEMS - OLEKTRON
 A CRANE CO. COMPANY

