

Description

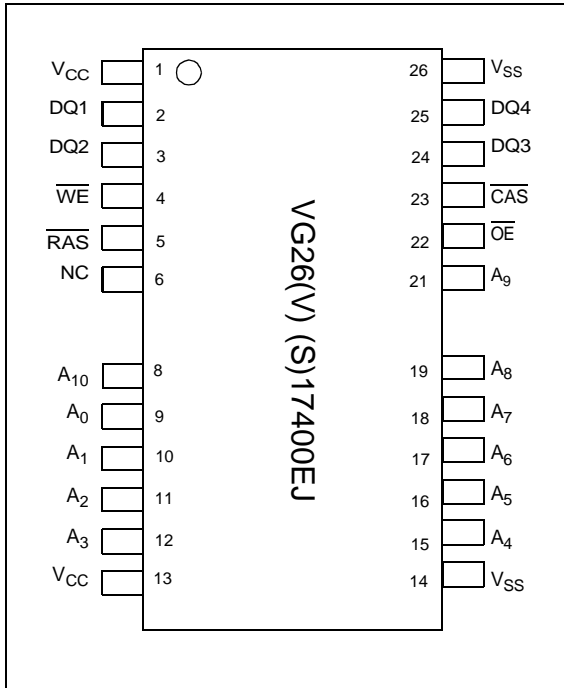
The device is CMOS Dynamic RAM organized as 4,194,304 words x 4 bits. It is fabricated with an advanced submicron CMOS technology and designed to operate from a single 5V only or 3.3V only power supply. Low voltage operation is more suitable to be used on battery backup, portable electronic application. A new refresh feature called "self-refresh" is supported and very slow CBR cycles are being performed. It is packaged in JEDEC standard 26/24 - pin plastic SOJ or TSOP (II).

Features

- Single 5V ($\pm 10\%$) or 3.3V (+10%,-5%) only power supply
- High speed t_{RAC} access time : 50/60 ns
- Low power dissipation
 - Active mode : 5V version 605/550 mW (Max.)
3.3V version 396/360 mW (Max.)
 - Standby mode : 5V version 1.375 mW (Max.)
3.3V version 0.54 mW (Max.)
- Fast Page Mode access
- I/O level : TTL compatible ($V_{cc} = 5V$)
LVTTTL compatible ($V_{cc} = 3.3V$)
- 2048 refresh cycles in 32 ms (Std) or 128ms (S - version)
- 4 refresh mode :
 - \overline{RAS} only refresh
 - \overline{CAS} -before- \overline{RAS} refresh
 - Hidden refresh
 - Self - refresh (S - version)

Pin configuration

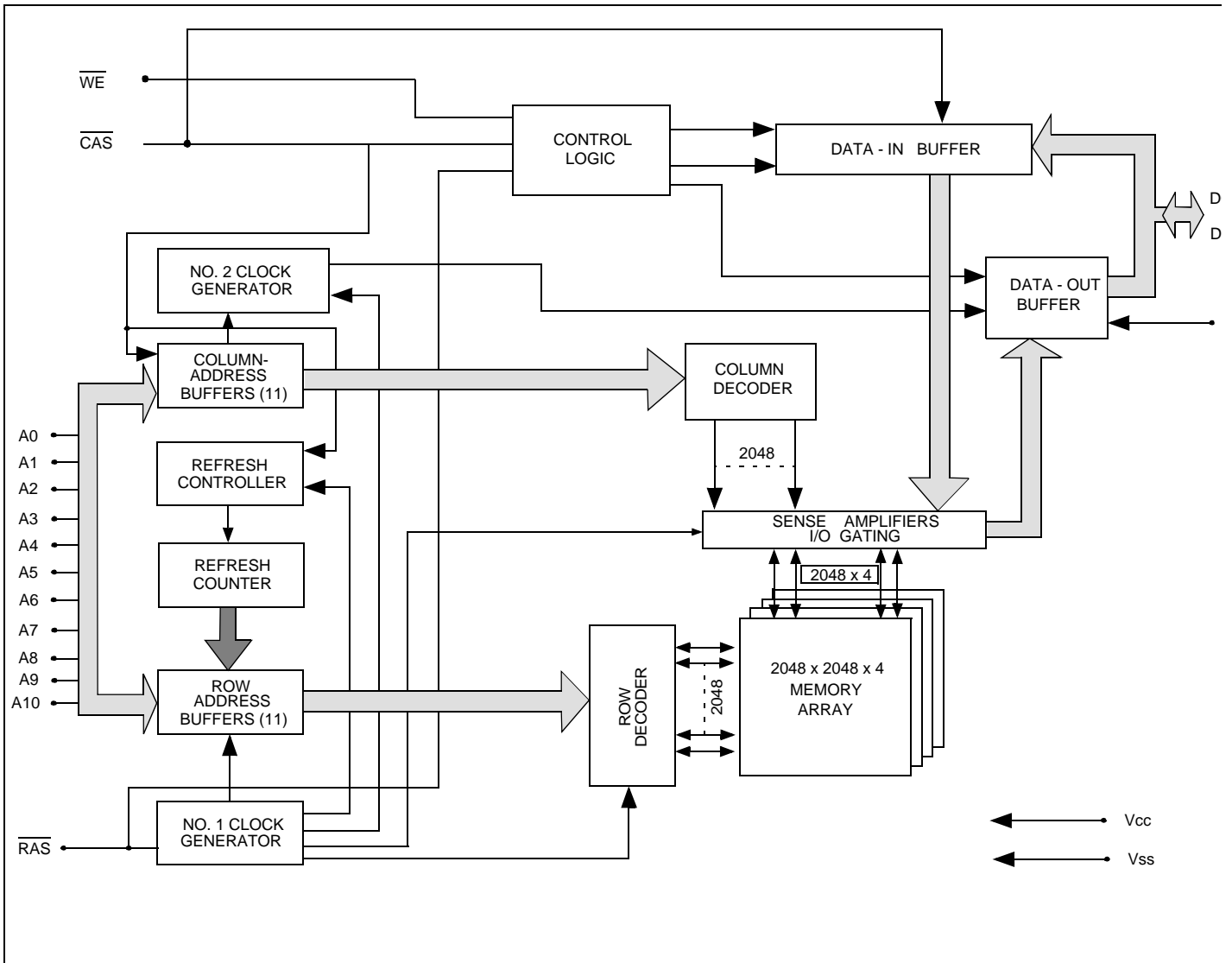
26/24 - PIN 300mil Plastic SOJ



Pin Description

| Pin Name | Function |
|-------------------------|---|
| A0 - A10 | Address inputs - Row address A0 - A10 - Column address A0 - A10 - Refresh address A0 - A10 |
| DQ1 ~ DQ4 | Data - in/data - out |
| $\overline{\text{RAS}}$ | Row address strobe |
| $\overline{\text{CAS}}$ | Column address strobe |
| $\overline{\text{WE}}$ | Write enable |
| $\overline{\text{OE}}$ | Output enable |
| V _{CC} | Power (+ 5V or + 3.3V) |
| V _{SS} | Ground |

Block Diagram



Truth Table

| FUNCTION | | $\overline{\text{RAS}}$ | $\overline{\text{CAS}}$ | $\overline{\text{WE}}$ | $\overline{\text{OE}}$ | ADDRESSES | | DQ _S | Notes |
|--------------------------|-----------|-------------------------|-------------------------|------------------------|------------------------|-----------|-----|-----------------------|-------|
| | | | | | | ROW | COL | | |
| STANDBY | | H | H → X | X | X | X | X | High - Z | |
| READ | | L | L | H | L | ROW | COL | Data - Out | |
| WRITE : (EARLY WRITE) | | L | L | L | X | ROW | COL | Data - In | |
| READ WRITE | | L | L | H → L | L → H | ROW | COL | Data - Out, Data - In | |
| PAGE - MODE READ | 1st Cycle | L | H → L | H | L | ROW | COL | Data - Out | |
| | 2st Cycle | L | H → L | H | L | n/a | COL | Data - Out | |
| PAGE - MODE WRITE | 1st Cycle | L | H → L | L | X | ROW | COL | Data - In | |
| | 2st Cycle | L | H → L | L | X | n/a | COL | Data - In | |
| PAGE - MODE READ - WRITE | 1st Cycle | L | H → L | H → L | L → H | ROW | COL | Data - Out, Data - In | |
| | 2st Cycle | L | H → L | H → L | L → H | n/a | COL | Data - Out, Data - In | |
| HIDDEN REFRESH | READ | L → H → L | L | H | L | ROW | COL | Data - Out | |
| | WRITE | L → H → L | L | L | X | ROW | COL | Data - In | 1 |
| RAS - ONLY REFRESH | | L | H | X | X | ROW | n/a | High - Z | |
| CBR REFRESH | | H → L | L | H | X | X | X | High - Z | |

Notes : 1. EARLY WRITE only.

Absolute Maximum Rating

| Parameter | Symbol | Value | Unit |
|--|------------------|--------------------------------|------|
| Voltage on any pin relative to V _{ss} 5V 3.3V | V _T | -1.0 to + 7.0 -0.5 to + 4.6 | V |
| Supply voltage relative to V _{ss} 5V 3.3V | V _{cc} | -1.0 to + 7.0 -0.5 to + 4.6 | V |
| Short circuit output current | I _{OUT} | 50 | mA |
| Power dissipation | P _D | 1.0 | W |
| Operating temperature | T _{OPT} | 0 to + 70 | °C |
| Storage temperature | T _{STG} | -55 to + 125 | °C |

Recommended DC Operating Conditions

| Parameter/Condition | Symbol | 5 Volt Version | | | 3.3 Volt Version | | | Unit |
|--------------------------------|-----------------|----------------|-----|-----------------------|------------------|-----|-----------------------|------|
| | | Min | Typ | Max | Min | Typ | Max | |
| Supply Voltage | V _{cc} | 4.5 | 5.0 | 5.5 | 3.15 | 3.3 | 3.6 | V |
| Input High Voltage, all inputs | V _{IH} | 2.4 | - | V _{CC} + 1.0 | 2.0 | - | V _{CC} + 0.3 | V |
| Input Low Voltage, all inputs | V _{IL} | -1.0 | - | 0.8 | -0.3 | - | 0.8 | V |

Capacitance

T_a = 25°C, V_{CC} = 5V±10% or 3.3V(+10%,-5%), f = 1MHz

| Parameter | Symbol | Typ | Max | Unit | Note |
|---|------------------|-----|-----|------|------|
| Input capacitance (Address) | C _{I1} | - | 5 | pF | 1 |
| Input capacitance (RAS, CAS, OE, WE) | C _{I2} | - | 7 | pF | 1 |
| Output capacitance (Data - in, Data - out) | C _{I/O} | - | 7 | pF | 1,2 |

Note : 1. Capacitance measured with effective capacitance measuring method.

2. CAS = V_{IH} to disable Dout.

DC Characteristics; 5 - Volt verion

($T_a = 0$ to 70°C , $V_{CC} = +5\text{V} \pm 10\%$, $V_{SS} = 0\text{V}$)

| Parameter | | Symbol | Test Conditions | VG26 (V) (S) 17400E | | | | Unit | Notes |
|---|------------------------|-----------|--|---------------------|------|-----|------|---------------|-------|
| | | | | -5 | | -6 | | | |
| | | | | Min | Max | Min | Max | | |
| Operating current | | I_{CC1} | $\overline{\text{RAS}}$ cycling $\overline{\text{CAS}}$ cycling $t_{RC} = \text{min.}$ | - | 145 | - | 135 | mA | 1, 2 |
| Standby Current | Low power S - version | I_{CC2} | TTL interface $\overline{\text{RAS}}, \overline{\text{CAS}} = V_{IH}$ Dout = high - Z | - | 2 | - | 2 | mA | |
| | | | CMOS interface $\overline{\text{RAS}}, \overline{\text{CAS}} \geq V_{CC} - 0.2\text{V}$ Dout = high - Z | - | 0.25 | - | 0.25 | mA | |
| | Standard power version | | TTL interface $\overline{\text{RAS}}, \overline{\text{CAS}} = V_{IH}$ Dout = high - Z | - | 2 | - | 2 | mA | |
| | | | CMOS interface $\overline{\text{RAS}}, \overline{\text{CAS}} \geq V_{CC} - 0.2\text{V}$ Dout = high - Z | - | 1 | - | 1 | mA | |
| RAS - only refresh current | | I_{CC3} | $\overline{\text{RAS}}$ cycling, $\overline{\text{CAS}} = V_{IH}$ $t_{RC} = \text{min.}$ | - | 145 | - | 135 | mA | 1, 2 |
| Fast page mode current | | I_{CC4} | $t_{PC} = \text{min.}$ | - | 100 | - | 90 | mA | 1,3 |
| CAS - before - RAS refresh current | | I_{CC5} | $t_{RC} = \text{min.}$ $\overline{\text{RAS}}, \overline{\text{CAS}}$ cycling | - | 145 | - | 135 | mA | 1, 2 |
| Self - refresh currant (S - Version) | | I_{CC8} | $t_{RASS} \geq 100\mu\text{S}$ | - | 350 | - | 350 | μA | |
| CAS - before - RAS long refresh current (S - Version) | | I_{CC9} | Standby : $V_{CC} - 0.2\text{V} \leq \overline{\text{RAS}}$ CAS before RAS refresh : 2048 cycles/128ms $\overline{\text{RAS}}, \overline{\text{RAS}} : 0\text{V} \leq V_{IL} \leq 0.2\text{V}$ $V_{CC} - 0.2\text{V} \leq V_{IH} \leq V_{IH} (\text{Max})$ Dout = high - Z, $t_{RAS} \leq 300\text{ns}$ | - | 500 | - | 500 | μA | |

DC Characteristics ; 5 - Volt Version (cont.)

($T_a = 0$ to 70°C , $V_{CC} = +5\text{V} \pm 10\%$, $V_{SS} = 0\text{V}$)

| Parameter | Symbol | Test Conditions | VG26 (V) (S) 17400E | | | | Unit | Notes |
|------------------------|----------|--|---------------------|-----|-----|-----|---------------|-------|
| | | | -5 | | -6 | | | |
| | | | Min | Max | Min | Max | | |
| Input leakage current | I_{LI} | $0\text{V} \leq V_{in} \leq V_{CC} + 0.5\text{V}$ | -5 | 5 | -5 | 5 | μA | |
| Output leakage current | I_{LO} | $0\text{V} \leq V_{out} \leq V_{CC} + 0.5\text{V}$ Dout = Disable | -5 | 5 | -5 | 5 | μA | |
| Output high voltage | V_{OH} | $I_{OH} = -5\text{mA}$ | 2.4 | - | 2.4 | - | V | |
| Output low voltage | V_{OL} | $I_{OL} = +4.2\text{mA}$ | - | 0.4 | - | 0.4 | V | |

Notes :

1. I_{CC} is specified as an average current. It depends on output loading condition and cycle rate when the device is selected. I_{CC} max is specified at the output open condition.
2. Address can be changed once or less while $\overline{\text{RAS}} = V_{IL}$.
3. For I_{CC4} , address can be changed once or less within one Fast page mode cycle time.

DC Characteristics ; 3.3 - Volt Verion

($T_a = 0$ to 70°C , $V_{CC} = + 3.3\text{V}(+10\%, -5\%)$, $V_{SS} = 0\text{V}$)

| Parameter | | Symbol | Test Conditions | VG26 (V) (S) 17400E | | | | Unit | Notes |
|---|------------------------|-----------|---|---------------------|------|-----|------|---------------|-------|
| | | | | -5 | | -6 | | | |
| | | | | Min | Max | Min | Max | | |
| Operating current | | I_{CC1} | $\overline{\text{RAS}}$ cycling CAS cycling $t_{RC} = \text{min.}$ | - | 145 | - | 135 | mA | 1, 2 |
| Standby Current | Low power S - version | I_{CC2} | LVTTL interface RAS, CAS = V_{IH} Dout = high - Z | - | 0.5 | - | 0.5 | mA | |
| | | | CMOS interface $\overline{\text{RAS}}, \overline{\text{CAS}} \geq V_{CC} - 0.2\text{V}$ Dout = high - Z | - | 0.15 | - | 0.15 | mA | |
| | Standard power version | | LVTTL interface RAS, CAS = V_{IH} Dout = high - Z | - | 2 | - | 2 | mA | |
| | | | CMOS interface $\overline{\text{RAS}}, \overline{\text{CAS}} \geq V_{CC} - 0.2\text{V}$ Dout = high - Z | - | 0.5 | - | 0.5 | mA | |
| RAS - only refresh current | | I_{CC3} | $\overline{\text{RAS}}$ cycling, $\overline{\text{CAS}} = V_{IH}$ $t_{RC} = \text{min.}$ | - | 145 | - | 135 | mA | 1, 2 |
| Fast page mode current | | I_{CC4} | $t_{PC} = \text{min.}$ | - | 100 | - | 90 | mA | 1,3 |
| CAS - before - RAS refresh current | | I_{CC5} | $t_{RC} = \text{min.}$ $\overline{\text{RAS}}, \overline{\text{CAS}}$ cycling | - | 145 | - | 135 | mA | 1, 2 |
| Self - refresh currant (S - Version) | | I_{CC8} | $t_{RASS} \geq 100\mu\text{S}$ | - | 250 | - | 250 | μA | |
| CAS - before - RAS long refresh current (S - Version) | | I_{CC9} | Standby : $V_{CC} - 0.2\text{V} \leq \overline{\text{RAS}}$ CAS before RAS refresh : 2048 cycles/128ms $\overline{\text{RAS}}, \overline{\text{RAS}} : 0\text{V} \leq V_{IL} \leq 0.2\text{V}$ $V_{CC} - 0.2\text{V} \leq V_{IH} \leq V_{IH} \text{ (Max)}$ Dout = high - Z, $t_{RAS} \leq 300\text{ns}$ | - | 300 | - | 300 | μA | |

DC Characteristics ; 3.3 - Volt Version (cont.)

($T_a = 0$ to 70°C , $V_{CC} = +3.3\text{V}(+10\%, -5\%)$, $V_{SS} = 0\text{V}$)

| Parameter | Symbol | Test Conditions | VG26 (V) (S) 17400E | | | | Unit | Notes |
|------------------------|----------|--|---------------------|-----|-----|-----|---------------|-------|
| | | | -5 | | -6 | | | |
| | | | Min | Max | Min | Max | | |
| Input leakage current | I_{LI} | $0\text{V} \leq V_{in} \leq V_{CC} + 0.3\text{V}$ | -5 | 5 | -5 | 5 | μA | |
| Output leakage current | I_{LO} | $0\text{V} \leq V_{out} \leq V_{CC} + 0.3\text{V}$ Dout = Disable | -5 | 5 | -5 | 5 | μA | |
| Output high voltage | V_{OH} | $I_{OH} = -2\text{mA}$ | 2.4 | - | 2.4 | - | V | |
| Output low voltage | V_{OL} | $I_{OL} = +2\text{mA}$ | - | 0.4 | - | 0.4 | V | |

Notes :

1. I_{CC} is specified as an average current. It depends on output loading condition and cycle rate when the device is selected. I_{CC} max is specified at the output open condition.
2. Address can be changed once or less while $\overline{\text{RAS}} = V_{IL}$.
3. For I_{CC4} , address can be changed once or less within one Fast page mode cycle time.

AC Characteristics

(Ta = 0 to + 70°C, V_{CC} = 5V ±10% or 3.3V ±10%, V_{SS} = 0V) * 1, * 2, * 3, * 4

Test conditions

- Output load : two TTL Loads and 50pF(V_{CC} = 5.0V ±10%)
 one TTL Load and 30pF(V_{CC} = 3.3V(+10%,-5%))
- Input timing reference levels :
 V_{IH} = 2.4V, V_{IL} = 0.8V (V_{CC} = 5.0V ±10%); V_{IH} = 2.0V, V_{IL} = 0.8V
 (V_{CC}=3.3V(+10%,-5%))
- Output timing reference levels :
 V_{OH} = 2.0V, V_{OL} = 0.8V (V_{CC} = 5V ±10%, 3.3V(+10%,-5%))

Read, Write, Read - Modify - Write and Refresh Cycles

(Common Parameters)

| Parameter | Symbol | VG26 (V) (S) 17400E | | | | Unit | Notes |
|-----------------------------------|------------------|---------------------|-------|-----|-------|------|-------|
| | | -5 | | -6 | | | |
| | | Min | Max | Min | Max | | |
| Random read or write cycle time | t _{RC} | 84 | - | 104 | - | ns | |
| RAS precharge time | t _{RP} | 30 | - | 40 | - | ns | |
| CAS precharge time in normal mode | t _{CPN} | 10 | - | 10 | - | ns | |
| RAS pulse width | t _{RAS} | 50 | 10000 | 60 | 10000 | ns | 5 |
| CAS pulse width | t _{CAS} | 8 | 10000 | 10 | 10000 | ns | 6 |
| Row address setup time | t _{ASR} | 0 | - | 0 | - | ns | |
| Row address hold time | t _{RAH} | 8 | - | 10 | - | ns | |
| Column address setup time | t _{ASC} | 0 | - | 0 | - | ns | 7 |
| Column address hold time | t _{CAH} | 8 | - | 10 | - | ns | |
| RAS to CAS delay time | t _{RCD} | 12 | 37 | 14 | 45 | ns | 8 |
| RAS to column address delay time | t _{RAD} | 10 | 25 | 12 | 30 | ns | 9 |
| Column address to RAS lead time | t _{RAL} | 25 | - | 30 | - | ns | |
| RAS hold time | t _{RSH} | 8 | - | 10 | - | ns | |
| CAS hold time | t _{CSH} | 38 | - | 60 | - | ns | |
| CAS to RAS precharge time | t _{CRP} | 5 | - | 5 | - | ns | 10 |
| OE to Din delay time | t _{OE} | 12 | - | 15 | - | ns | |
| Transition time (rise and fall) | t _T | 1 | 50 | 1 | 50 | ns | 11 |
| Refresh period | t _{REF} | - | 32 | - | 32 | ms | |
| Refresh period (S - Version) | t _{REF} | - | 128 | - | 128 | ms | |
| CAS to output in Low-Z | t _{CLZ} | 0 | - | 0 | - | ns | |
| CAS delay time from Din | t _{DZC} | 0 | - | 0 | - | ns | |
| OE delay time from Din | t _{DZO} | 0 | - | 0 | - | ns | |

Read Cycle

| Parameter | Symbol | VG26 (V) (S) 17400E | | | | Unit | Notes |
|---|------------------|---------------------|-----|-----|-----|------|-------|
| | | -5 | | -6 | | | |
| | | Min | Max | Min | Max | | |
| Access time from $\overline{\text{RAS}}$ | t_{RAC} | - | 50 | - | 60 | ns | 12 |
| Access time from $\overline{\text{CAS}}$ | t_{CAC} | - | 13 | - | 15 | ns | 13,14 |
| Access time from column address | t_{AA} | - | 25 | - | 30 | ns | 14,15 |
| Access time from $\overline{\text{OE}}$ | t_{OEA} | - | 12 | - | 15 | ns | |
| Read command setup time | t_{RCS} | 0 | - | 0 | - | ns | 7 |
| Read command hold time to $\overline{\text{CAS}}$ | t_{RCH} | 0 | - | 0 | - | ns | 10,16 |
| Read command hold time to $\overline{\text{RAS}}$ | t_{RRH} | 10 | - | 10 | - | ns | 16 |
| Output buffer turn-off time | t_{OFF} | 0 | 12 | 0 | 15 | ns | 17 |
| Output buffer turn-off time from $\overline{\text{OE}}$ | t_{OEZ} | 0 | 12 | 0 | 15 | ns | 17 |

Write Cycle

| Parameter | Symbol | VG26 (V) (S) 17400E | | | | Unit | Notes |
|--|------------------|---------------------|-----|-----|-----|------|-------|
| | | -5 | | -6 | | | |
| | | Min | Max | Min | Max | | |
| Write command setup time | t_{WCS} | 0 | - | 0 | - | ns | 7,18 |
| Write command hold time | t_{WCH} | 8 | - | 10 | - | ns | |
| Write command pulse width | t_{WP} | 8 | - | 10 | - | ns | |
| Write command to $\overline{\text{RAS}}$ lead time | t_{RWL} | 13 | - | 15 | - | ns | |
| Write command to $\overline{\text{CAS}}$ lead time | t_{CWL} | 8 | - | 10 | - | ns | |
| Data-in setup time | t_{DS} | 0 | - | 0 | - | ns | 19 |
| Data-in hold time | t_{DH} | 8 | - | 10 | - | ns | 19 |

Read - Modify - Write Cycle

| Parameter | Symbol | VG26 (V) (S) 17400E | | | | Unit | Notes |
|--|------------------|---------------------|-----|-----|-----|------|-------|
| | | -5 | | -6 | | | |
| | | Min | Max | Min | Max | | |
| Read - modify - write cycle time | t_{RWC} | 108 | - | 133 | - | ns | |
| $\overline{\text{RAS}}$ to $\overline{\text{WE}}$ delay time | t_{RWD} | 64 | - | 77 | - | ns | 18 |
| $\overline{\text{CAS}}$ to $\overline{\text{WE}}$ delay time | t_{CWD} | 26 | - | 32 | - | ns | 18 |
| Column address to $\overline{\text{WE}}$ delay time | t_{AWD} | 39 | - | 47 | - | ns | 18 |
| $\overline{\text{OE}}$ hold time from $\overline{\text{WE}}$ | t_{OEH} | 8 | - | 10 | - | ns | |

Refresh Cycle

| Parameter | Symbol | VG26 (V) (S) 17400E | | | | Unit | Notes |
|--|-------------------|---------------------|-----|-----|-----|---------------|-------|
| | | -5 | | -6 | | | |
| | | Min | Max | Min | Max | | |
| $\overline{\text{CAS}}$ setup time (CBR refresh) | t_{CSR} | 5 | - | 10 | - | ns | |
| $\overline{\text{CAS}}$ hold time (CBR refresh) | t_{CHR} | 8 | - | 10 | - | ns | 10 |
| $\overline{\text{RAS}}$ precharge to $\overline{\text{CAS}}$ hold time | t_{RPC} | 5 | - | 5 | - | ns | 7 |
| $\overline{\text{RAS}}$ pulse width (self refresh) | t_{RASS} | 100 | - | 100 | - | μs | |
| $\overline{\text{RAS}}$ precharge time (self refresh) | t_{RPS} | 90 | - | 110 | - | ns | |
| $\overline{\text{CAS}}$ hold time (CBR self refresh) | t_{CHS} | -50 | - | -50 | - | ns | |
| $\overline{\text{WE}}$ setup time | t_{WSR} | 0 | - | 0 | - | ns | |
| $\overline{\text{WE}}$ hold time | t_{WHR} | 10 | - | 10 | - | ns | |

Fast Page Mode Cycle

| Parameter | Symbol | VG26 (V) (S) 17400E | | | | Unit | Notes |
|--|-------------------|---------------------|--------|-----|--------|------|-------|
| | | -5 | | -6 | | | |
| | | Min | Max | Min | Max | | |
| Fast page mode cycle time | t_{PC} | 20 | - | 25 | - | ns | |
| Fast page mode $\overline{\text{CAS}}$ Precharge time | t_{CP} | 10 | - | 10 | - | ns | |
| Fast page mode $\overline{\text{RAS}}$ pulse width | t_{RASP} | 50 | 10^5 | 60 | 10^5 | ns | 20 |
| Access time from $\overline{\text{CAS}}$ precharge | t_{CPA} | - | 30 | - | 35 | ns | 10,14 |
| $\overline{\text{RAS}}$ hold time from $\overline{\text{CAS}}$ precharge | t_{CPRH} | 30 | - | 35 | - | ns | |

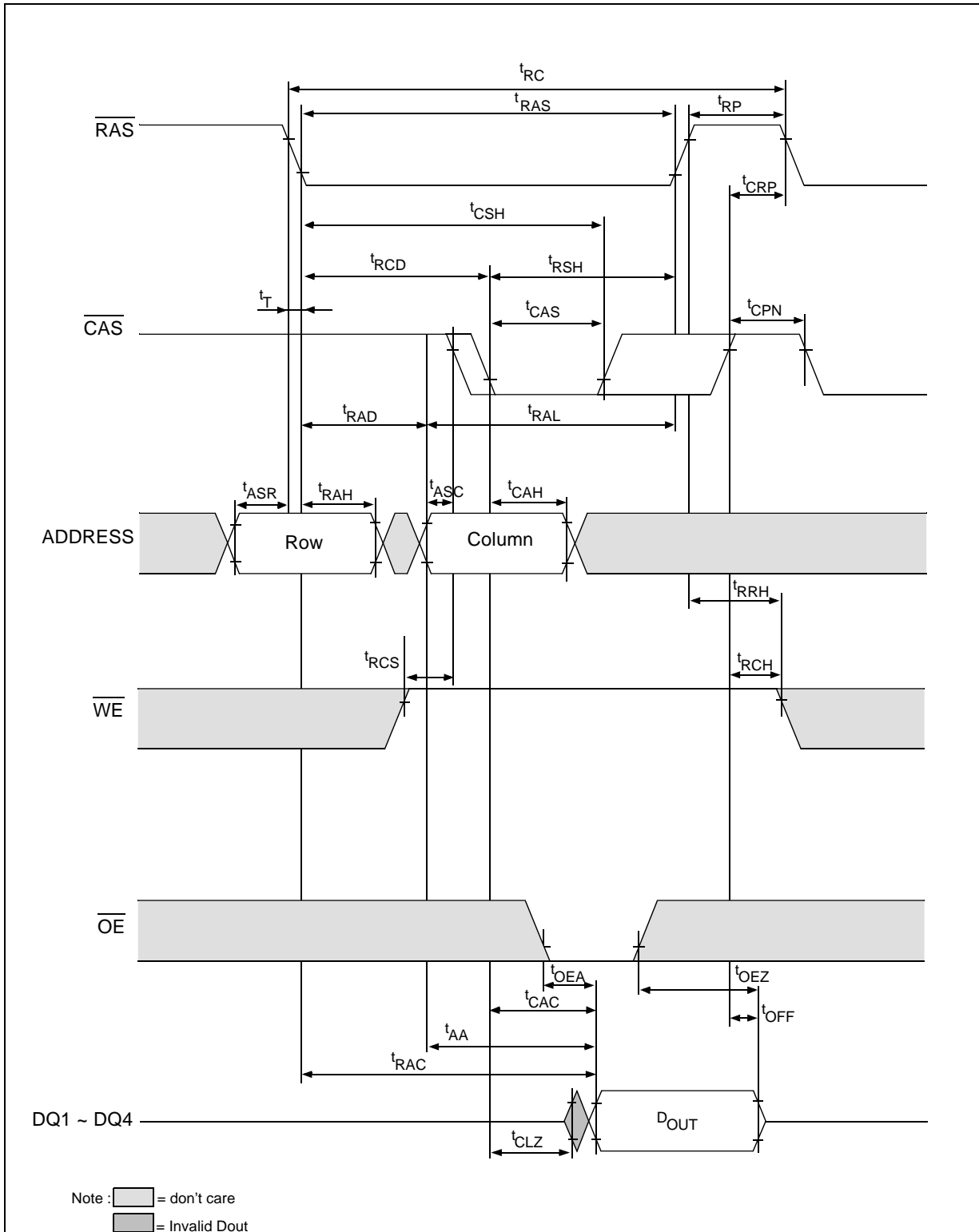
Fast Page Mode Read Modify Write Cycle

| Parameter | Symbol | VG26 (V) (S) 17400E | | | | Unit | Notes |
|---|-------------------|---------------------|-----|-----|-----|------|-------|
| | | -5 | | -6 | | | |
| | | Min | Max | Min | Max | | |
| Fast page mode read - modify - write cycle $\overline{\text{CAS}}$ precharge to $\overline{\text{WE}}$ delay time | t_{CPW} | 45 | - | 55 | - | ns | 11 |
| Fast page mode read - modify - write cycle time | t_{PRWC} | 56 | - | 68 | - | ns | |

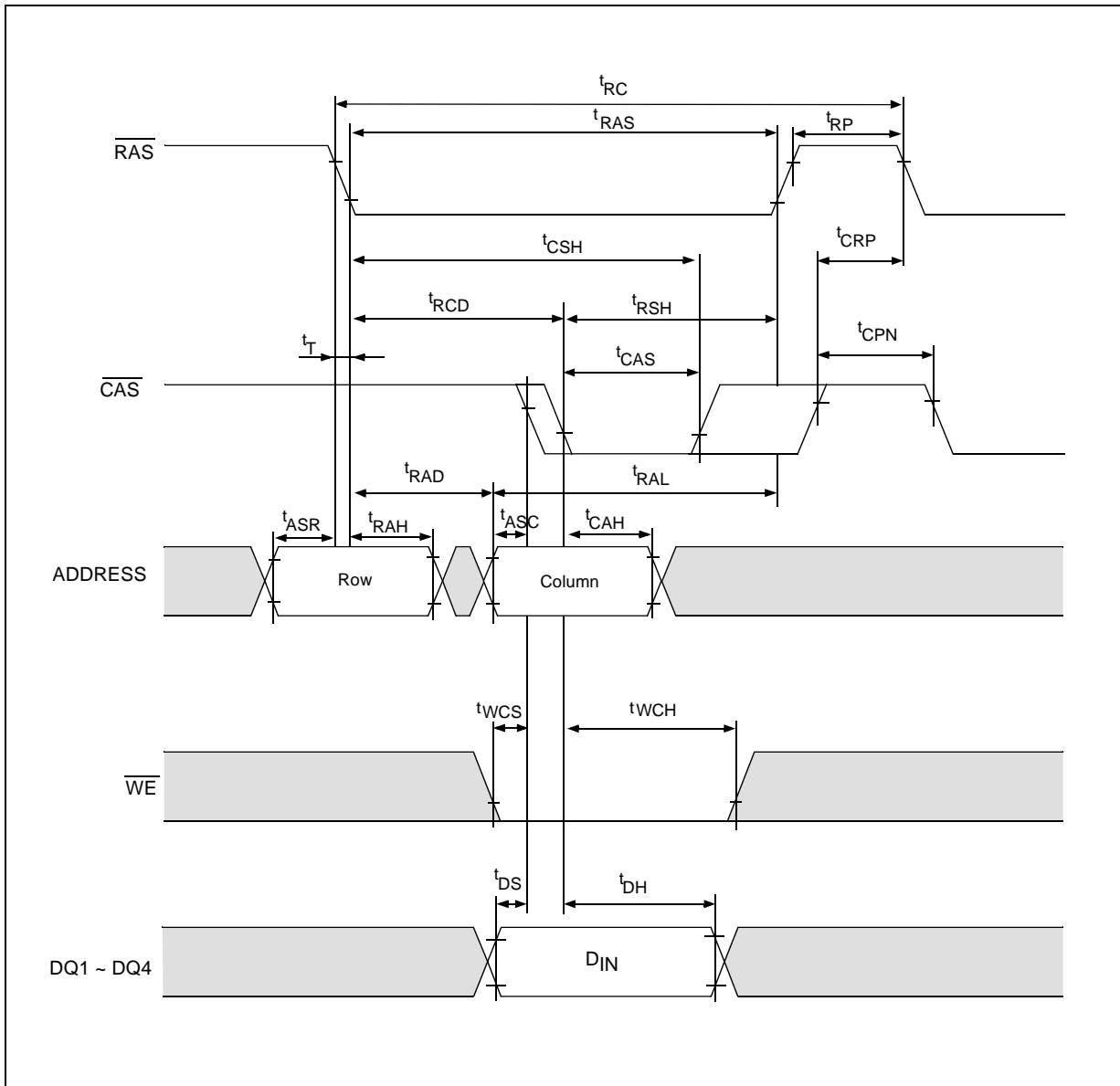
Notes :

1. AC measurements assume $t_T = 5\text{ns}$.
2. An initial pause of 100 μs is required after power up, and it followed by a minimum of eight initialization cycles ($\overline{\text{RAS}}$ -only refresh cycle or $\overline{\text{CAS}}$ -before- $\overline{\text{RAS}}$ refresh cycle). If the internal refresh counter is used, a minimum of eight $\overline{\text{CAS}}$ -before- $\overline{\text{RAS}}$ refresh cycles are required.
3. In delayed write or read-modify-write cycles, $\overline{\text{OE}}$ must disable output buffer prior to applying data to the device.
4. All the V_{CC} and V_{SS} pins shall be supplied with the same voltage.
5. $t_{\text{RAS}}(\text{min}) = t_{\text{RWD}}(\text{min}) + t_{\text{RWL}}(\text{min}) + t_T$ in read - modify-write cycle.
6. $t_{\text{CAS}}(\text{min}) = t_{\text{CWD}}(\text{min}) + t_{\text{CWL}}(\text{min}) + t_T$ in read - modify-write cycle.
7. $t_{\text{ASC}}(\text{min})$, $t_{\text{RCS}}(\text{min})$, $t_{\text{WCS}}(\text{min})$ and t_{RPC} are determined by the falling edge of $\overline{\text{CAS}}$.
8. $t_{\text{RCD}}(\text{max})$ is specified as a reference point only, and $t_{\text{RAC}}(\text{max})$ can be met with the $t_{\text{RCD}}(\text{max})$ limit. Otherwise, t_{RAC} is controlled exclusively by t_{CAC} if t_{RCD} is greater than the specified $t_{\text{RCD}}(\text{max})$ limit.
9. $t_{\text{RAD}}(\text{max})$ is specified as a reference point only, and $t_{\text{RAC}}(\text{max})$ can be met with the $t_{\text{RAD}}(\text{max})$ limit. Otherwise, t_{RAC} is controlled exclusively by t_{AA} if t_{RAD} is greater than the specified $t_{\text{RAD}}(\text{max})$ limit.
10. t_{CRP} , t_{CHR} , t_{RCH} , t_{CPA} and t_{CPW} are determined by the rising edge of $\overline{\text{CAS}}$.
11. $V_{\text{IH}}(\text{min})$ and $V_{\text{IL}}(\text{max})$ are reference levels for measuring timing or input signals. Therefore, transition time is measured between V_{IH} and V_{IL} .
12. Assumes that $t_{\text{RCD}} \leq t_{\text{RCD}}(\text{max})$ and $t_{\text{RAD}} \leq t_{\text{RAD}}(\text{max})$. If t_{RCD} or t_{RAD} is greater than the maximum recommended value shown in this table, t_{RAC} exceeds the value shown.
13. Assumes that $t_{\text{RCD}} \geq t_{\text{RCD}}(\text{max})$ and $t_{\text{RAD}} \leq t_{\text{RAD}}(\text{max})$.
14. Access time is determined by the maximum among t_{AA} , t_{CAC} , t_{CPA} .
15. Assumes that $t_{\text{RCD}} \leq t_{\text{RCD}}(\text{max})$ and $t_{\text{RAD}} \geq t_{\text{RAD}}(\text{max})$.
16. Either t_{RCH} or t_{RRH} must be satisfied for a read cycle.
17. $t_{\text{OFF}}(\text{max})$ and $t_{\text{OEZ}}(\text{max})$ define the time at which the output achieves the open circuit condition (high impedance).
18. t_{WCS} , t_{RWD} , t_{CWD} , and t_{AWD} are not restrictive operating parameters. They are included in the data sheet as electrical characteristics only. If $t_{\text{WCS}} \geq t_{\text{WCS}}(\text{min})$, the cycle is an early write cycle and the data output will remain open circuit (high impedance) throughout the entire cycle. If $t_{\text{RWD}} \geq t_{\text{RWD}}(\text{min})$, $t_{\text{CWD}} \geq t_{\text{CWD}}(\text{min})$, $t_{\text{AWD}} \geq t_{\text{AWD}}(\text{min})$, and $t_{\text{CPW}} \geq t_{\text{CPW}}(\text{min})$, the cycle is a read-modify-write and the data output will contain data read from the selected cell. If neither of the above sets of conditions is satisfied, the condition of the data output (at access time) is indeterminate.
19. These parameters are referenced to $\overline{\text{CAS}}$ in an early write cycle and to $\overline{\text{WE}}$ edge in a delayed write or a read-modify-write cycle.
20. t_{RASP} defines $\overline{\text{RAS}}$ pulse width in Fast page mode cycles.

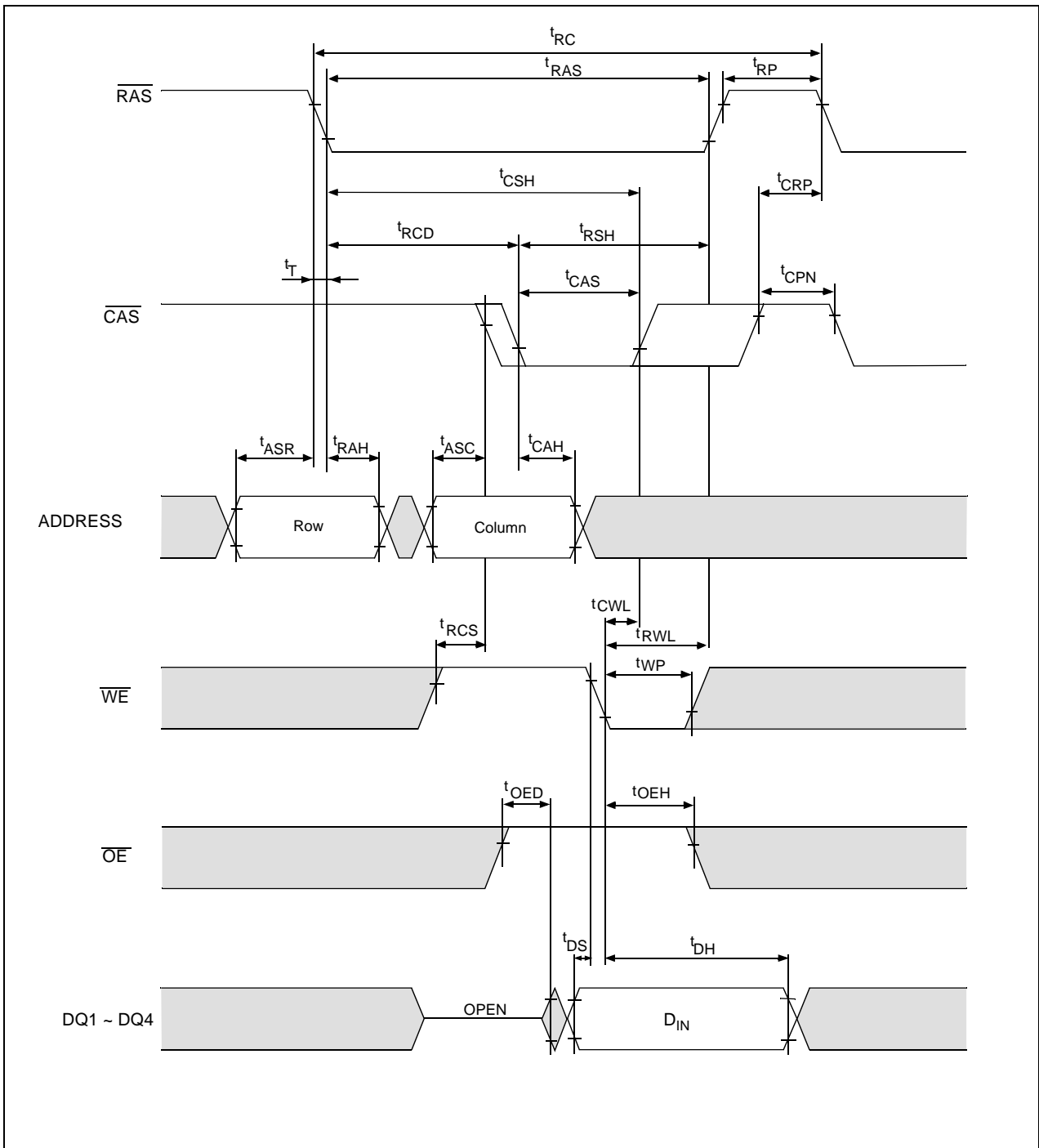
Timing Waveforms
 • Read Cycle



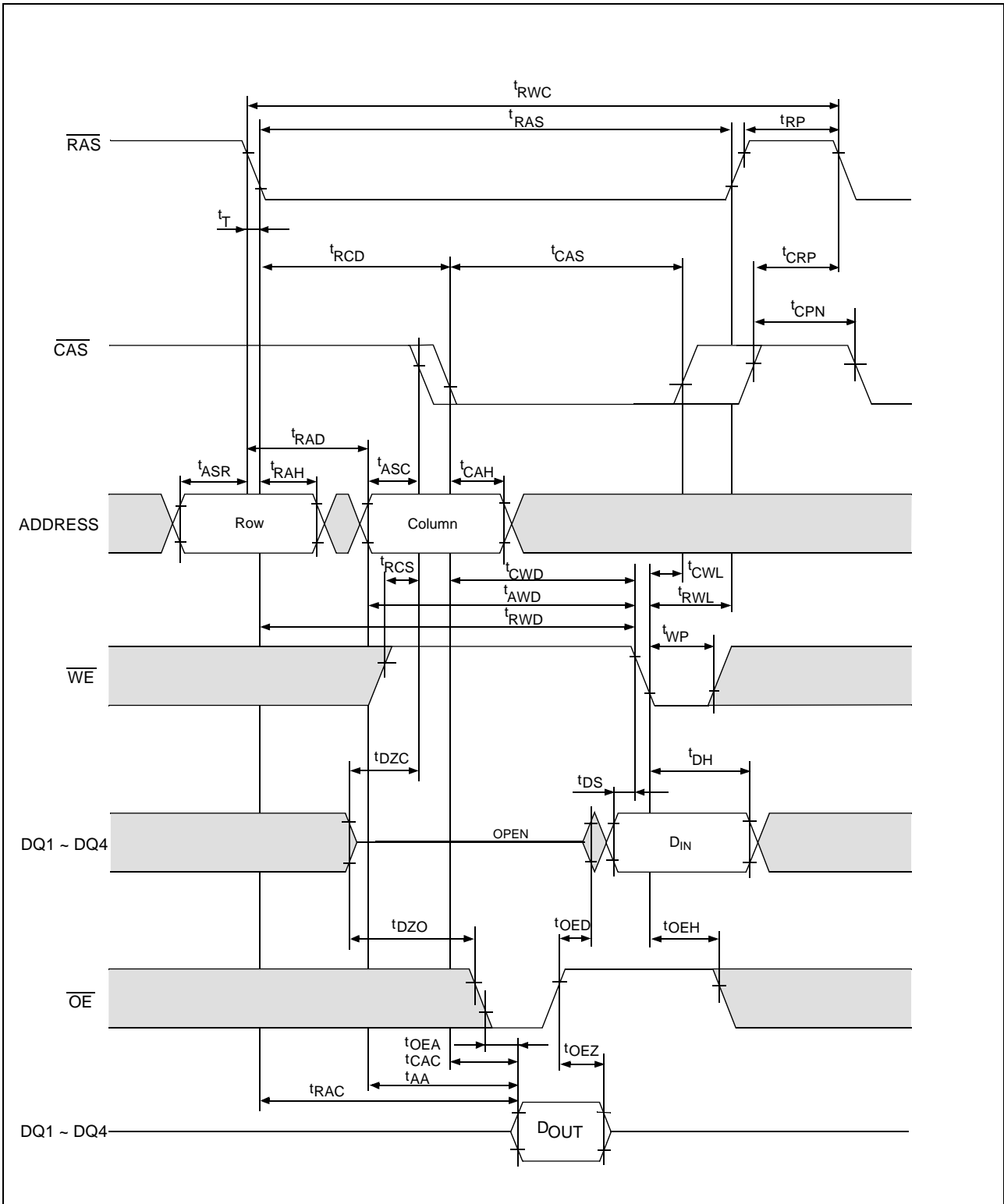
•Early Write Cycle



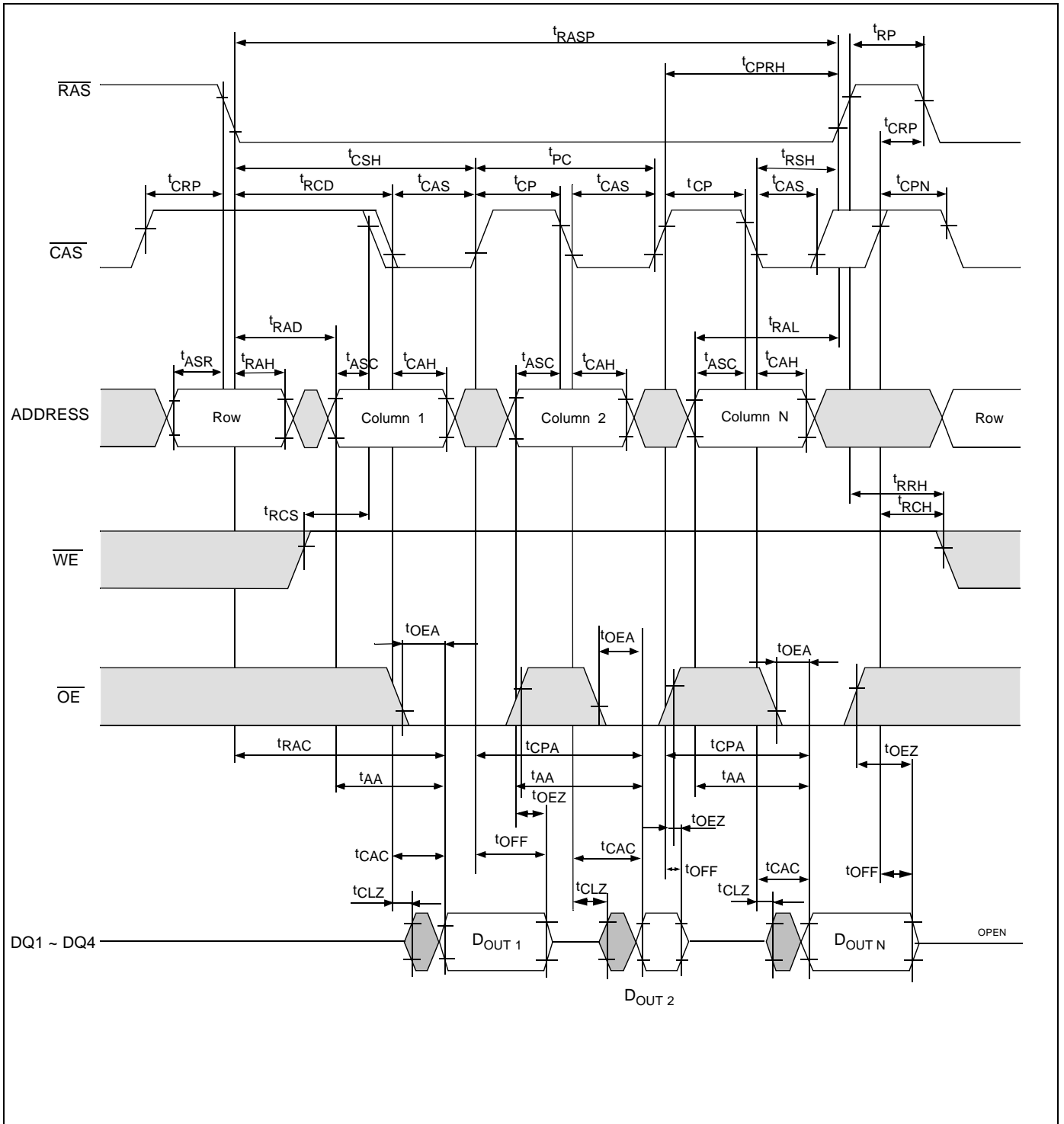
• Delayed Write Cycle



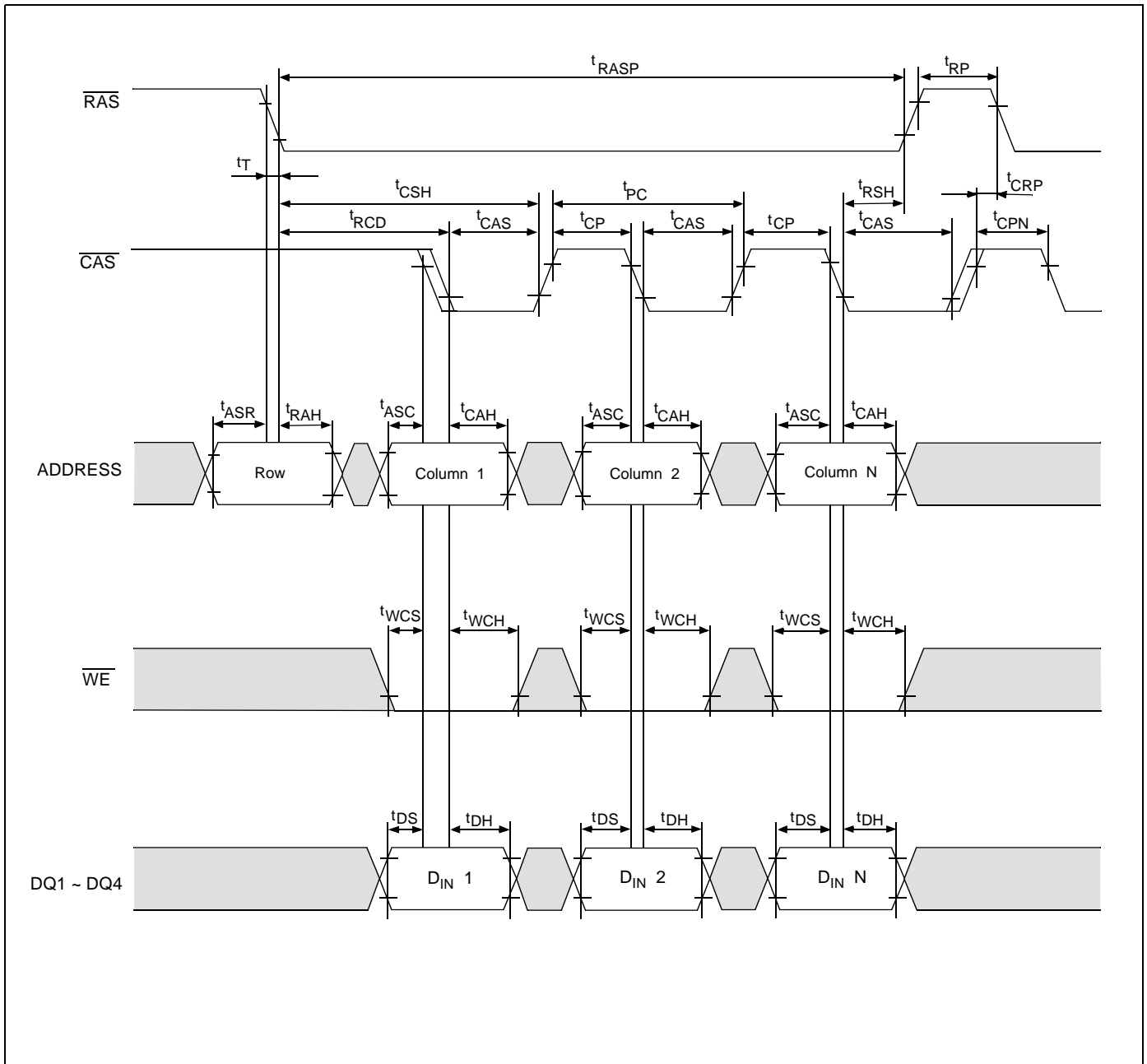
• Read - Modify - Write Cycle



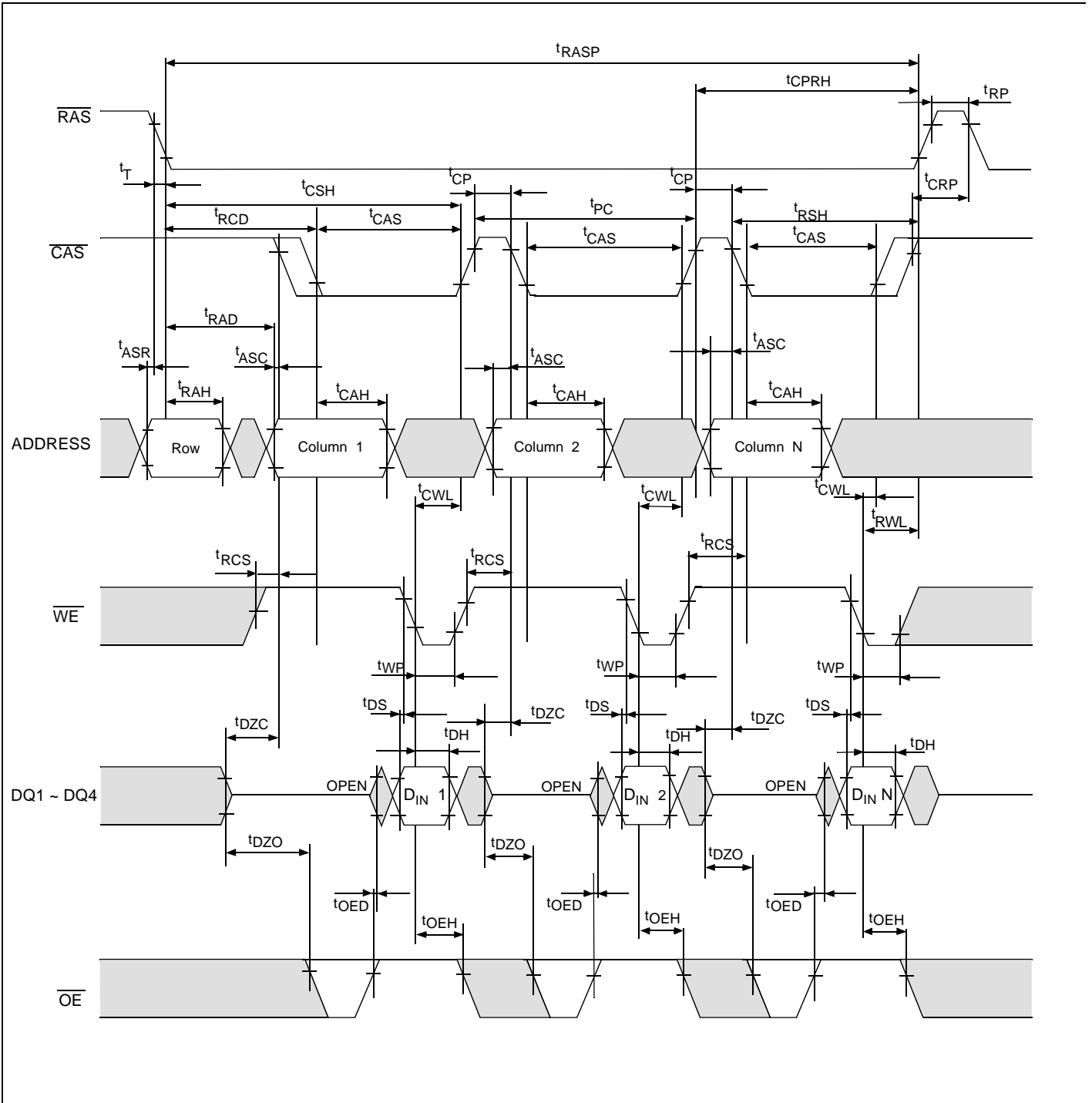
• Fast Page Mode Read Cycle



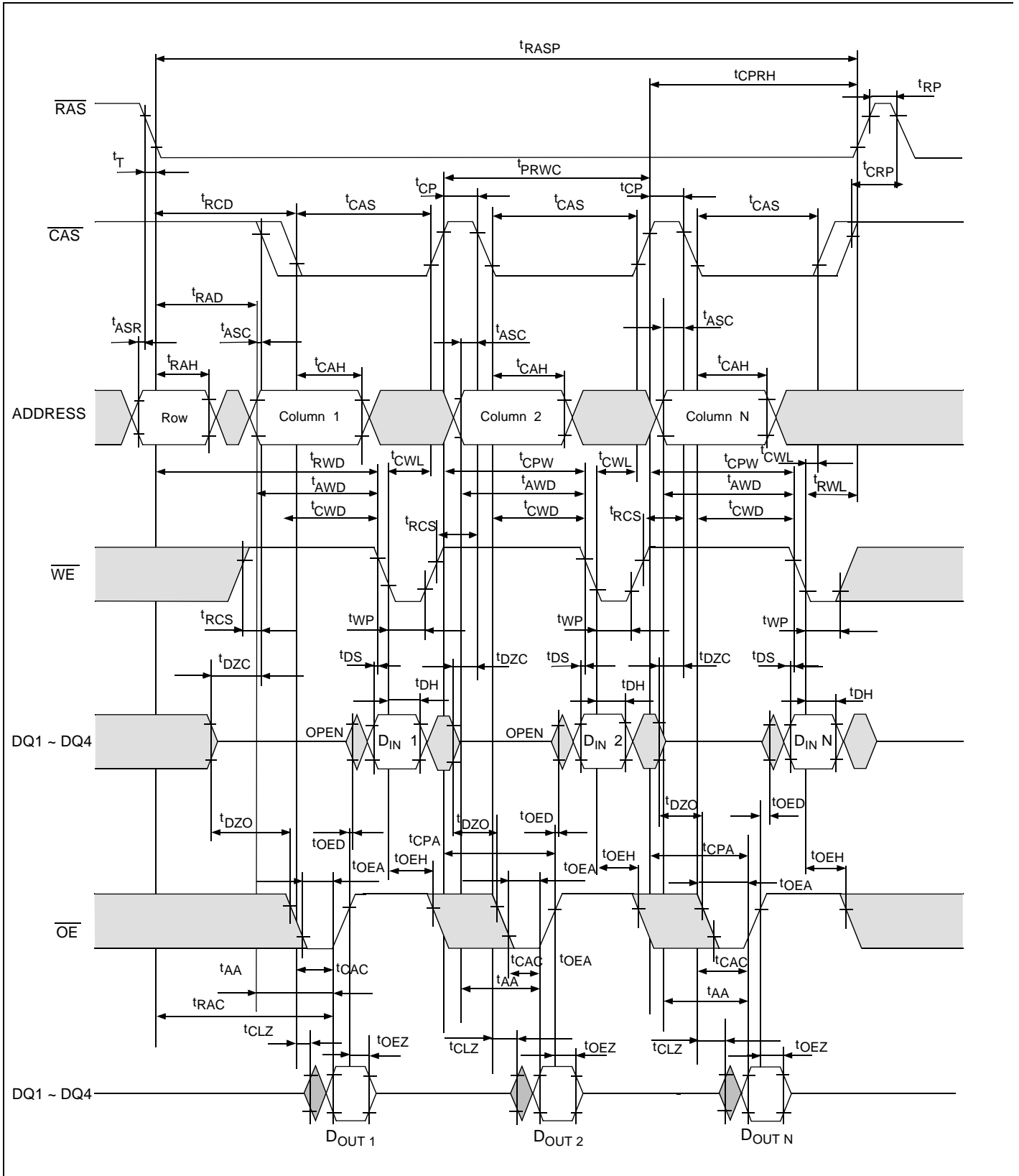
• Fast Page Mode Early Write Cycle



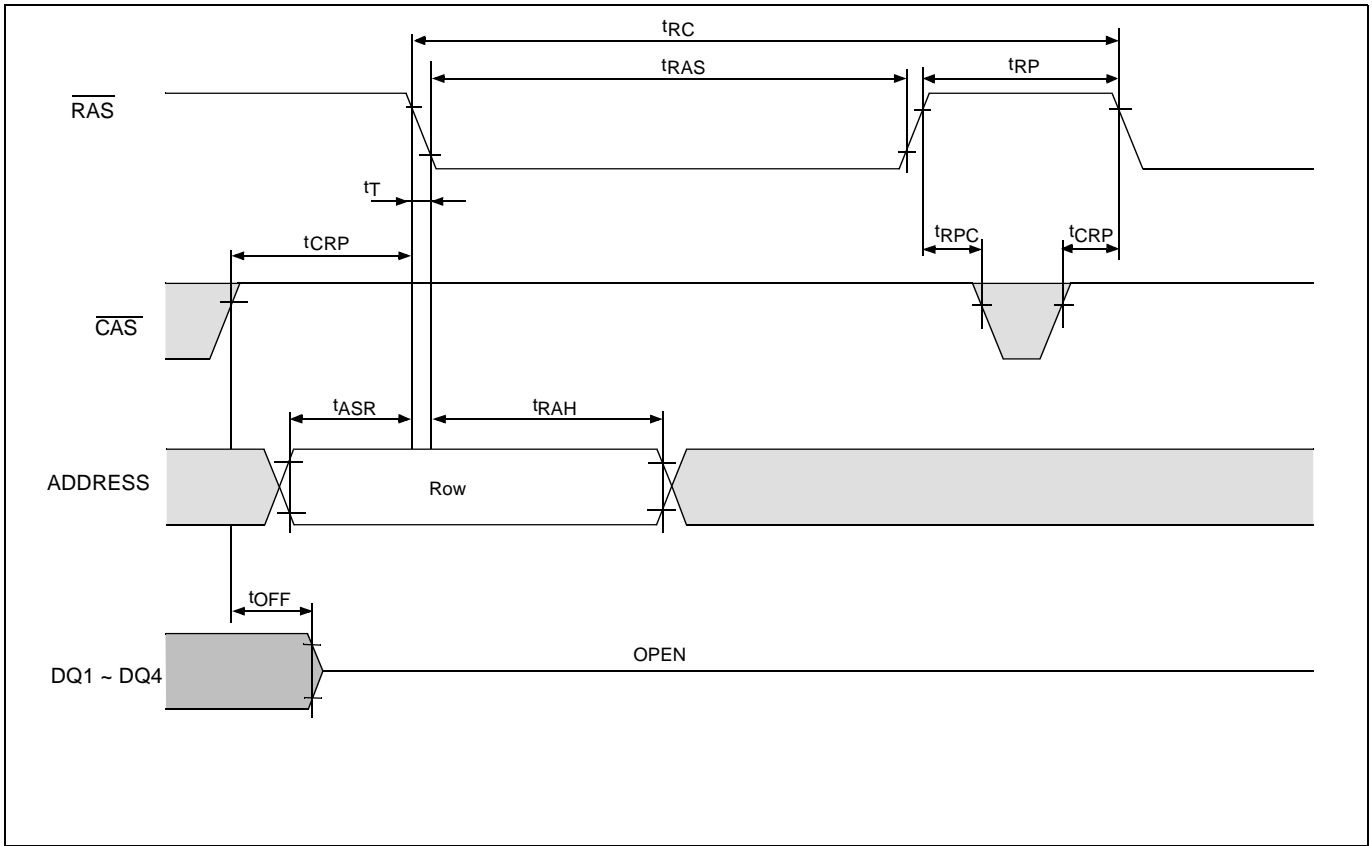
• Fast Page Mode Delayed Write Cycle



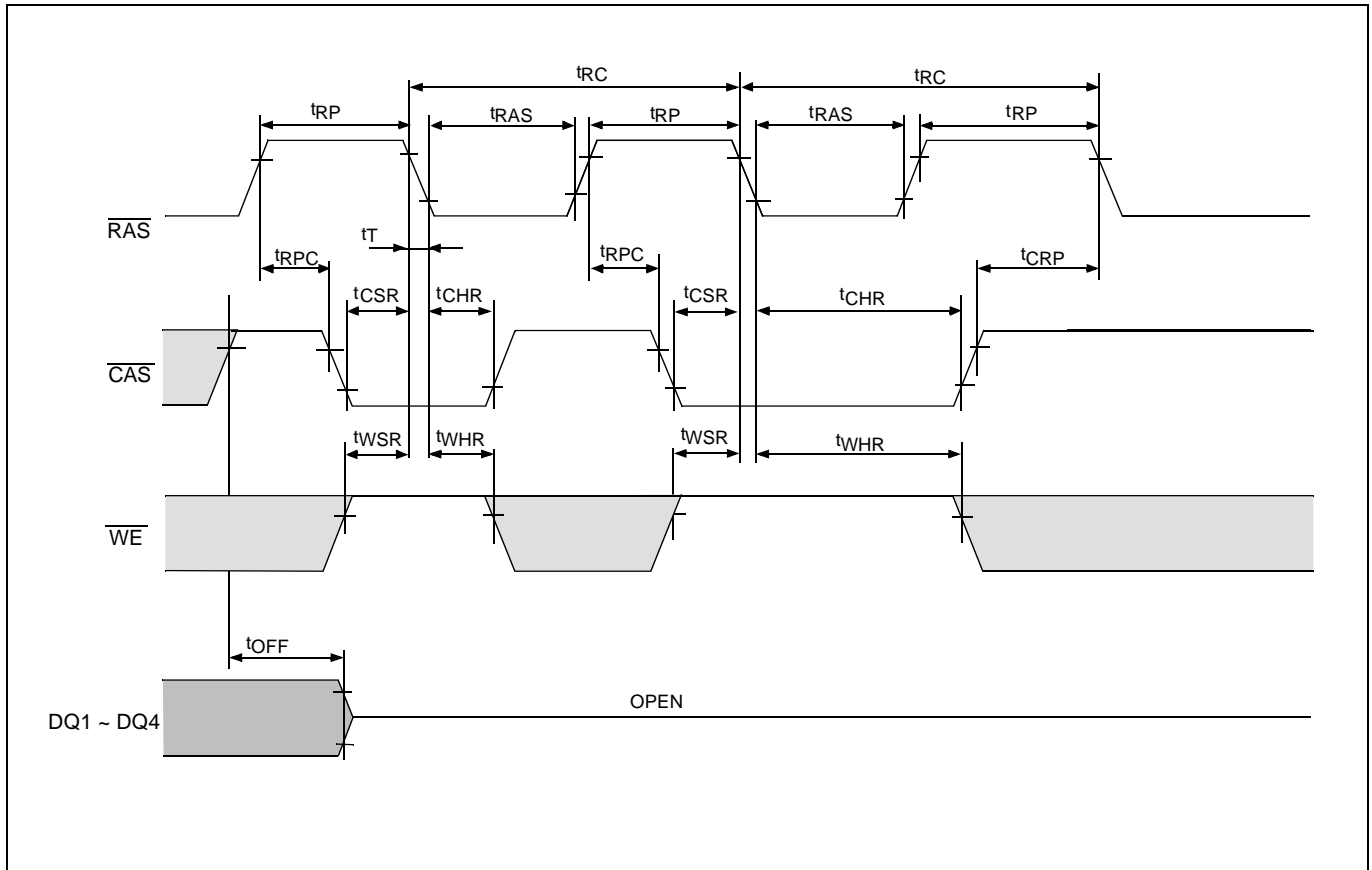
• **Fast Page Mode Read - Modify - Write Cycle**



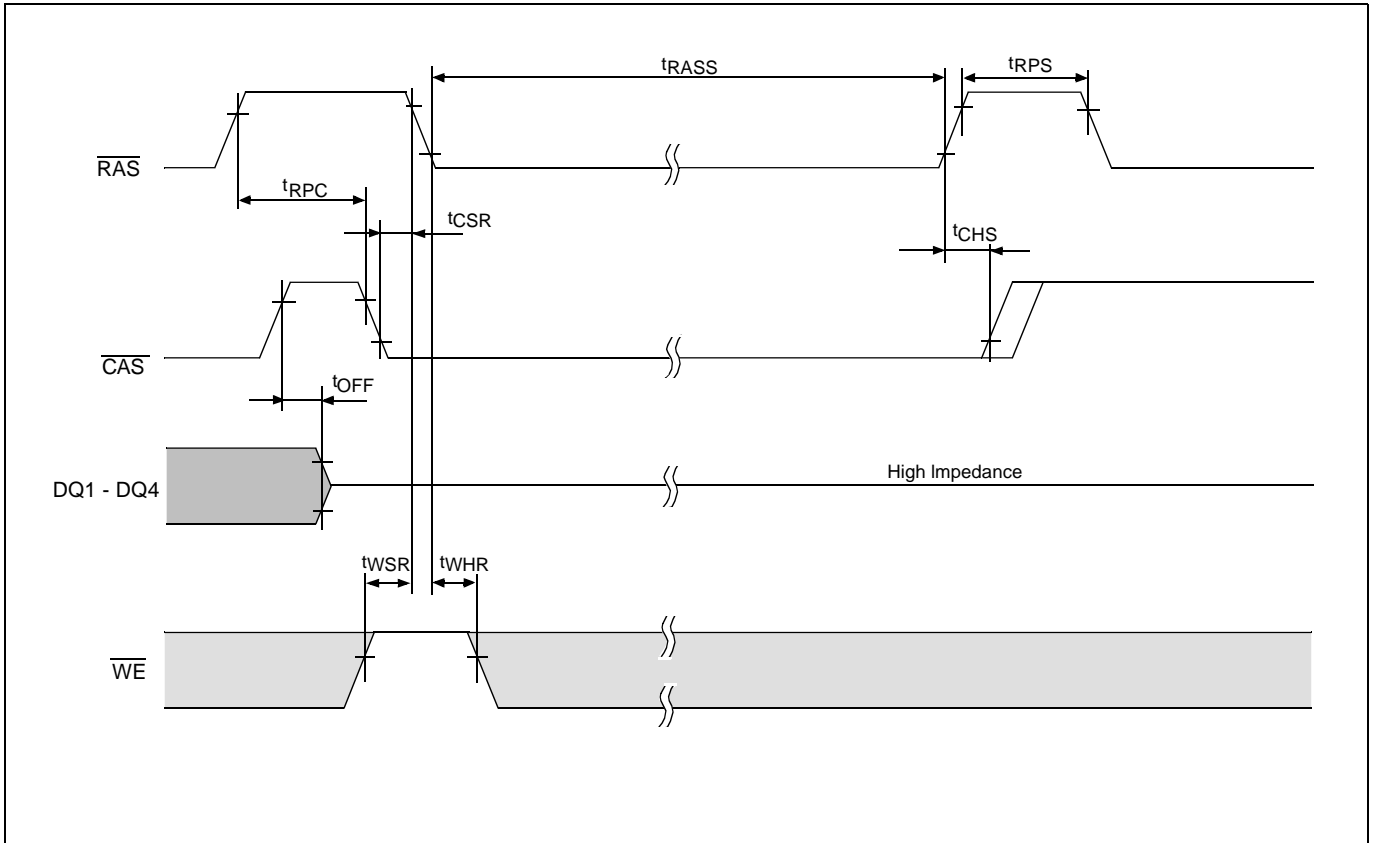
RAS - Only Refresh Cycle



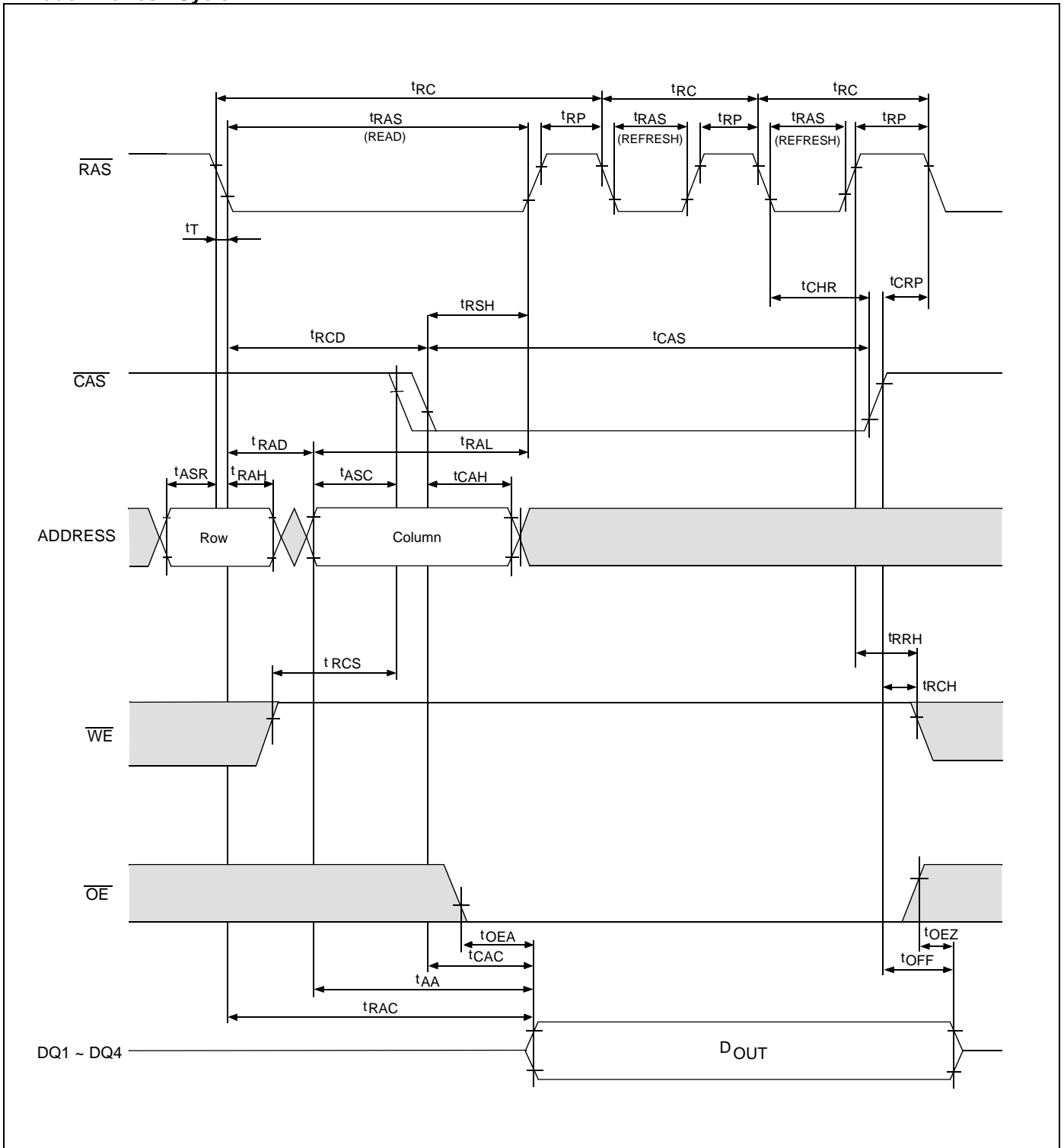
CAS - Before - RAS Refresh Cycle



CBR Self - Refresh Cycle (S - Version Only)



• Hidden Refresh Cycle



Ordering information

| Part Number | Access Time | Package |
|--------------------------|-------------|--------------------|
| VG26 (V) (S) 17400FJ - 5 | 50 ns | 300mil 26/24 - Pin |
| VG26 (V) (S) 17400FJ - 6 | 60 ns | Plastic SOJ |

VG26 (V) (S) 17400FJ - 5

- VG ➔ • VIS Memory Product
- 26 ➔ • Technology
- V ➔ • 3.3V version
- S ➔ • Self refresh
- 17400 ➔ • Device Type and Configuration
- F ➔ • Revision
- J ➔ • Package Type (J : SOJ , T : TSOJ II)
- 5 ➔ • Speed (5 : 50 ns, 6 : 60 ns)

Packaging information

- 300 mil, 26/24-Pin Plastic SOJ

