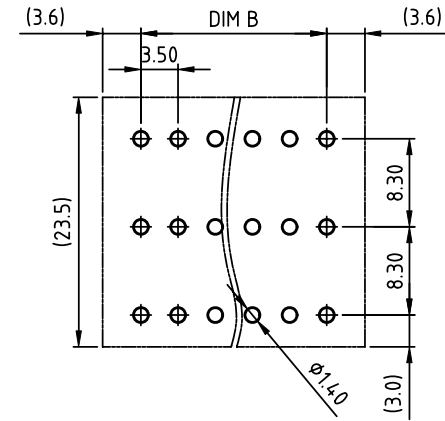
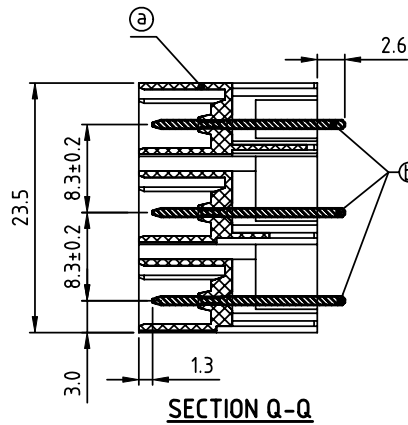
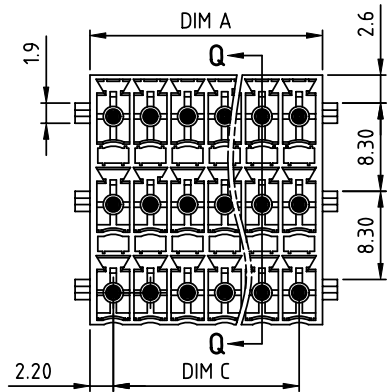
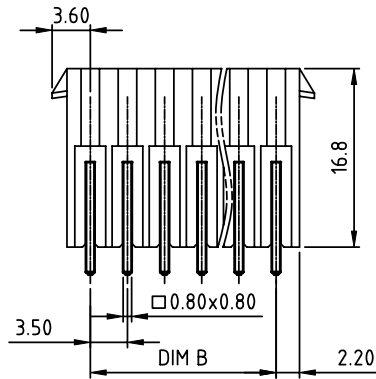


PRODUCT NUMBER	PITCH
K3xx13x0A0J0G	3.50 mm



RECOMMENDED P.C.B LAYOUT  
TOP VIEW



Material:

- Item (a) Terminal(housing):Thermoplastic (UL94V-0)
- Item (b) Pin: copper Tin plated

Electrical:

- Voltage rating: 160V
- Current rating: 5.5A
- Withstanding Voltage: 1.32 KV
- Operating temperature: -40°C to +115°C
- Soldering temperature: 260°C ±5°C/5 Sec
- Safety Approval:

DIMENSION

Dim A	(N/3-1) × 3.5+4.4
Dim B	(N/3-1) × 3.5
Dim C	(N/3-1) × 3.5
POLES	Tolerance
3×2P-3×6P	±0.15
3×7P-3×12P	±0.20
3×13P-3×18P	±0.25
3×19p-3×24p	±0.30

PART NO.: K3 xx 1 3 x 0 A0J0 G

Solid block	0	Color	Black (RAL9005)	RoHS compliant	(lead<4%)
No. of poles	2		Red (RAL3001/D)	In copper Alloy	
06	3x2poles	3	Orange(RAL2011/P)		
09	3x3poles	4	Yellow(RAL1018/A)		
...	...	5	Green(RAL6018/T)		
72	3x24poles	6	Blue (RAL5015/A)		
		8	Grey(RAL7035/D)		
		9	White(RAL1102)		
		C	Green(RAL6018/U)		

mat'l. code		surface ASME Y14.5	tolerance ASME Y14.5	projection	product family TERMINAL BLOCK
ltr	ecn no	dr	date	tolerances unless otherwise specified	title TERMINAL BLOCK
				angles X°±1°	PLUGGABLE SOCKET, WITH LATCH, VERTICAL
				dr	scale
				ENGR	FCI
				CHR	dwg no
				APPD	sheet 1 of 1
					size
					K3xx13x0A0J0G
					A4
					type
					CUSTOMER Drawing
sheet index	revision	A			
	sheet	1			