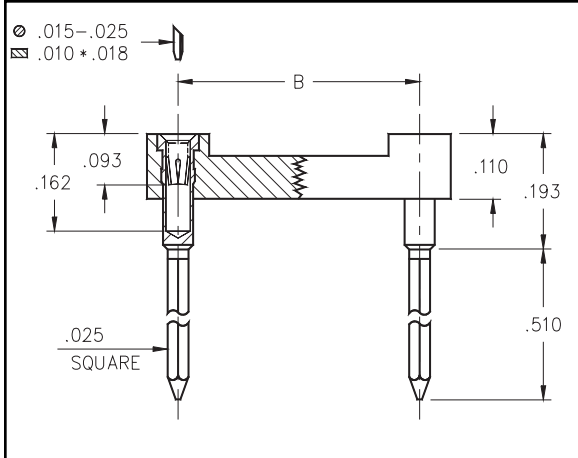


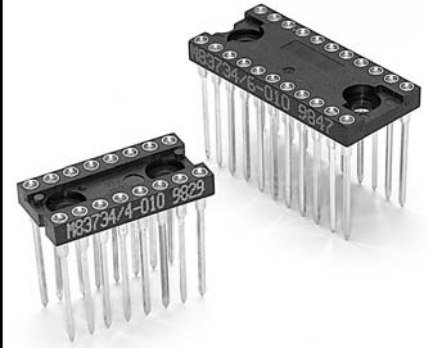


MILITARY DUAL-IN-LINE SOCKETS
MIL-S-83734 APPROVED
3 Level Wrappost, Closed Frame

Series 223...101



- Sockets are XY stackable.
- Machined outer sleeve with Hi-Rel, BeCu #30 inner contact.
- Socket pins feature closed-end construction eliminating any solder/flux wicking problems.
- Series 223 use MM #0038-3 pins. See page 166 for details.
- Insulators are high temperature thermoplastic.



Total number of pins				Quantity per tube	Ordering Information		
	A	B	C		Mill-Max Part Number	Military Part Number	
6	0.3	0.3	0.4	67	223-XX-306-41-101000	M83734/1-YYY	
8	0.4	0.3	0.4	50	223-XX-308-41-101000	M83734/2-YYY	
14	0.7	0.3	0.4	28	223-XX-314-41-101000	M83734/3-YYY	
16	0.8	0.3	0.4	25	223-XX-316-41-101000	M83734/4-YYY	
18	0.9	0.3	0.4	22	223-XX-318-41-101000	M83734/5-YYY	
20	1.0	0.3	0.4	20	223-XX-320-41-101000	M83734/13-YYY	
22	1.1	0.4	0.5	18	223-XX-422-41-101000	M83734/6-YYY	
24	1.2	0.6	0.7	16	223-XX-624-41-101000	M83734/8-YYY	
28	1.4	0.6	0.7	14	223-XX-628-41-101000	M83734/7-YYY	
32	1.6	0.6	0.7	12	223-XX-632-41-101000	M83734/17-YYY	
40	2.0	0.6	0.7	10	223-XX-640-41-101000	M83734/10-YYY	
64	3.2	0.9	1.0	6	223-XX-964-41-101000	M83734/15-YYY	

*For Electrical,
Mechanical & Environmental
Data, See pg. 4*

*XX=Plating Code
See Below*

SEE PAGE 35 FOR COMPLETE QPL			
SPECIFY MILL-MAX PLATING CODE XX=	33	83	88
FOR MILITARY CODE YYY=	010	011	012
(32 PIN ONLY) YYY=	007	008	009
Sleeve (Pin)	30μ" Au	300μ" Sn/Pb	300μ" Sn/Pb
Contact (Clip)	30μ" Au	30μ" Au	100μ" Sn/Pb