

# Ceramic High Pass Filter

1060 to 3200 MHz

**NEW!**  
**HFCN-880**



**BLUE CELL™**

CASE STYLE: FV1206

## Maximum Ratings

Operating Temperature	-55°C to 100°C
Storage Temperature	-55°C to 100°C
RF Power Input*	7W max. at 25°C

\*Passband rating, derate linearly to 3W at 100°C ambient.

## Pin Connections

RF IN	1**
RF OUT	3**
GROUND	2,4

\*\* RF IN & RF OUT can be interchanged

## Features

- low cost
- small size
- 7 sections
- temperature stable
- excellent power handling, 7W

## Applications

- sub-harmonic rejection
- transmitters/receivers
- lab use

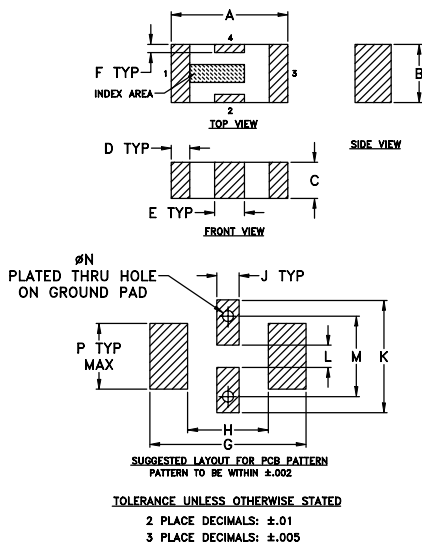
Model	Price	Qty.
HFCN-880	\$1.99	(10-49)
HFCN-880D	\$2.49	(10-49)

## High Pass Filter Electrical Specifications<sup>1</sup> (T<sub>AMB</sub>=25°C)

MODEL NO.	STOP BAND (MHz)		f <sub>co</sub> , MHz Nom. (loss < 3 dB) Typ.	PASSBAND (MHz)		VSWR Typ. Frequency (MHz) 1.5:1 Stopband	POWER INPUT (W)	NO. OF SECTIONS
	(loss > 40 dB)	(loss > 20 dB)		(loss < 1.3 dB) Max.	(loss < 2 dB) Typ.			
HFCN-880	500	640	880	1060-2500	950-3200	20:1	7	7

1. For Applications requiring DC voltage to be applied to the Input or output, use HFCN-880D (DC Resistance to ground is 100 Mohms min.)

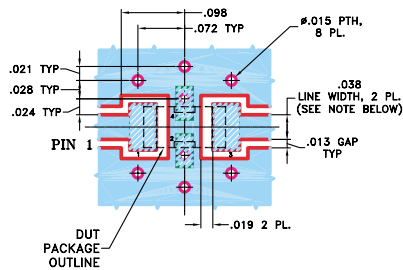
## Outline Drawing



## Outline Dimensions (inch)

A	B	C	D	E	F	G	H	J	K	L	M	N	P	wt
.126	.063	.037	.024	.087	.009	.169	.087	.024	.122	.024	.087	.012	.071	grams
3.20	1.60	0.94	0.51	0.81	0.23	4.29	2.21	0.61	3.10	0.61	2.21	0.30	1.80	.020

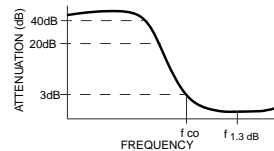
## Demo Board MCL P/N: TB-270 Suggested PCB Layout (PL-137)



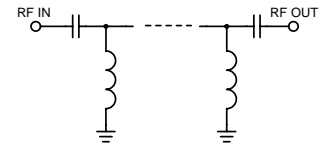
**NOTE:**  
1. TRACE WIDTH IS SHOWN FOR ROGERS RO4350 WITH DIELECTRIC THICKNESS .020" ± .0015". COPPER: 1/2 OZ. EACH SIDE. FOR OTHER MATERIALS TRACE WIDTH MAY NEED TO BE MODIFIED.  
2. BOTTOM SIDE OF THE PCB IS CONTINUOUS GROUND PLANE.

- DENOTES PCB COPPER LAYOUT
- DENOTES COPPER LAND PATTERN FREE OF SOLDERMASK

## typical frequency response



## schematic



## Typical Performance Data at 25°C

Frequency (MHz)	Insertion Loss (dB)	VSWR (:1)
1.00	82.28	>20
10.00	78.78	>20
501.00	50.29	>20
650.00	26.04	>20
880.00	3.50	2.39
970.00	1.56	1.58
1000.00	1.24	1.50
1600.00	0.55	1.39
2000.00	0.39	1.03
2400.00	0.54	1.44
2800.00	0.90	2.10
3200.00	1.68	2.96
3800.00	3.10	4.60
4200.00	4.05	5.83
5000.00	5.81	8.47

