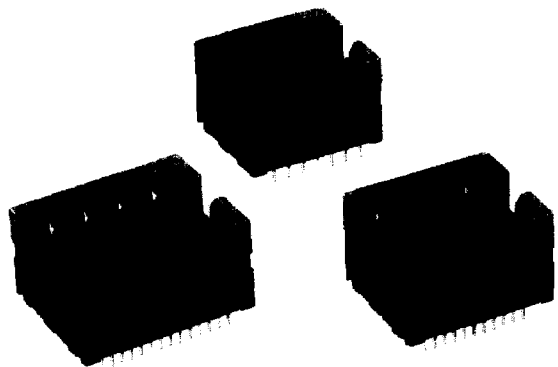


IC 235 SERIES TSOP



FEATURES

- Open top type sockets for TSOP packages.
- Unique, compact design ensures high-density mounting of burn-in inboards.
- Unique contact design ensures outstanding contact reliability especially in monitored burn-in operations.

SPECIFICATIONS

PERFORMANCE

Insulation Resistance	1,000MΩ min. at 100VDC
Dielectric Withstanding Voltage	700VAC rms for 1 minute
Contact Resistance	30mΩ max. at 10mA
Operating Temperature Range	-40°C to +150°C

MATERIAL AND FINISH

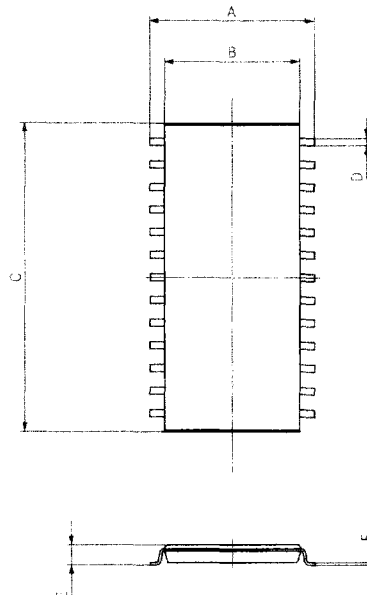
Housing	PEI (glass-filled)
Contacts	Copper alloy, gold plating over nickel

ORDERING CODE

IC235—0442—015P

IC235 series	Number of leads	Design number (for internal use only)	Positioning pin option P = With	Unmarked = Without

●Applicable IC Dimensions



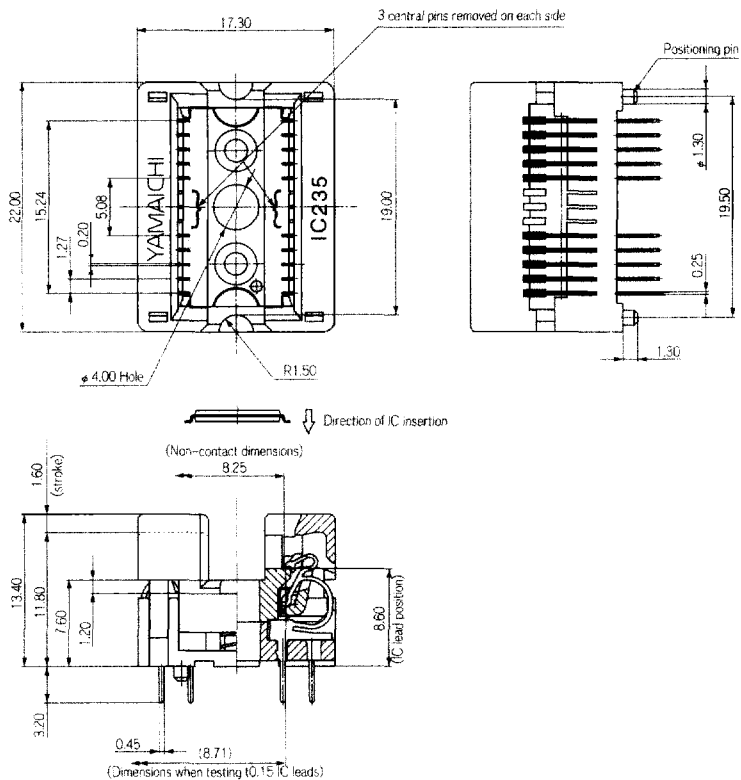
●Applicable IC Dimensions (Reference Only)

Part No.	No. of Leads	Pitch	A	B	C	D	E	F
IC235—0202—001	20	1.27	9.22	7.56	17.44	0.40	1.13	0.145
IC235—0242—002	24	1.27	9.22	7.56	17.44	0.40	1.13	0.145
IC235—0242—003	24	1.27	11.76	10.16	18.71	0.40	1.13	0.145
IC235—0262—006	26	1.27	9.22	7.56	17.44	0.40	1.13	0.145
IC235—0282—004	28	1.27	11.76	10.16	18.71	0.40	1.13	0.145
IC235—0402—005	40	0.80	11.76	10.16	18.71	0.27	1.13	0.145
IC235—0442—007	44	0.80	11.76	10.16	18.71	0.30	1.13	0.145
IC235—0442—015	44	0.80	11.76	10.16	21.35	0.27	1.13	0.145
IC235—0502—009	50	0.80	11.76	10.16	21.35	0.27	1.13	0.145
IC235—0542—018	54	0.80	14.30	12.70	22.47	0.30	1.10	0.125

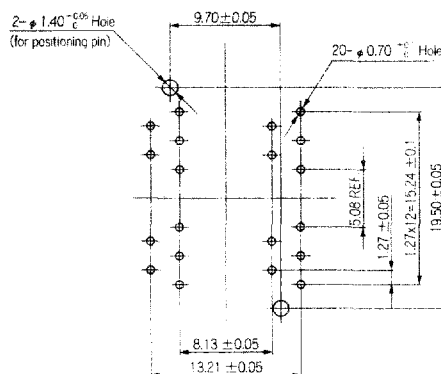
Unit = mm

IC SOCKETS For Test Burn-in

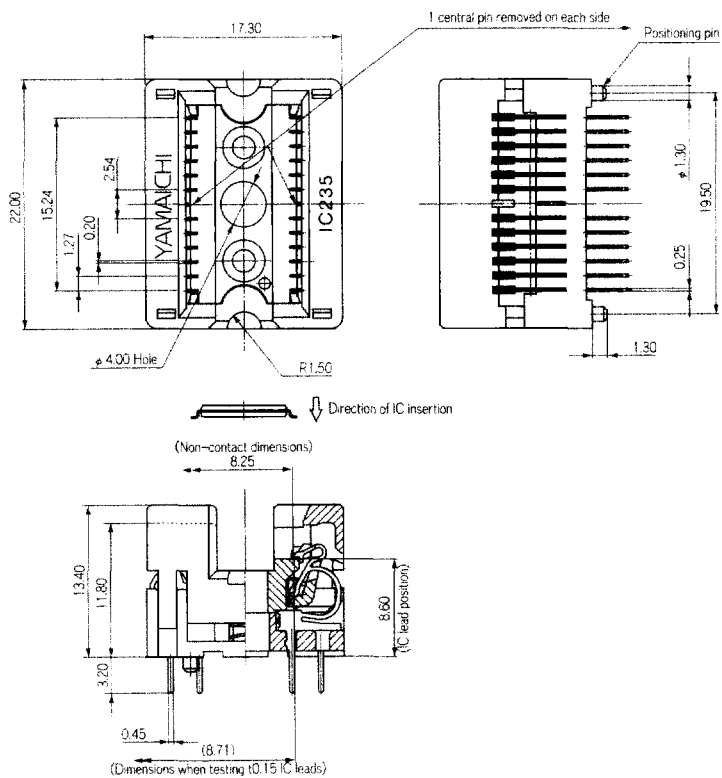
●IC235—0202—001



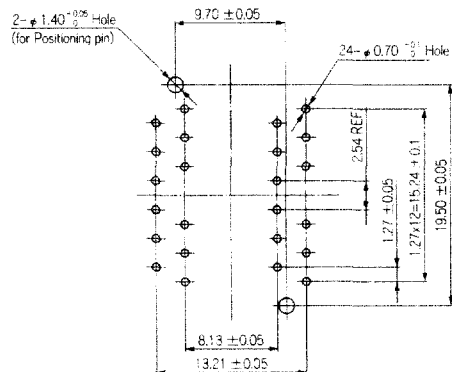
●Recommended PC Board Patterns (TOP VIEW)



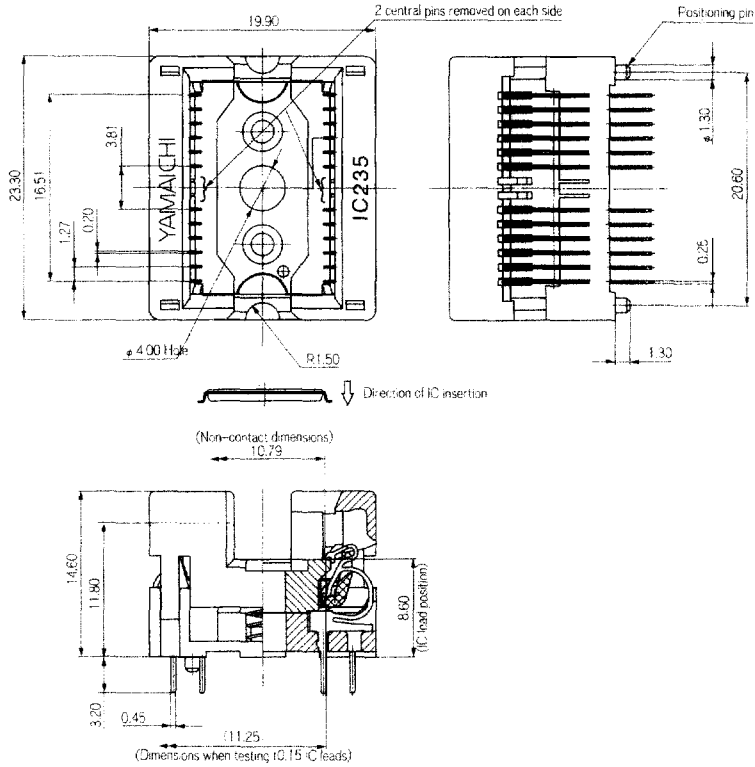
●IC235—0242—002



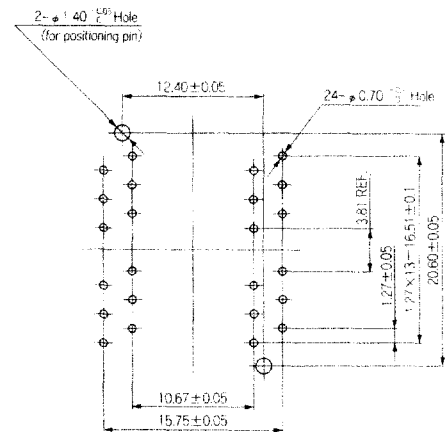
●Recommended PC Board Patterns (TOP VIEW)



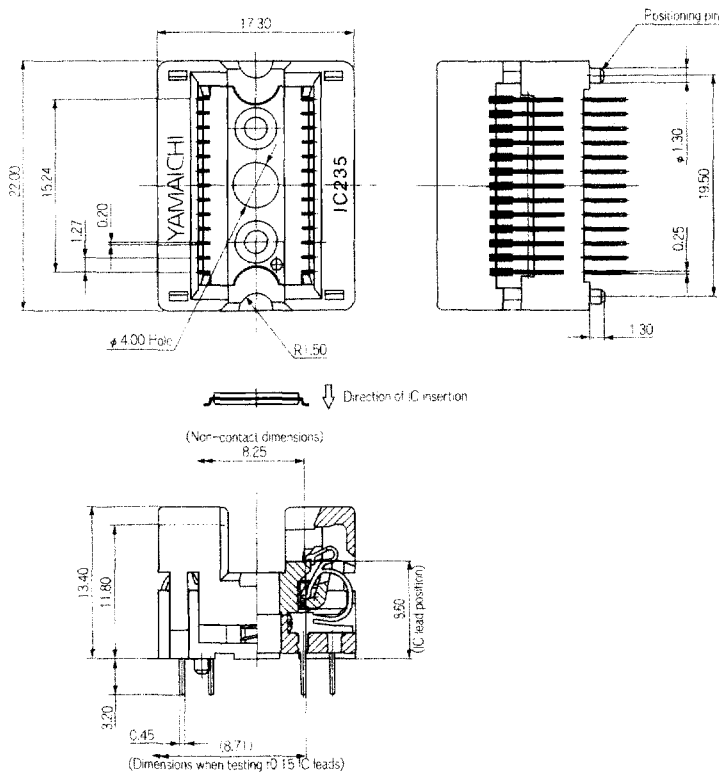
●IC235—0242—003



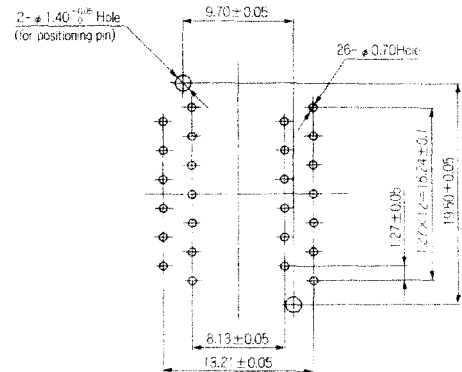
●Recommended PC Board Patterns (TOP VIEW)



●IC235—0262—006

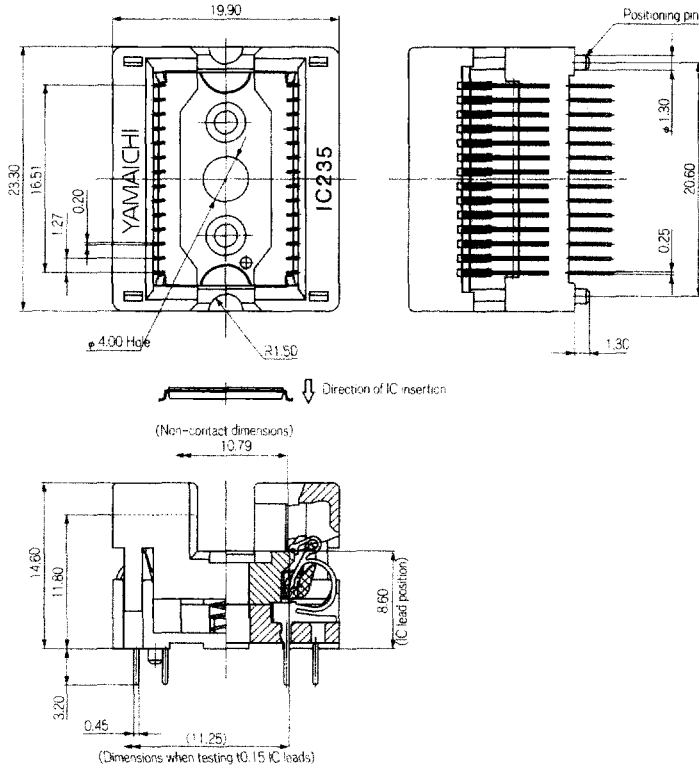


●Recommended PC Board Patterns (TOP VIEW)

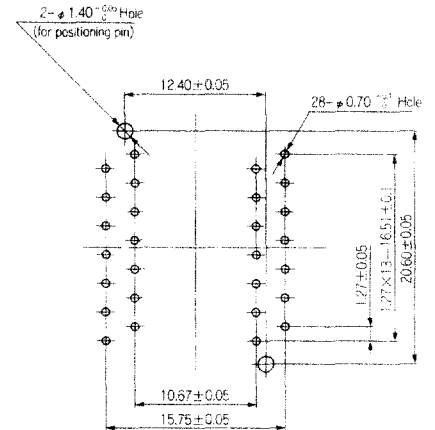


IC SOCKETS For Test Burn-in

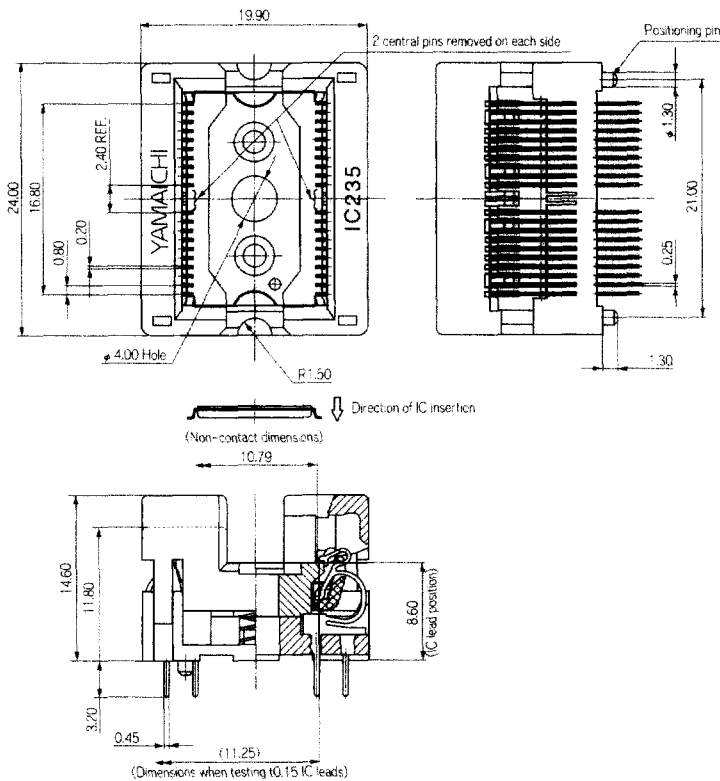
●IC235—0282—004



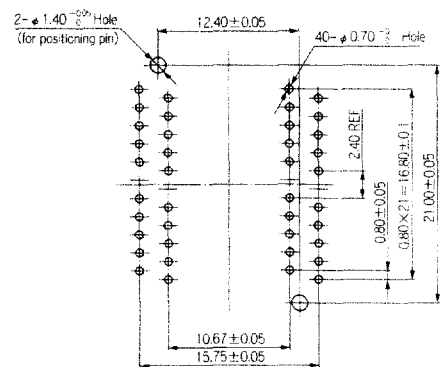
●Recommended PC Board Patterns (TOP VIEW)



●IC235—0402—005



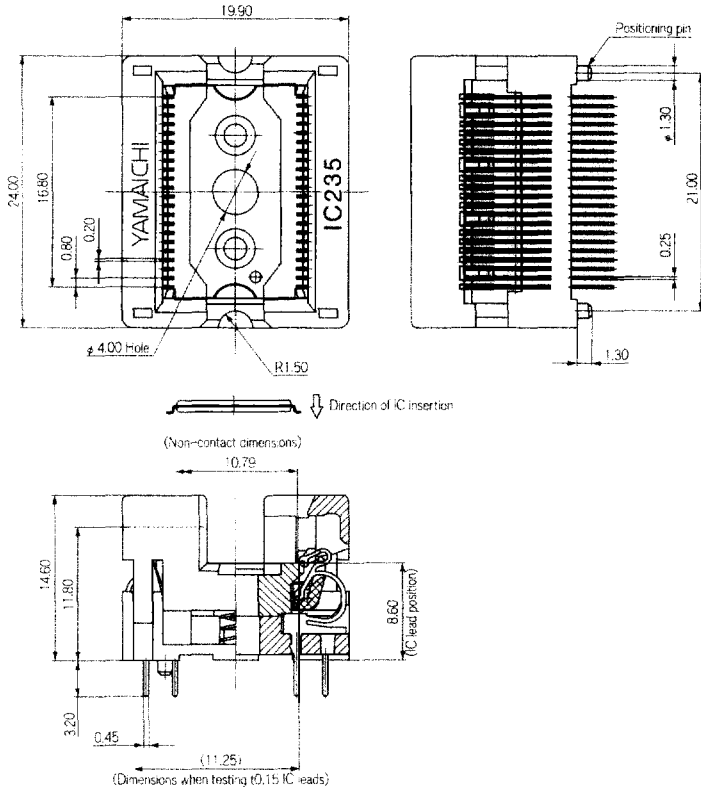
●Recommended PC Board Patterns (TOP VIEW)



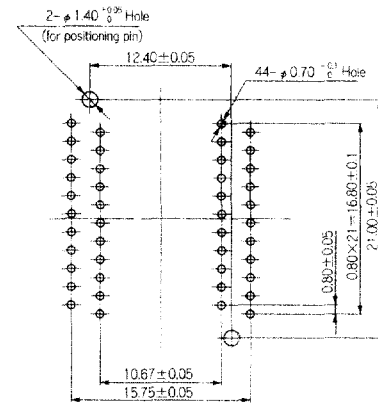
IC 235 SERIES

TSOP

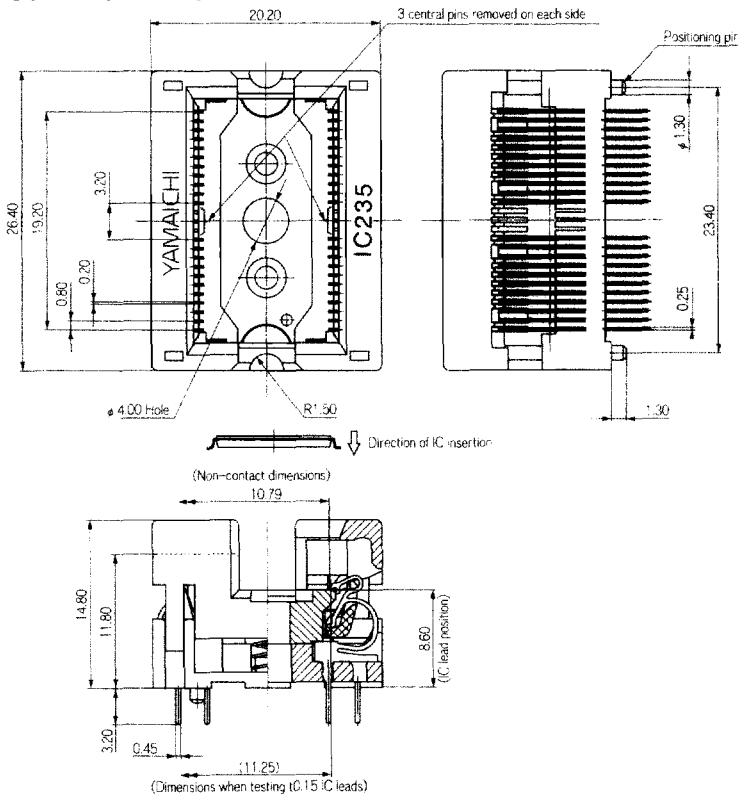
●IC235—0442—007



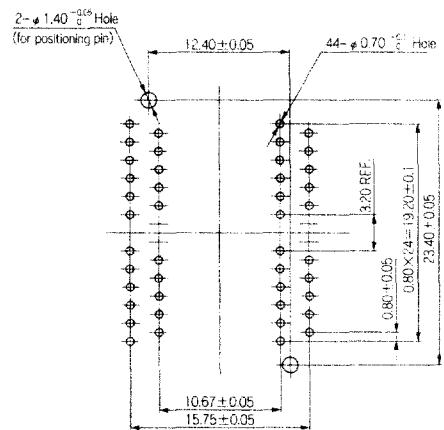
●Recommended PC Board Patterns (TOP VIEW)



●IC235—0442—015



●Recommended PC Board Patterns (TOP VIEW)

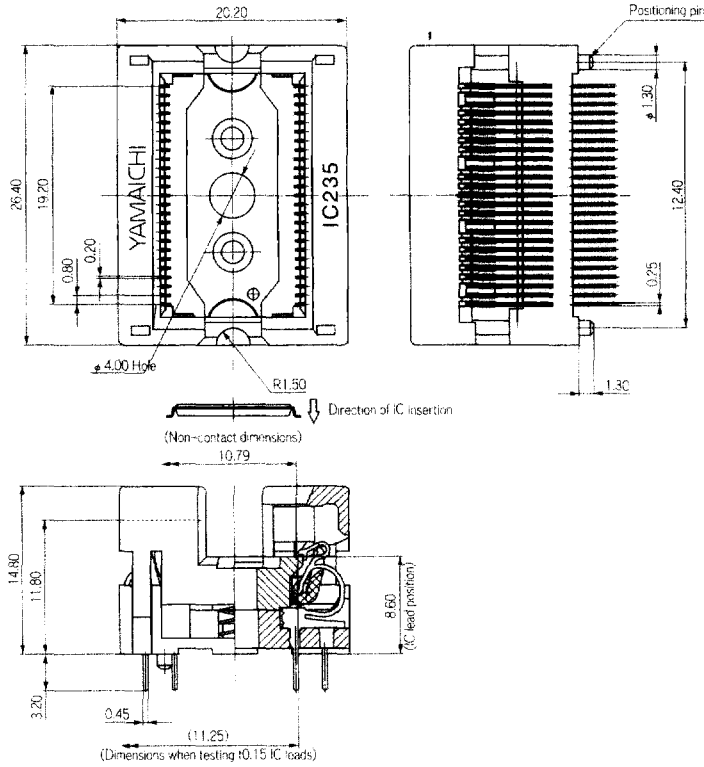


IC SOCKETS for Test Burn-in

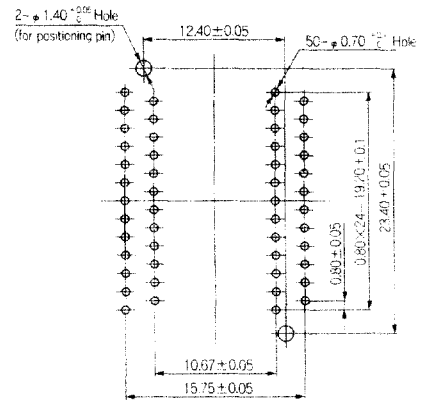
IC 235 SERIES

TSOP

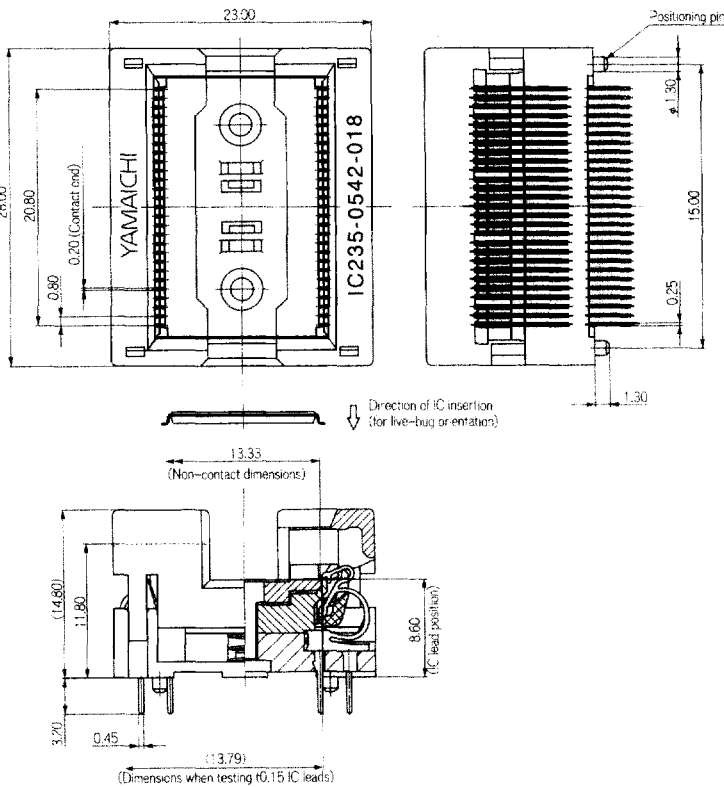
●IC235—0502—009



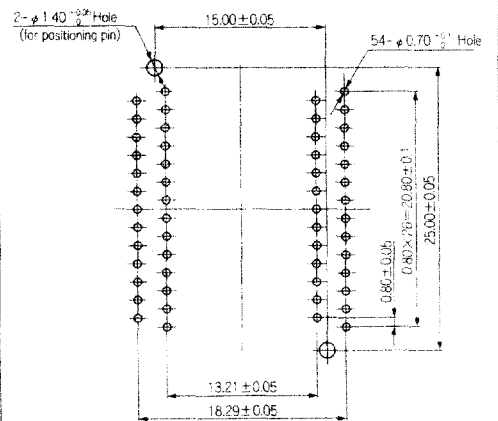
●Recommended PC Board Patterns (TOP VIEW)



●IC235—0542—018



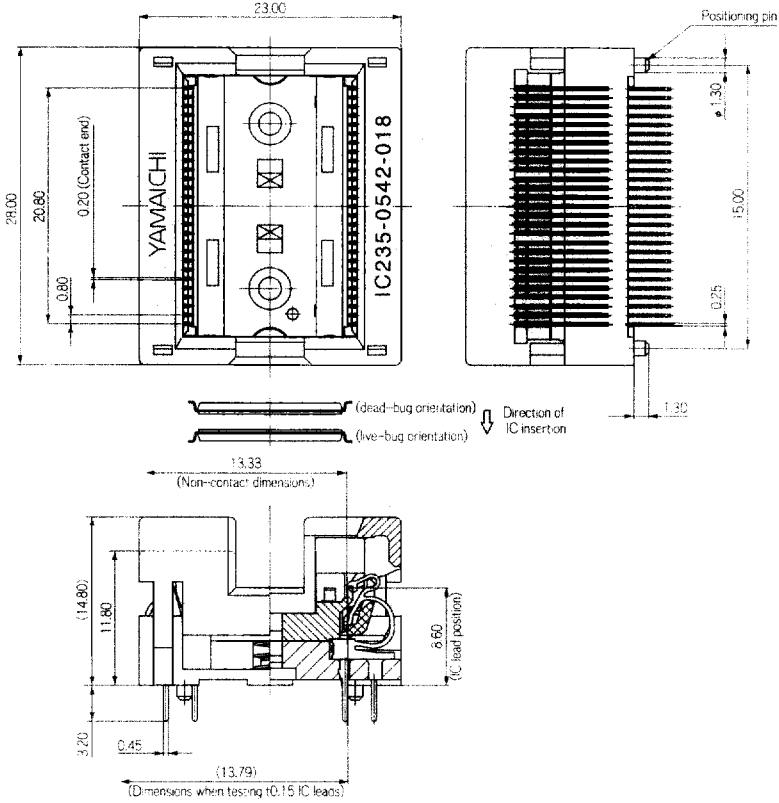
●Recommended PC Board Patterns (TOP VIEW)



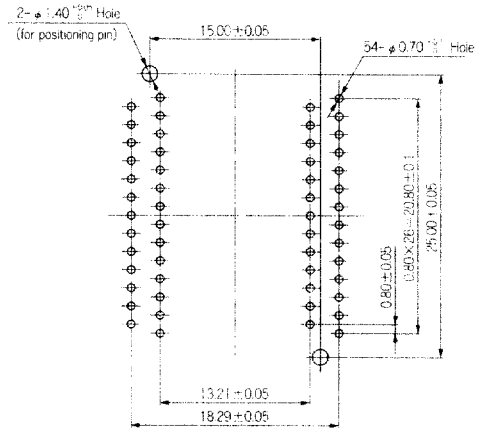
IC 235 SERIES

TSOP

● IC235-0542-018-2



● Recommended PC Board Patterns (TOP VIEW)



IC SOCKETS For Test Burn-in