

Radiation Hardened, Very Wideband, High Input Impedance Uncompensated Operational Amplifiers

HS-2620RH and HS-2622RH are radiation hardened bipolar operational amplifiers that feature very high input impedance coupled with wideband AC performance. The high resistance of the input stage is complemented by low offset voltage (4mV Max at 25°C for HS-2620RH) and low bias and offset current (15nA Max at 25°C for HS-2620RH) to facilitate accurate signal processing. Offset voltage can be reduced further by means of an external nulling potentiometer. Closed loop gains greater than 5, the 25V/μs minimum slew rate at 25°C and the 100kV/V minimum open loop gain at 25°C, enables the HS-2620RH to perform high gain amplification of very fast, wideband signals. These dynamic characteristics, coupled with fast settling times, make these amplifiers ideally suited to pulse amplification designs as well as high frequency or video applications. The frequency response of the amplifier can be tailored to exact design requirements by means of an external bandwidth control capacitor. Other high performance designs such as high gain, low distortion audio amplifiers, high-Q and wideband active filters and high speed comparators are excellent uses of this part.

Specifications for Rad Hard QML devices are controlled by the Defense Supply Center in Columbus (DSCC). The SMD numbers listed here must be used when ordering.

Detailed Electrical Specifications for these devices are contained in SMD 5962-95688. A “hot-link” is provided on our homepage for downloading.
www.intersil.com/spacedefense/space.asp

Features

- Electrically Screened to SMD # 5962-95688
- QML Qualified per MIL-PRF-38535 Requirements
- High Input Impedance (HS-2620RH) 65MΩ (Min)
- High Gain (HS-2620RH) 100kV/V (Min)
150kV/V (Typ)
- High Slew Rate (HS-2620RH) 25V/μs (Min)
35V/μs (Typ)
- Low Input Bias Current (HS-2620RH) 15nA (Max)
5nA (Typ)
- Low Input Offset Voltage (HS-2620RH) 4mV (Max)
- Wide Gain Bandwidth Product (AV ≥ 5) 100MHz (Typ)
- Output Short Circuit Protection
- Total Dose 1 x 10⁴ RAD(Si)

Applications

- Video and RF Amplifiers
- Pulse Amplifiers
- Audio Amplifiers and Filters
- High-Q Active Filters
- High Speed Comparators

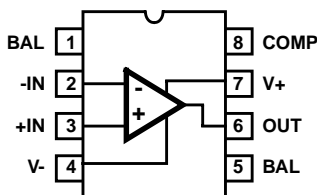
Ordering Information

| ORDERING NUMBER | INTERNAL MKT. NUMBER | TEMP. RANGE (°C) |
|-----------------|----------------------|------------------|
| 5962D9568801VGA | HS2-2620RH-Q | -55 to 125 |
| 5962D9568801VPA | HS7-2620RH-Q | -55 to 125 |
| 5962D9568801VPC | HS7B-2620RH-Q | -55 to 125 |
| 5962D9568802VGA | HS2-2622RH-Q | -55 to 125 |
| 5962D9568802VPA | HS7-2622RH-Q | -55 to 125 |
| 5962D9568802VPC | HS7B-2622RH-Q | -55 to 125 |

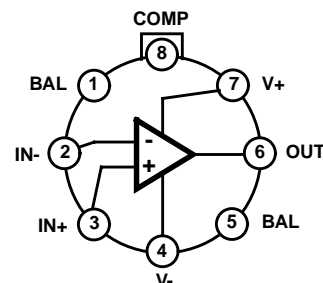
Pinouts

HS7-2620RH, HS7-2622RH (CERDIP) GDIP1-T8
OR

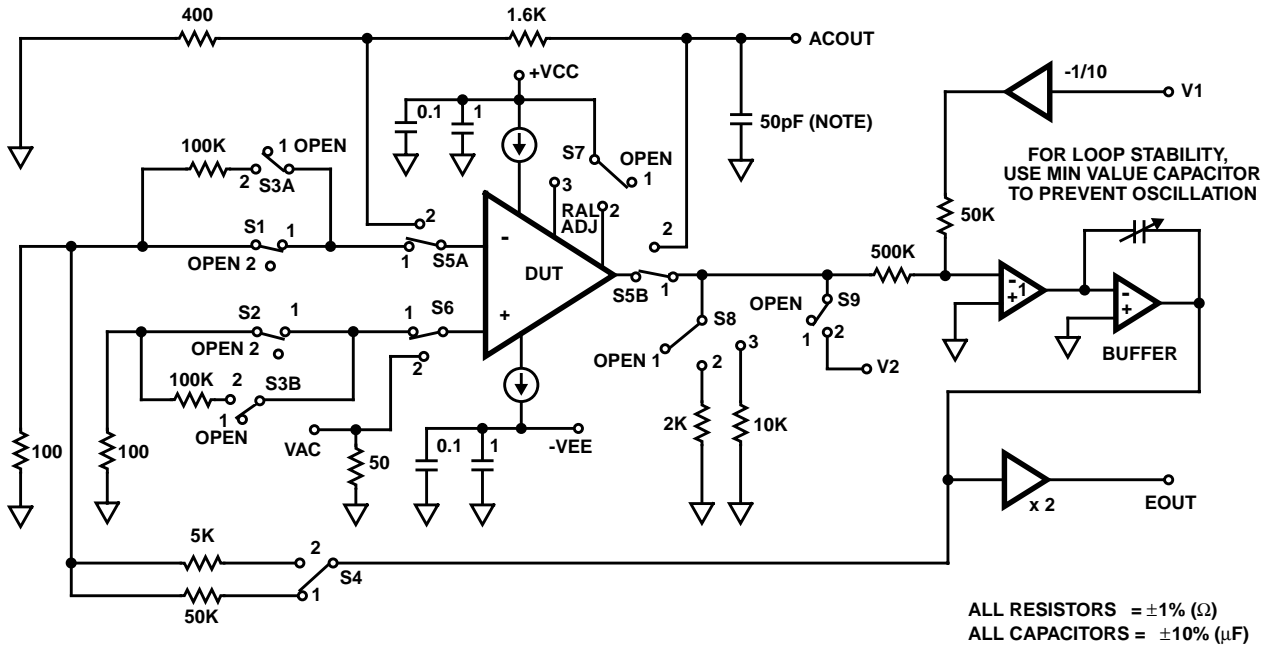
HS7B-2620RH, HS7B-2622RH (SBDIP) CDIP2-T8
TOP VIEW



HS2-2620RH, HS2-2622RH (CAN) MACY1-X8
TOP VIEW



Test Circuit



NOTE: Includes stray capacitances.

FIGURE 1. TEST LOOP FOR THE HS-2620RH AND THE HS-2622RH

Test Circuits and Waveforms

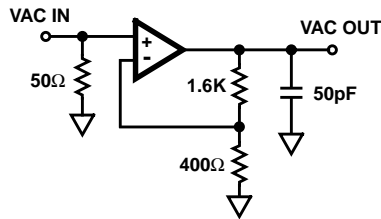


FIGURE 2. SIMPLIFIED TEST CIRCUIT

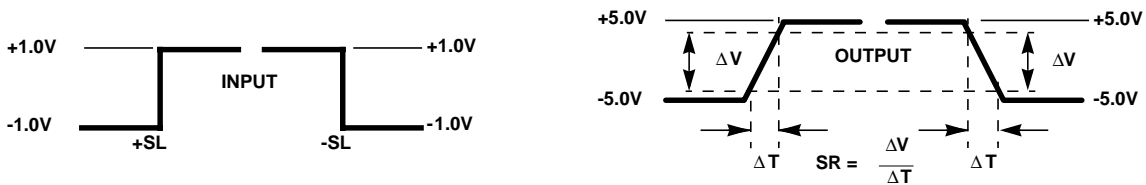
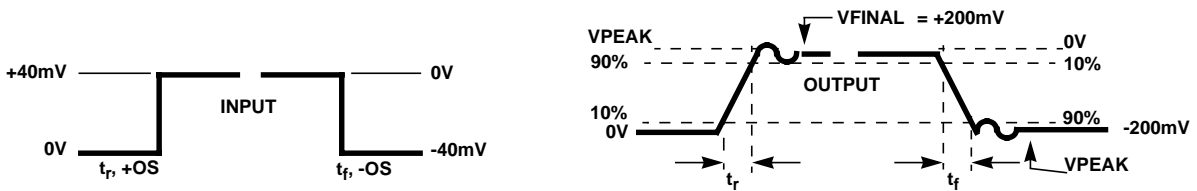


FIGURE 3. SLEW RATE WAVEFORM

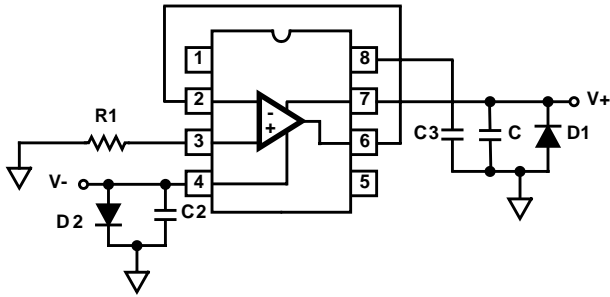


NOTE: Measured on both positive and negative transitions. Capacitance at Compensation pin should be minimized.

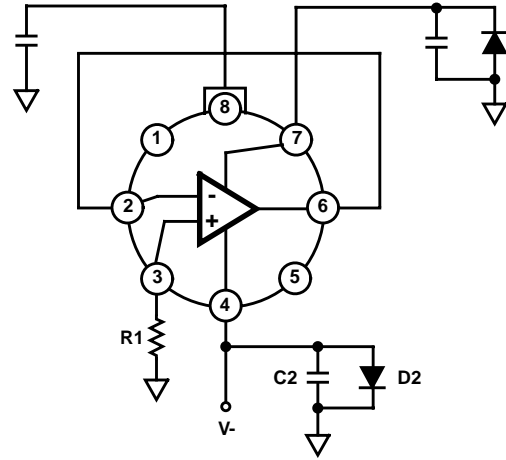
FIGURE 4. OVERSHOOT, RISE AND FALL TIME WAVEFORMS

Burn-In Circuits

HS7-2620RH CERDIP
HS7-2622RH CERDIP



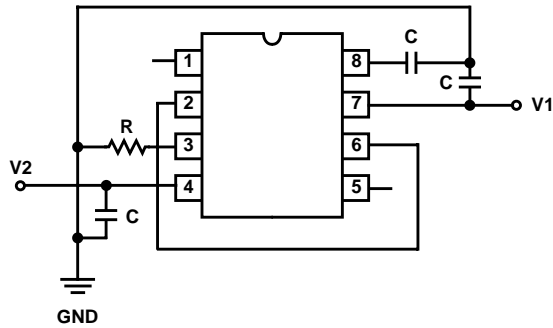
HS2-2620RH (TO-99) METAL CAN
HS2-2622RH (TO-99) METAL CAN



NOTES:

1. R1 = 1MΩ, ±5%, 1/4W (Min)
2. C1 = C2 = 0.01μF/Socket (Min) of 0.1μF/Row (Min)
3. C3 = 0.01μF/Socket (10%)
4. D1 = D2 = IN4002 or Equivalent/Board
5. I(V+) - (V-) = 31V ±1V

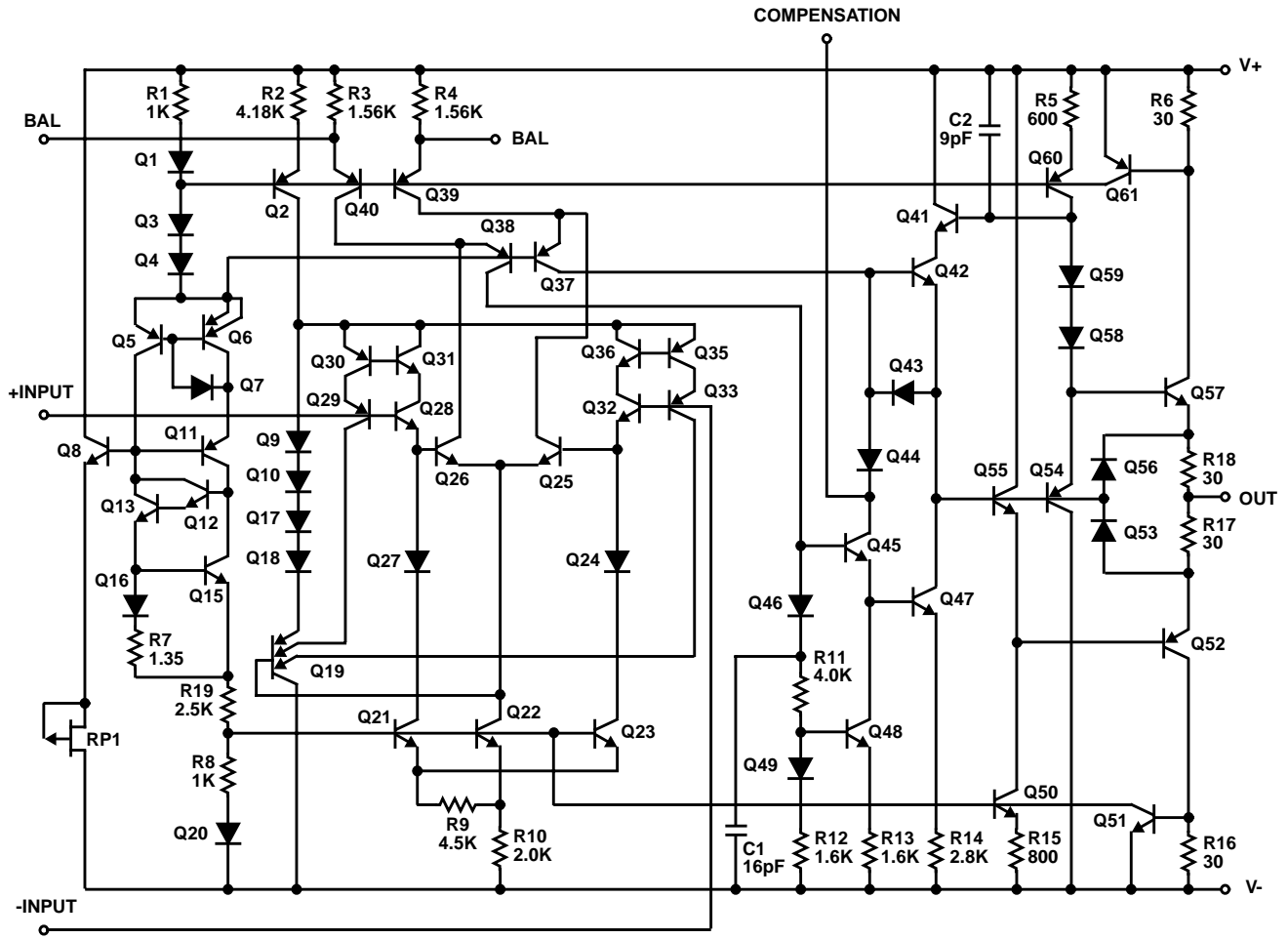
Irradiation Circuit



NOTES:

6. V1 = +15V ±10%
7. V2 = -15V ±10%
8. R = 1MΩ ±5%
9. C = 0.1μF ±10%

Schematic Diagram



HS-2620RH, HS-2622RH

Die Characteristics

DIE DIMENSIONS:

69 mils x 66 mils x 19 mils ± 1 mil
1750 μ m x 1420 μ m x 483 μ m $\pm 25.4\mu$ m

INTERFACE MATERIALS:

Glassivation:

Type: Nitride (Si3N4) over Silox (SiO2, 5% Phos.)
Silox Thickness: 12k \AA $\pm 2\text{k}\text{\AA}$
Nitride Thickness: 3.5k \AA $\pm 1.5\text{k}\text{\AA}$

Top Metallization:

Type: Al, 1% Cu
Thickness: 18k \AA $\pm 2\text{k}\text{\AA}$

Substrate:

Linear Bipolar, DI

Backside Finish:

Silicon

ASSEMBLY RELATED INFORMATION:

Substrate Potential (Powered Up):

Unbiased

ADDITIONAL INFORMATION:

Worst Case Current Density:

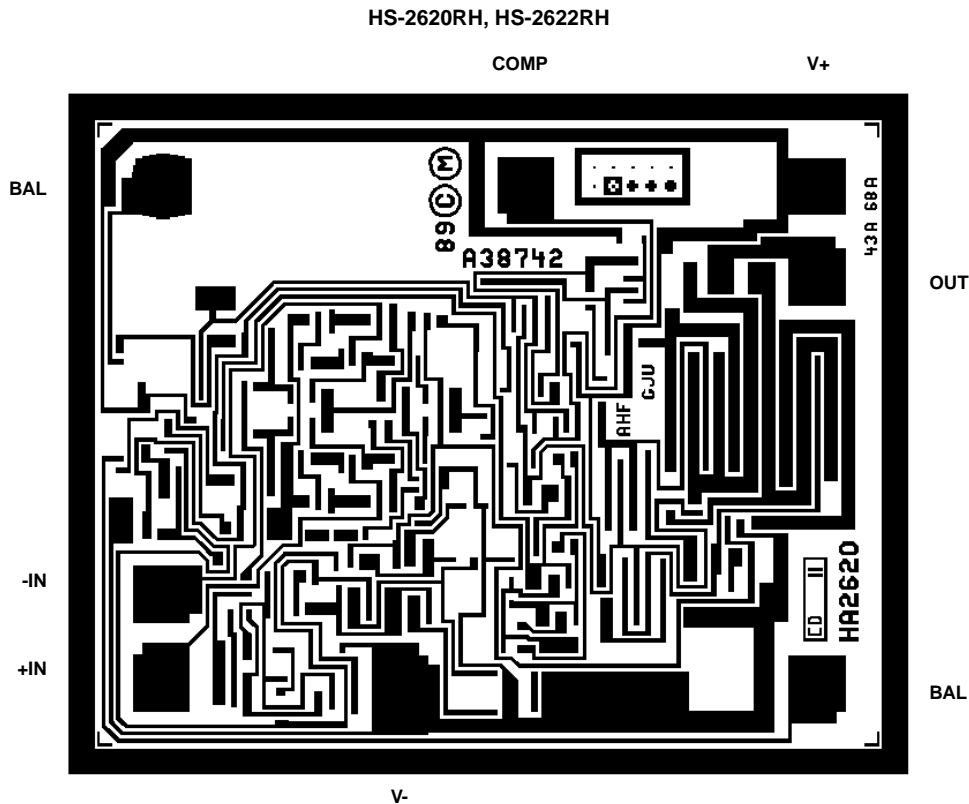
$< 2 \times 10^5$ A/cm²

Transistor Count:

HS-2620RH: 140

HS-2622RH: 140

Metallization Mask Layout



All Intersil semiconductor products are manufactured, assembled and tested under **ISO9000** quality systems certification.

Intersil semiconductor products are sold by description only. Intersil Corporation reserves the right to make changes in circuit design and/or specifications at any time without notice. Accordingly, the reader is cautioned to verify that data sheets are current before placing orders. Information furnished by Intersil is believed to be accurate and reliable. However, no responsibility is assumed by Intersil or its subsidiaries for its use; nor for any infringements of patents or other rights of third parties which may result from its use. No license is granted by implication or otherwise under any patent or patent rights of Intersil or its subsidiaries.

For information regarding Intersil Corporation and its products, see web site <http://www.intersil.com>