

SHINDENGEN

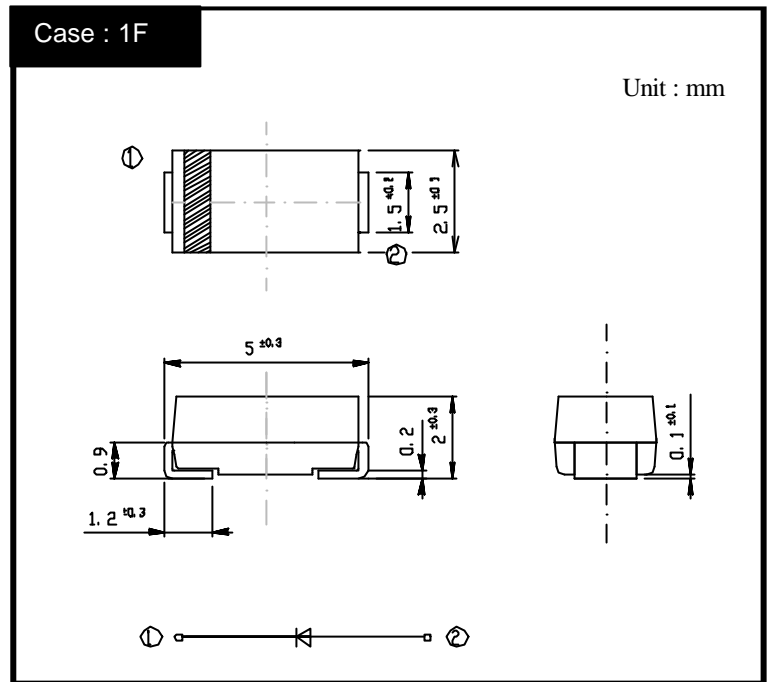
General Purpose Rectifiers

Single

D1F60A

600V 1.2A

OUTLINE DIMENSIONS



RATINGS

Absolute Maximum Ratings (If not specified $T_I=25$)

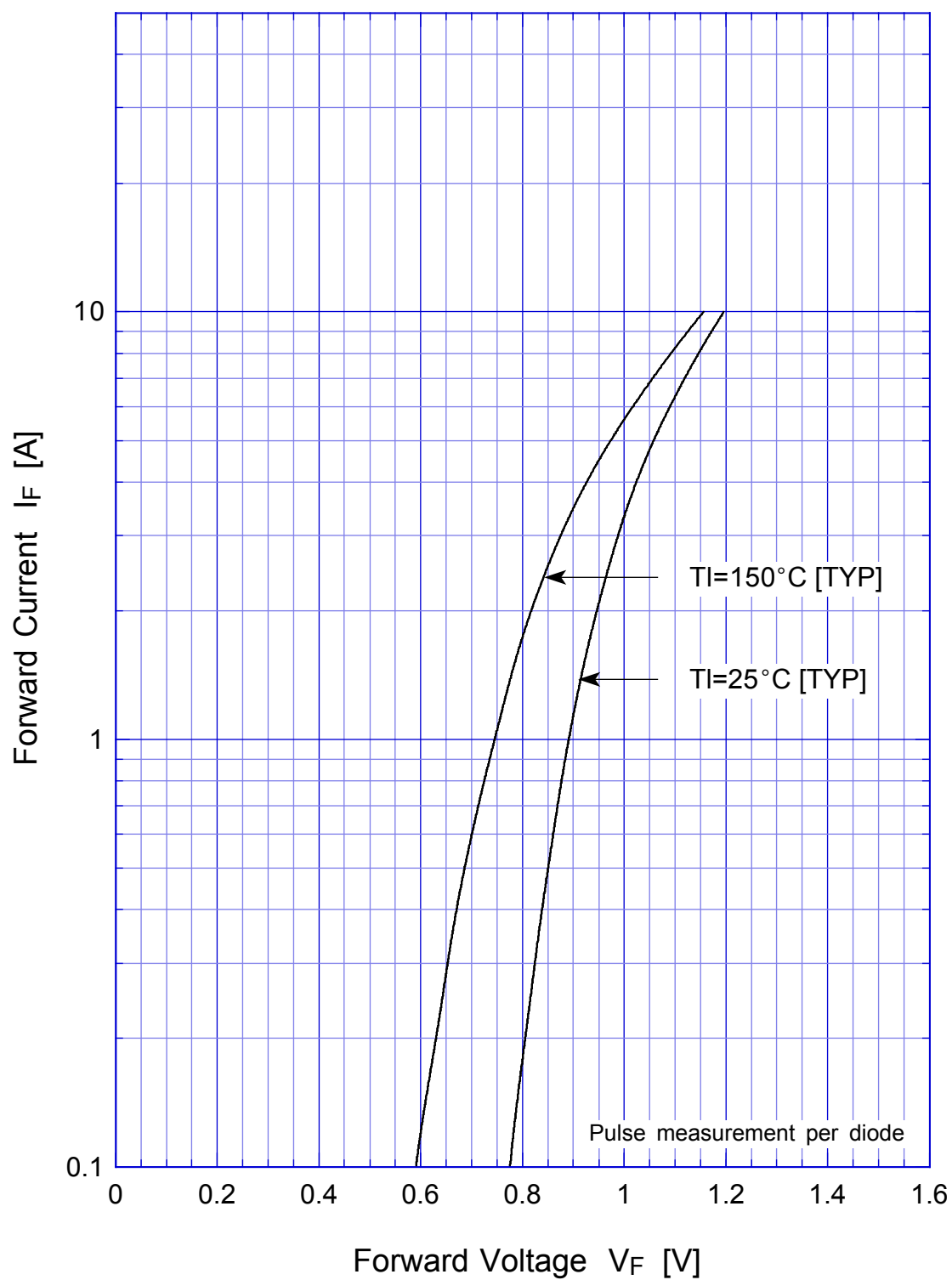
Item	Symbol	Conditions	Ratings	Unit
Storage Temperature	T_{stg}		-55 ~ 150	
Operating Junction Temperature	T_j		150	
Maximum Reverse Voltage	V_{RM}		600	V
Average Rectified Forward Current	I_o	50Hz sine wave, R-load, $T_a=25$ On alumina substrate	1.2	A
		50Hz sine wave, R-load, $T_a=25$ On glass-epoxy substrate	0.88	
Peak Surge Forward Current	I_{FSM}	50Hz sine wave, Non-repetitive 1 cycle peak value, $T_j=25$	45	A
Current squared time	I^2t	1ms $t < 10$ ms	8	A ² s

Electrical Characteristics (If not specified $T_I=25$)

Item	Symbol	Conditions	Ratings	Unit
Forward Voltage	V_F	$I_F=1.2A$, Pulse measurement	Max.0.97	V
Reverse Current	I_R	$V_R=V_{RM}$, Pulse measurement	Max.10	μA
Thermal Resistance	θ_{jl}	junction to lead	Max.23	/W
	θ_{ja}	junction to ambient On alumina substrate	Max.108	
		junction to ambient On glass-epoxy substrate	Max.157	

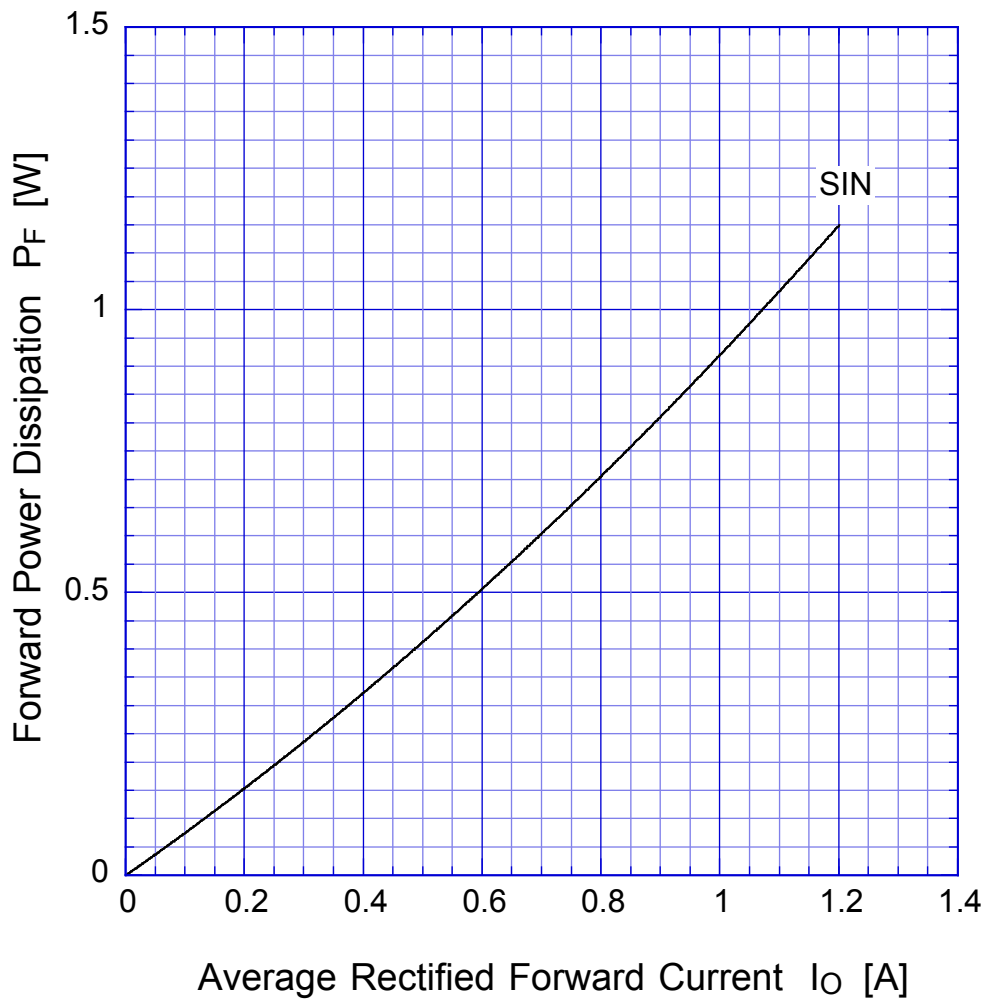
D1F60A

Forward Voltage



D1F60A

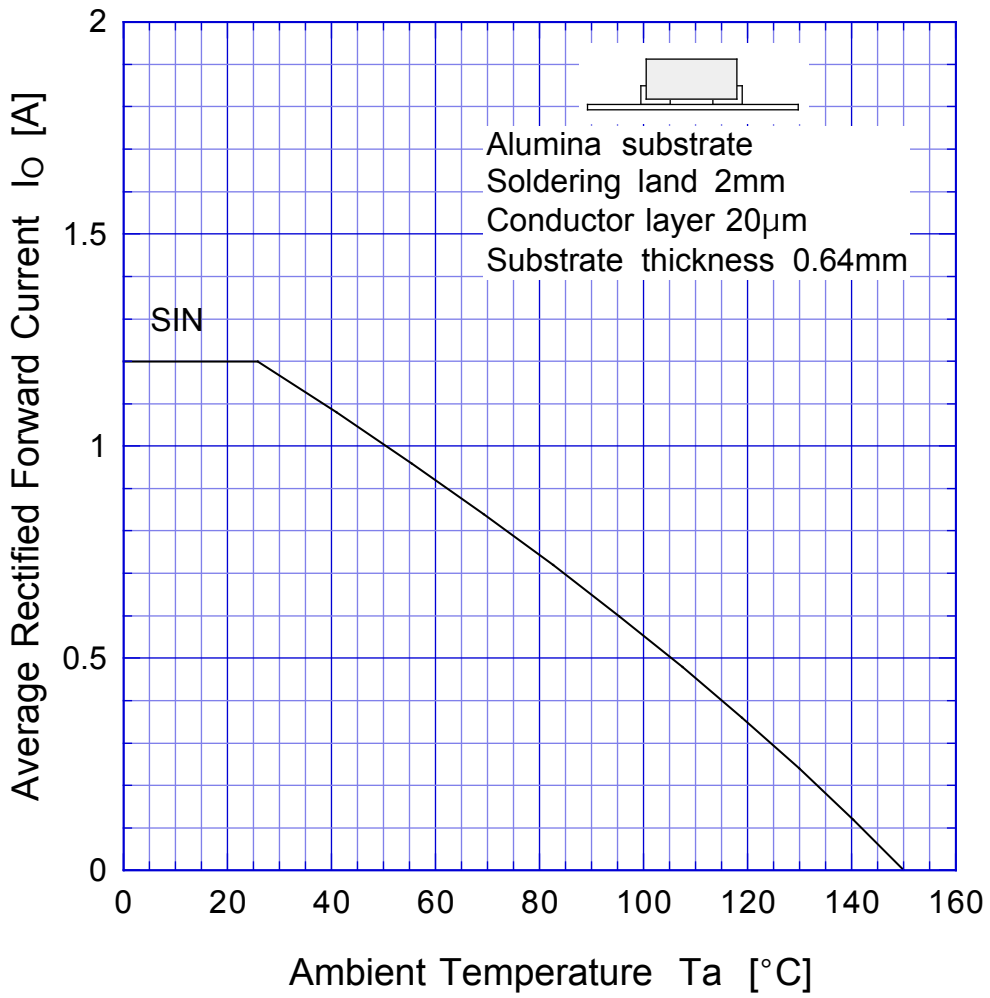
Forward Power Dissipation



$T_j = 150^\circ\text{C}$
Sine wave

D1F60A

Derating Curve

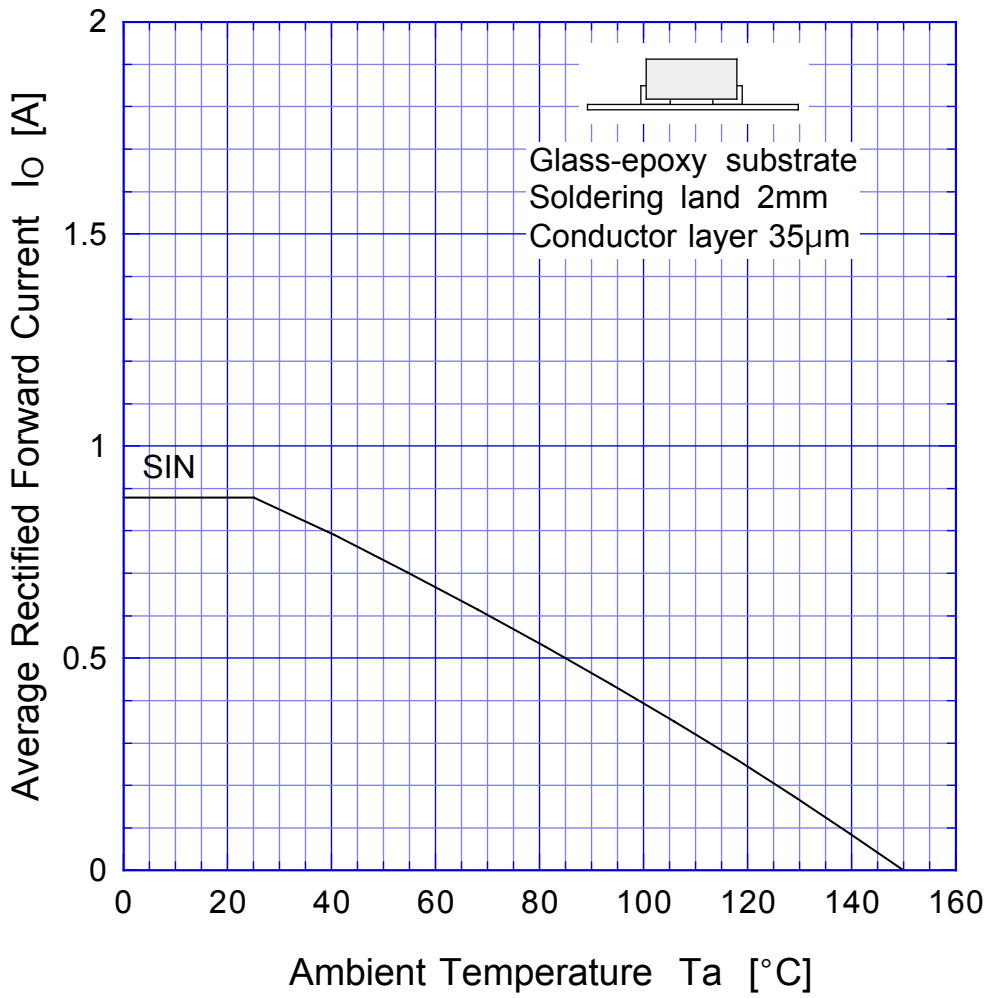


$$V_R = V_{RM}$$

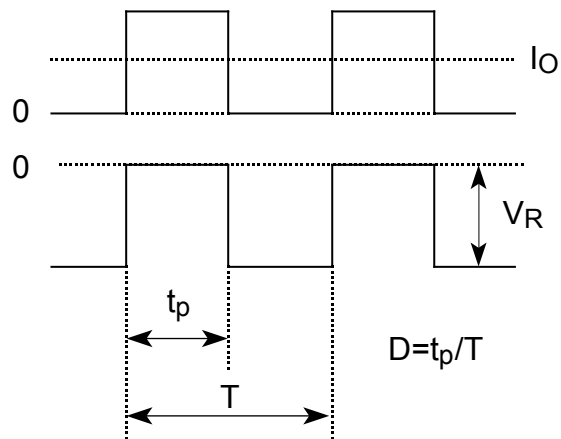


D1F60A

Derating Curve



$$V_R = V_{RM}$$



D1F60A

Peak Surge Forward Capability

