

- Frequency Range 10.0MHz to 100.0MHz
- 25.4 x 25.4 x 16.0mm 5 pin metal, solder-sealed package
- Supply Voltage 12.0 Volts
- AT-Cut Crystal
- Sine Wave Output
- EFC (Voltage control) as standard



DESCRIPTION

OC11E12A series oven-controlled crystal oscillators are close tolerance OCXOs with good phase noise performance.

SPECIFICATION

Crystal Cut:	AT-cut
Output Waveform:	Sine Wave
Supply Voltage:	+12.0 VDC \pm 0.2V
Frequency Range:	10.0MHz to 100.0MHz
Initial Calibration Tolerance:	\pm 0.5ppm max.(at V_{CON} +2.5V)
Frequency Stability	
over 0° to +60°C:	\pm 0.05ppm
over -20° to +70°C:	\pm 0.1ppm
over -40° to +85°C:	\pm 0.2ppm
vs. Voltage Change:	$<$ \pm 20ppb for \pm 5% change
vs. Ageing:	\pm 5.0ppb max per day \pm 0.5ppm per first year \pm 3.0ppm over 10 years
vs. Load Change:	$<$ \pm 20ppb for \pm 5% change

Warm-up Time: 3 minutes max. to within \pm 0.5ppm of nominal freq.

Voltage Control

Control Voltage Centre:	+2.5 Volts (V_{CON})
Freq. Deviation Range:	\pm 5.0ppm min., \pm 20ppm max. ref. to 25°C and O.T.R.
Control Voltage Range:	2.5V \pm 2.0Volts
Transfer Function:	Positive: Increasing control voltage increases output frequency
Input Impedance:	100k Ω minimum
EFC Linearity:	\pm 10% maximum

Power Dissipation: 1.0W max. steady state
3.0W max. at turn on

Output

Level:	+3dBm typ., +8dBm max into 50 Ω load
Harmonic:	-30dBc min.
Spurious:	-75 dBm min.

Reference Voltage: +4.0 \pm 0.3VDC or custom

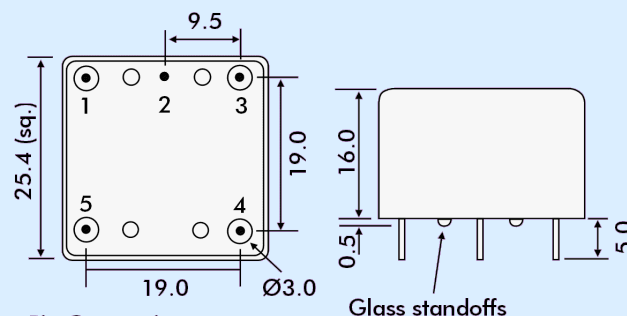
Environmental

Storage Temperature:	-55° to +125°C
Shock:	2000g, 0.3ms $\frac{1}{2}$ sine
Vibration:	10 ~2000Hz / 10g

PHASE NOISE (at 10MHz)

Offset	dBc/Hz
1Hz	-75
10Hz	-100
100Hz	-130
1kHz	-140
10kHz	-150

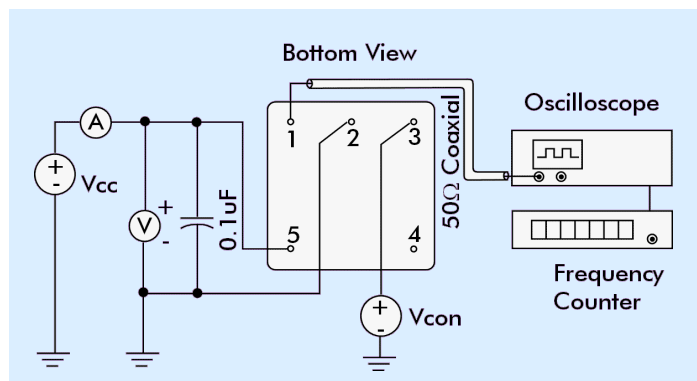
OUTLINE & DIMENSIONS



Pin Connections

- 1 RF output
- 2 Ground/case
- 3 Voltage control (EFC)
- 4 Reference Voltage Output
- 5 Supply Voltage

TEST CIRCUIT



PART NUMBER FORMAT

Example: **OC11GE5A-10.000-0.1/-20+70**

OCXO Package: OC11

RoHS Compliance

G: RoHS Compliant

Blank: Non-compliant

T: Output Squarewave

5: Supply Voltage 5.0Volts

A: AT-Cut Crystal

Nominal Frequency 10.0MHz

Stability in \pm ppm

Operating Temperature Range °C

Lowest Temperature/Highest Temperature