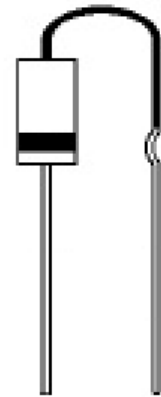


1.0A Standard Rectifier

Features

- Low Forward Voltage Drop
- High Current Capability
- High Surge Current Capability
- High Reliability
- High Temperature Soldering Guaranteed: 250°C/10 seconds
/.375" (9.5mm) lead length, 5lbs (2.3kg) tension
- Lead Forming for Avisert



AVISERT

Mechanical Data

Case:	Molded Plastic
Epoxy:	Meets UL 94V-0 flammability rating
Terminals:	Axial leads, solderable per MIL-STD-202, Method 208
Polarity:	Cathode indicated by color band
Weight:	0.012 Ounce, 0.34 gram

Maximum Ratings ($T_{Ambient}=25^{\circ}C$ unless noted otherwise)

Symbol	Description	RL107V33	Unit
VRRM	Maximum Repetitive Peak Reverse Voltage	1000	V
VRMS	Maximum RMS Voltage	700	V
VDC	Maximum DC Blocking Voltage	1000	V
IF(AV)	Maximum Average Forward Rectified Current @Ta=75° C	1.0	A
IFSM	Peak Forward Surge Current (Note1)	50	A
TJ	Operating Junction Temperature Range	-55 to +125	° C
TSTG	Storage Temperature Range	-55 to +150	° C

1.0A Standard Rectifier

RL107VXX

Electrical Characteristics *(T_{Ambient}=25°C unless noted otherwise)*

Symbol	Description	RL107V33	Unit
V_F	Maximum Forward Voltage @ I _F =1.0A	1.1	V
I_R	Maximum DC Reverse Current at Rated DC Blocking Voltage	T _A =25° C	5.0
		T _A =125° C	50
C_J	Typical Junction Capacitance (Note2)	15	pf
R_{θ-JA}	Maximum Thermal Resistance (Note3)	50	° C/W

- Note:**
1. 8.3ms single half sine-wave superimposed on rated load (JEDEC method)
 2. Measured at 1MHz and applied reverse voltage of 4.0Volts D.C.
 3. Thermal resistance from junction to ambient at .375" (9.5mm) lead length.

Typical Characteristics Curves

Fig.1- Forward Current Derating Curve

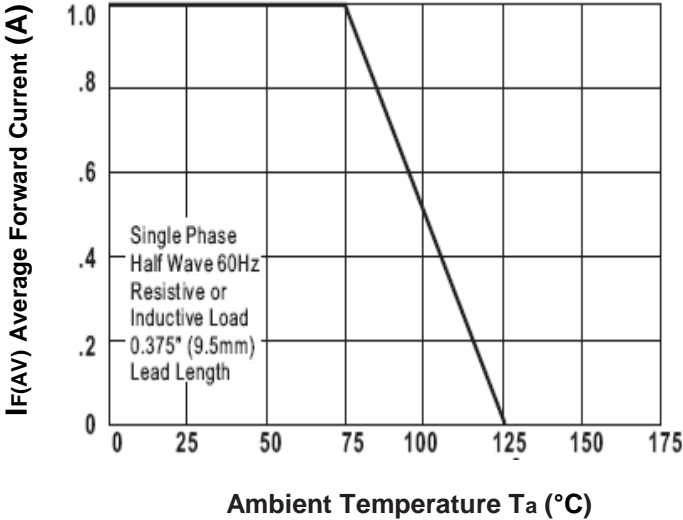
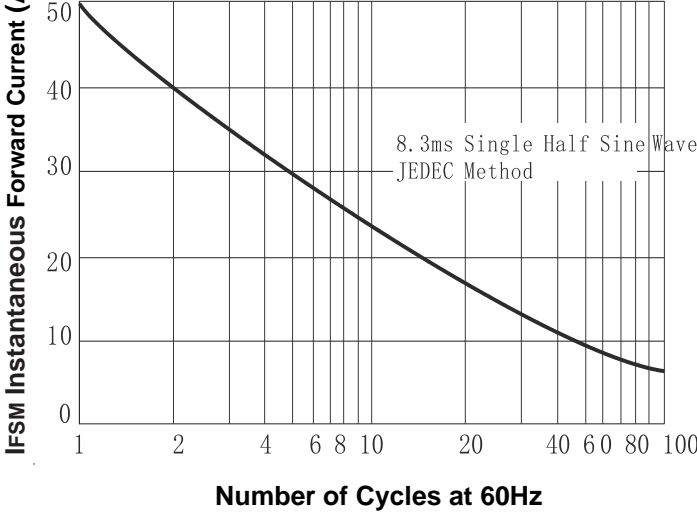


Fig.2-Max. Non-Repetitive Forward Surge Current



1.0A Standard Rectifier

RL107VXX

Fig.3-Typical Instantaneous Forward Characteristics

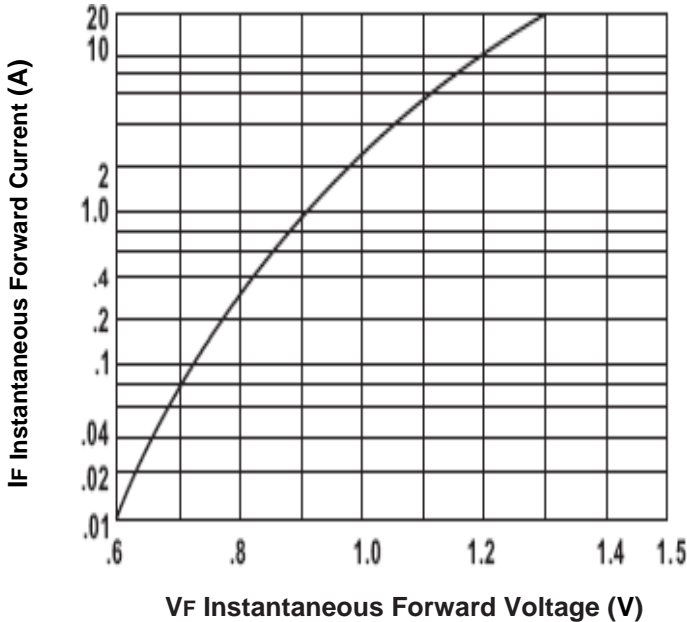


Fig.4- Typical Reverse Characteristics

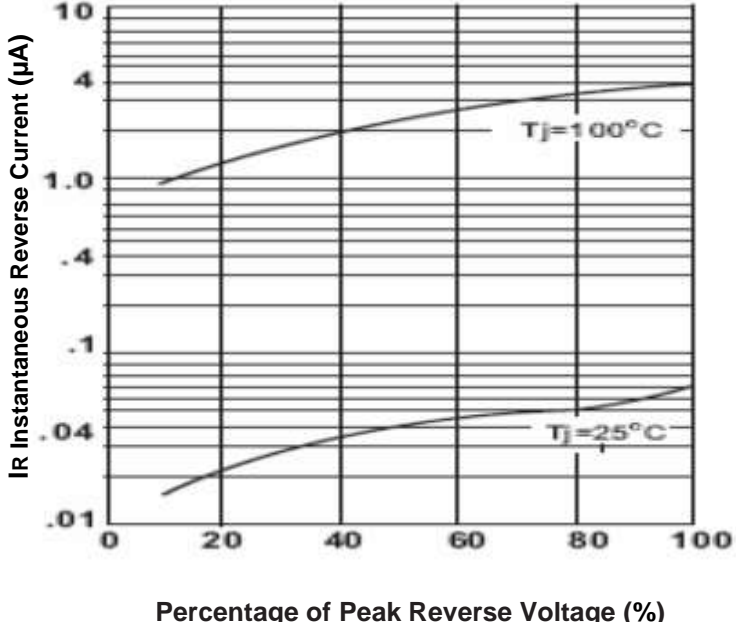
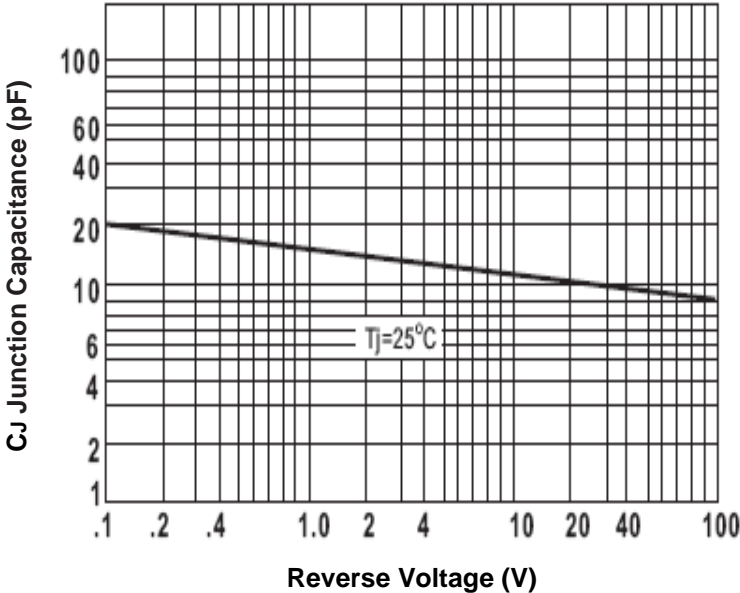
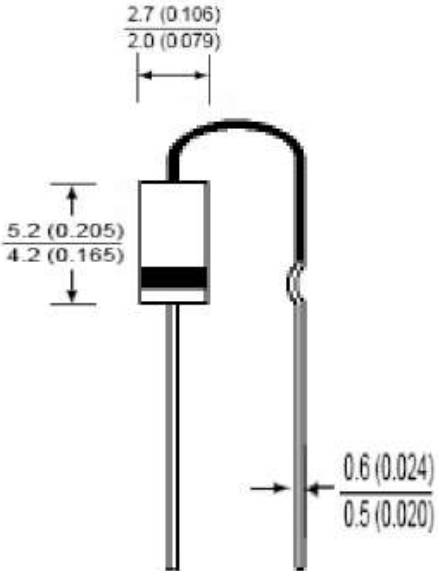


Fig.5-Typical junction capacitance

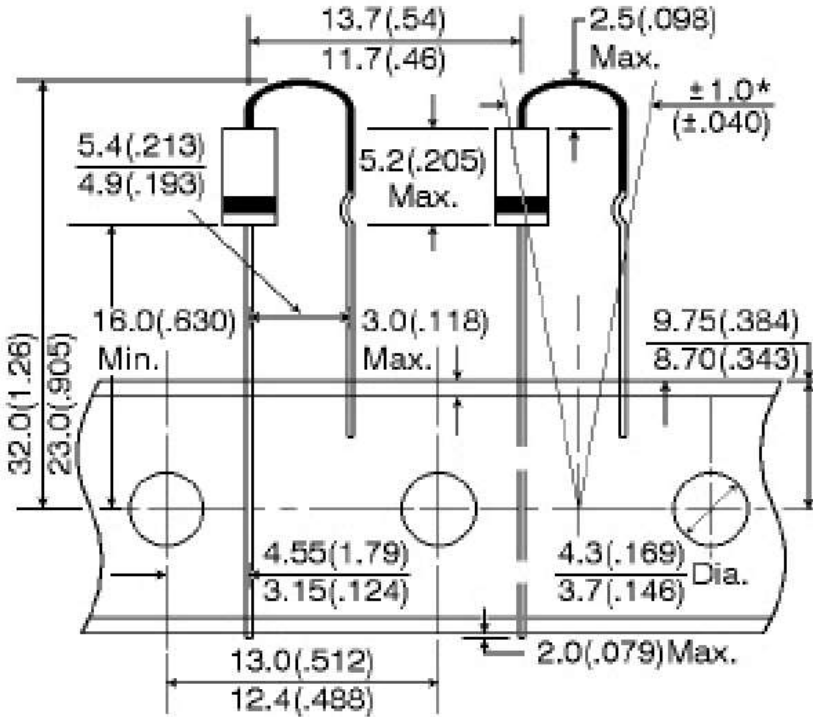


Dimensions in mm (inch)



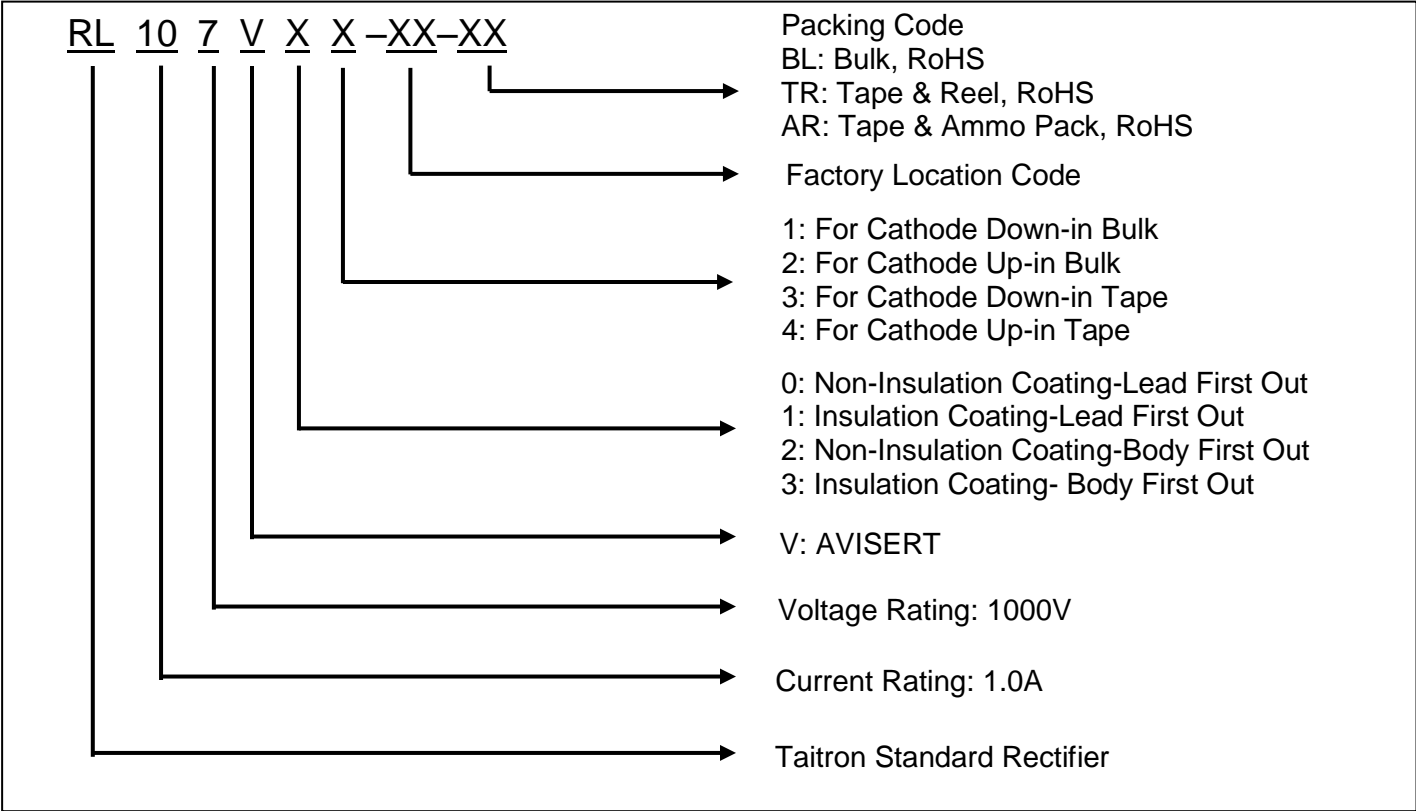
AVISERT

Packing Information: Dimensions in mm (inch)



User Direction Feed
→

How to Order



How to contact us

USA HEADQUARTERS

28040 WEST HARRISON PARKWAY, VALENCIA, CA 91355-4162

Tel: (800)-TAITRON (800)-824-8766 (661)-257-6060

Fax: (800)-TAITFAX (800)-824-8329 (661)-257-6415

Email: taitron@taitroncomponents.com

Http://www.taitroncomponents.com

TAITRON COMPONENTS INCORPORATED TAIWAN BRANCH

6F., NO.190, SEC. 2, ZHONGXING RD., XINDIAN DIST., NEW TAIPEI CITY 23146, TAIWAN R.O.C.

Tel: 886-2-2913-6238

Fax: 886-2-2913-6239

TAITRON COMPONENT TECHNOLOG SHANGHAI CORPORATION

SUITE 1503, METROBANK PLAZA, 1160 WEST YAN'AN ROAD, SHANGHAI, 200052, CHINA

Tel: +86-21-5424-9942

Fax: +86-21-2302-5027