

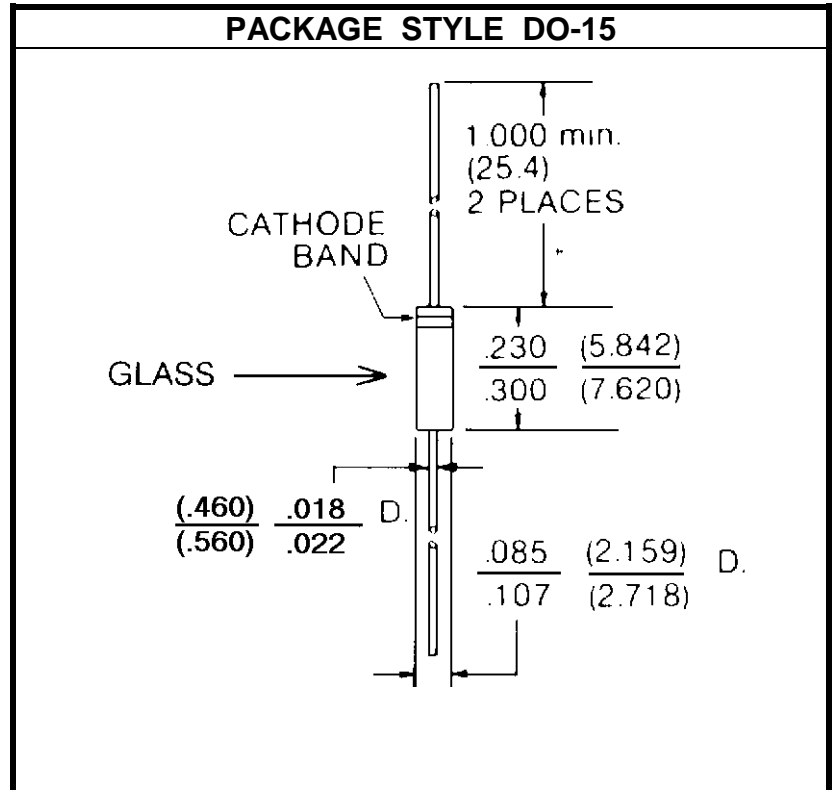
# SCHOTTKY BARRIER DIODE

**DESCRIPTION:**

The **ASI 5082-2301** is a Silicon Small Signal Schottky Diode for General Purpose UHF/VHF Detection and Pulse Applications. Color Band Indicates Cathode.

**MAXIMUM RATINGS**

$I_F$	35 mA
$V_R$	30 V
$P_{DISS}$	250 mW @ $T_A = 25\text{ }^\circ\text{C}$
$T_J$	-60 $^\circ\text{C}$ to +200 $^\circ\text{C}$
$T_{STG}$	-60 $^\circ\text{C}$ to +200 $^\circ\text{C}$
$\theta_{JC}$	700 $^\circ\text{C/W}$


**CHARACTERISTICS**  $T_C = 25\text{ }^\circ\text{C}$ 

SYMBOL	TEST CONDITIONS	MINIMUM	TYPICAL	MAXIMUM	UNITS
$V_{BR}$	$I_R = 10\text{ }\mu\text{A}$	30			V
$I_R$	$V_R = 15\text{ V}$			300	nA
$V_F$	$I_F = 1.0\text{ mA}$ $I_F = 50\text{ mA}$			0.4 1.0	V
$C_T$	$V_R = 0\text{ V}$			1.0	pF
$\tau$	$I_F = 20\text{ mA}$			100	pS