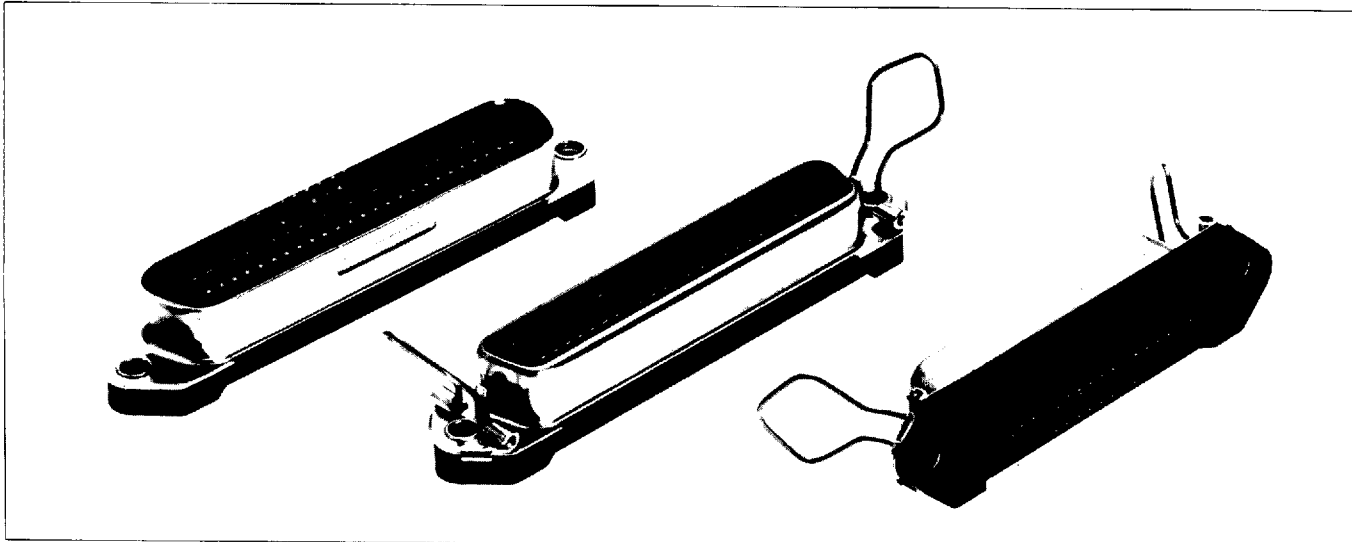


57GE Series



Straight solder dip connectors EMI/RFI shielding version



FEATURES

- Highly-reliable, scoop-proof cantilever contact design
- Intermateable with 57 family connectors

SPECIFICATIONS

Rated voltage500V AC (r.m.s.)
Rated current3A/contact
Dielectric withstanding voltage1200V AC (r.m.s.) 1 minute
Insulation resistance1000M Ω max. at 500V DC
Contact resistance35m Ω max.

MATERIAL/FINISH

ShellBrass/Nickel plate
InsulatorPBT resin (UL94V-0)/Blue
ContactCopper alloy/ Gold plate (contact point) Solder plate (tail)
Spring latchStainless steel

57GE Series

Ordering Information

Unit:mm(inch)

57GE - 40 36 0 - 7 5 1 (D20)

CONNECTOR STYLE

10 : Plug
40 : Receptacle,
with spring latch

NO. OF CONTACTS

14, 24, 36, 50

CONTACT PLATING

6 : $0.8\mu\text{m}$ ($30''\mu$) Gold over Nickel
Tail.....Solder plating
7 : $0.4\mu\text{m}$ ($15''\mu$) Gold over Nickel
Tail.....Solder plating

TAIL LENGTH

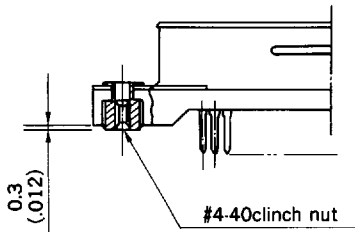
5 : 3.2mm (.126)

TAIL SPACING

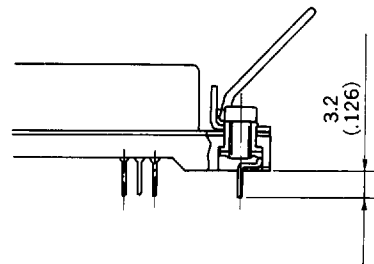
1 : 4.2mm (.165) (for receptacle)
2 : 3.9mm (.154) (for plug)

DEVIATION (see diagrams below)

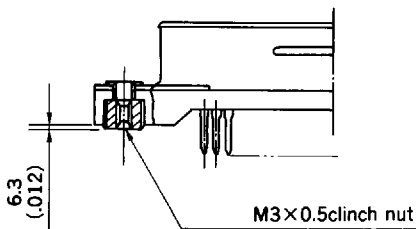
(D4) : with #4-40 clinch nut
(D8) : with M3×0.5 clinch nut
(D15) : with board lock
(D20) : with M3×0.5 clinch nut
(for 57GE-10)



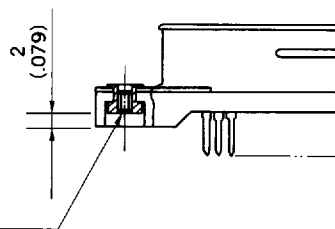
Deviation:(D4)



Deviation:(D15)



Deviation:(D8)



Deviation:(D20)

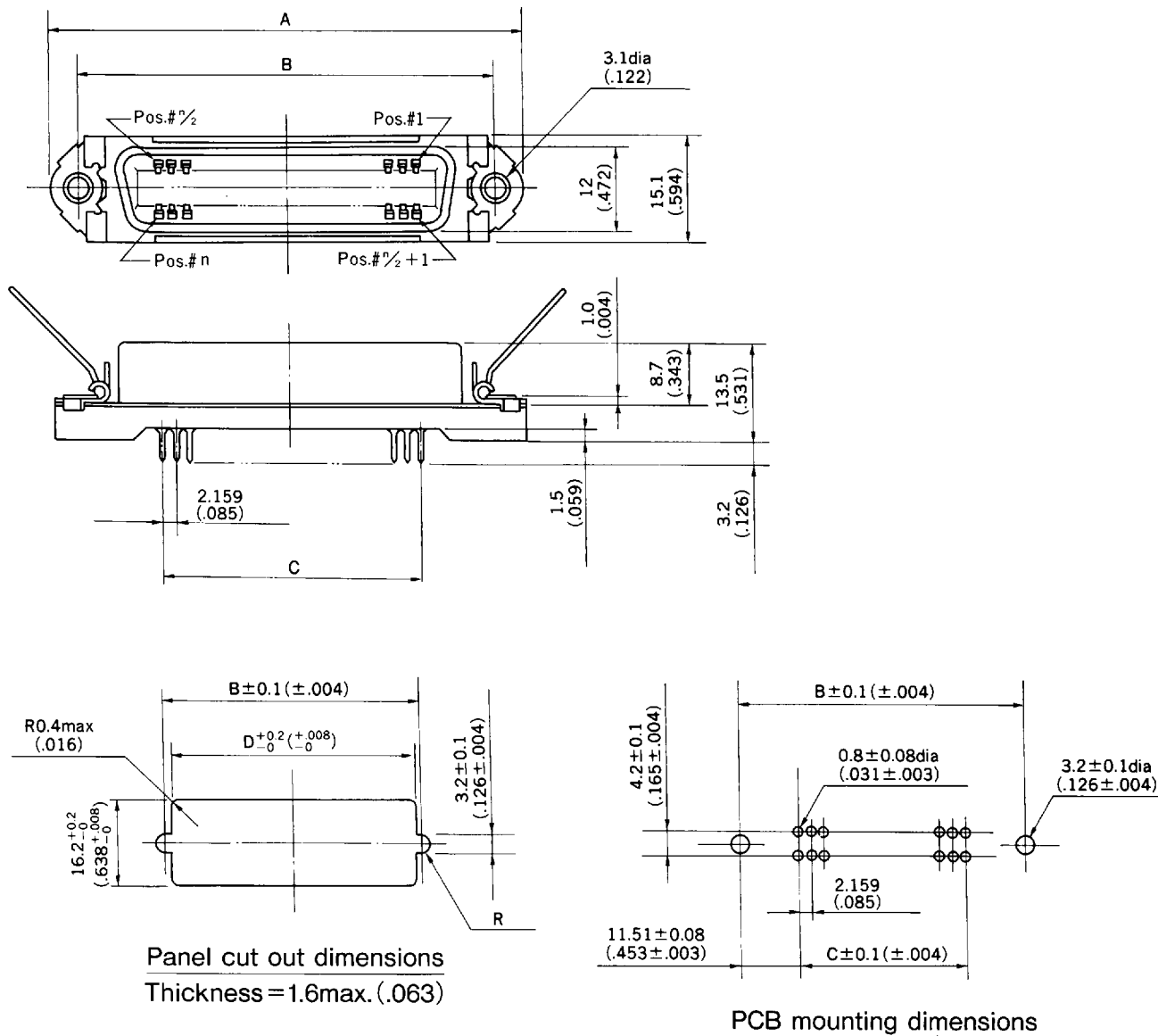
57GE Series



● Receptacles

P/N : 57GE-40xx0-x51

Unit:mm(inch)



Panel cut out dimensions
Thickness = 1.6max. (.063)

PCB mounting dimensions

NO. OF CONT'S	A	B	C	D
14	44.00 (1.732)	36.00 (1.417)	12.96 (.510)	35.3 (1.390)
24	54.78 (2.157)	46.78 (1.842)	23.76 (.935)	46.08 (1.814)
36	67.74 (2.667)	59.74 (2.352)	36.72 (1.446)	59.04 (2.324)
50	82.85 (3.262)	74.85 (2.947)	51.84 (2.041)	74.15 (2.919)

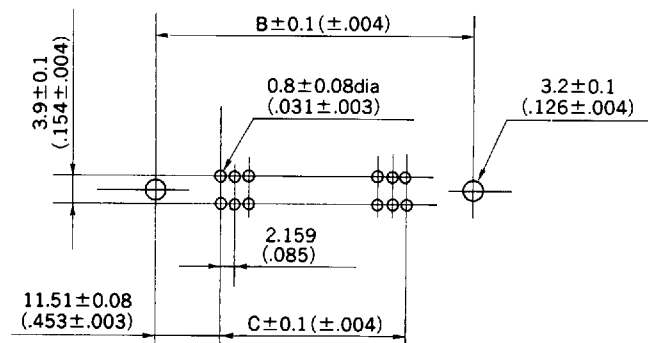
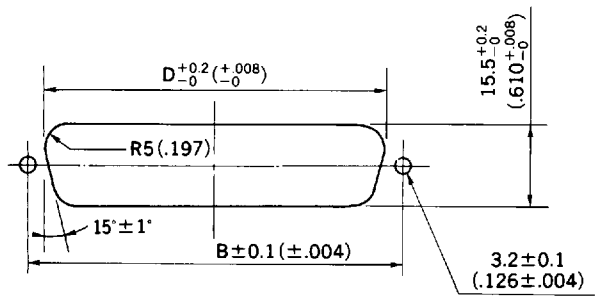
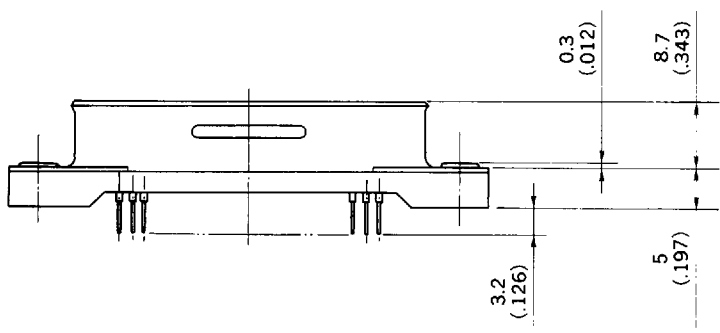
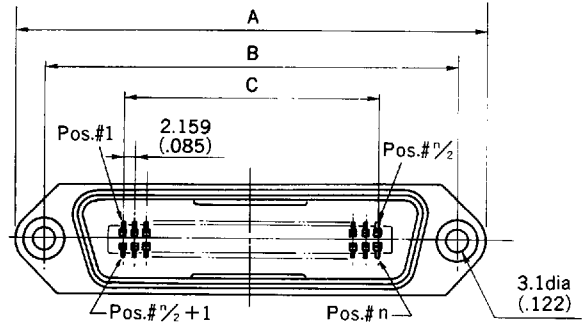
57GE Series



● Plug

Unit:mm(inch)

P/N : 57GE-10xx0-x52



Panel cut out dimensions
Thickness = 1.6max (.063)

PCB mounting dimensions

NO. OF CONT'S	A	B	C	D
14	44.0 (1.732)	36.0 (1.417)	12.96 (.510)	29.3 (1.154)
24	54.78 (2.157)	46.78 (1.842)	23.76 (.935)	40.1 (1.579)
36	67.74 (2.667)	59.74 (2.352)	36.72 (1.446)	53.0 (2.087)
50	82.85 (3.262)	74.85 (2.947)	51.84 (2.041)	68.2 (2.685)