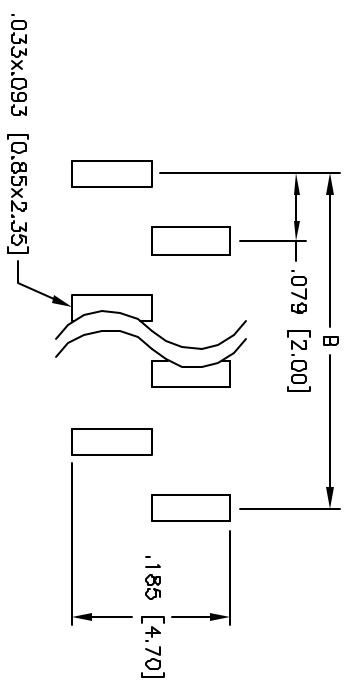
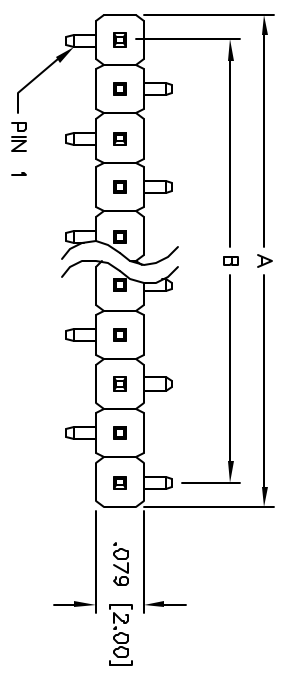
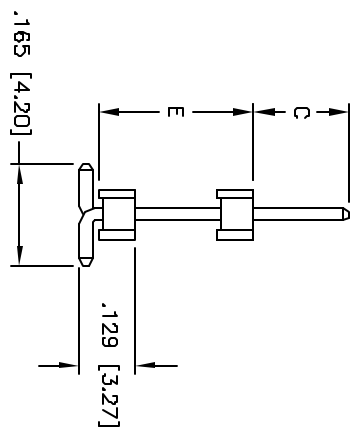
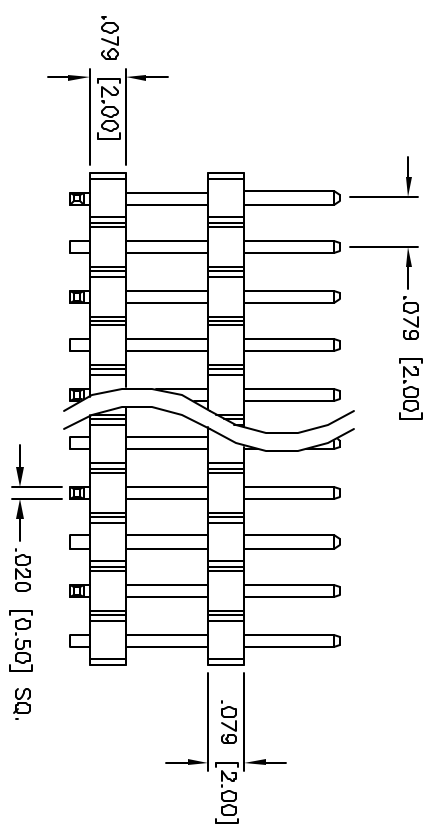


Rev	AWO #	Description	Date	Appr
-		RELEASED	4/1/05	

APPROVED: \_\_\_\_\_  
 DATE: \_\_\_\_\_ TITLE: \_\_\_\_\_



RECOMMENDED  
PCB LAYOUT



**SPECIFICATIONS:**

**Material:**

Insulator: Nylon 6T, rated UL 94V-0

Insulator color: Black

Contacts: Brass

**Plating:**

Gold flash over Nickel underplate overall

**Electrical:**

Operating voltage: 250 VAC max

Current rating: 1 Amp max

Contact resistance: 20 Mohms max

Insulation resistance: 5,000 Mohms min @ 500 VDC

Dielectric withstanding voltage: 1,000 VAC for 1 minute

**Temperature Rating:**

Operating temperature: -55°C to +105°C

**Environmental:**

Lead free, RoHS compliant

Recommended soldering temp: 260°C for 5 seconds

Positions: 1 thru 40  
 A = .079 [2.00] x No. of Positions  
 B = .079 [2.00] x No. of Spaces

UNLESS OTHERWISE SPECIFIED  
 ALL DIMENSIONS ARE NICHES [MM]  
 TOLERANCES: EXCEPT AS NOTED

INCHES	HOLES
X ± .10	ØX ± .10
XX ± .020	ØXX ± .019
XXX ± .015	ØXXX ± .010

APPROVALS

DRAWN	SS	DATE
CHECKED		4/1/05
APPROVED		

**ADAM TECH**

909 Rahway Avenue, Union, NJ 07083  
 Phone: 908-687-5000 Fax: 908-687-5710

TITLE  
**.079 [2.00] SINGLE ROW PIN HEADER  
 DUAL INSULATOR, SURFACE MOUNT, TYPE B**

SIZE	PART NO.	SCALE	SHEET	REV.
X	D2PH-1-XX-U-C/SMT/E-B	NIB	1 OF 1	-

