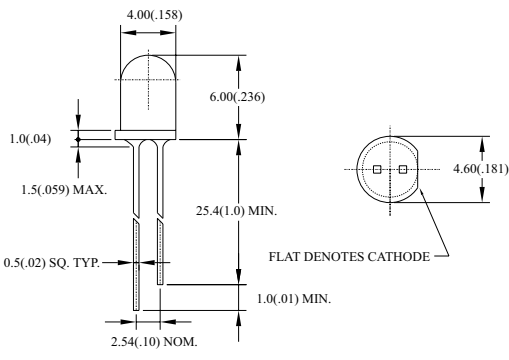
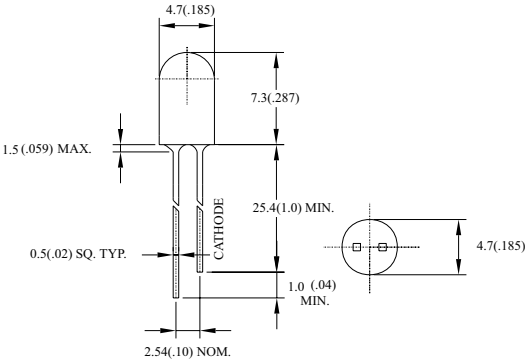
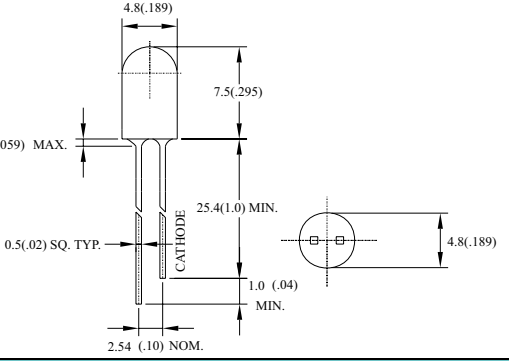
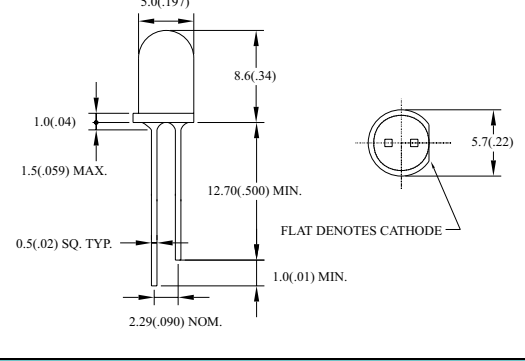
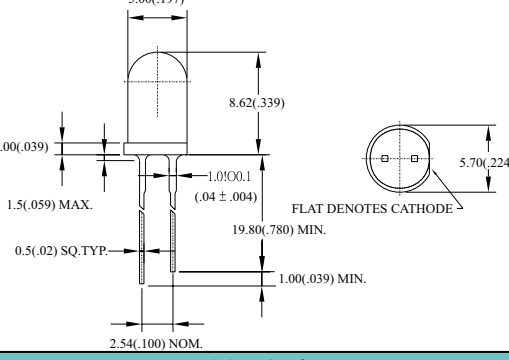
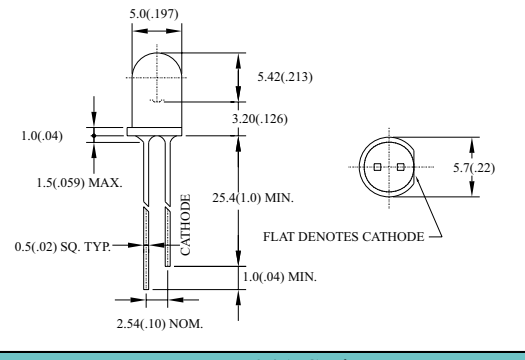
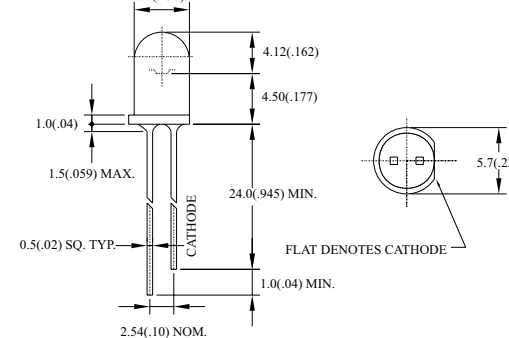
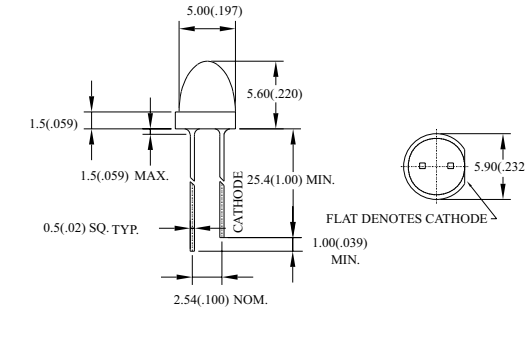




STANDARD LED LAMPS(ROUND TYPES)

| Package | Part No. | Chip | | Lens Appearance | Absolute Maximum Ratings | | | | Electro-optical Data(At 20mA) | | | Viewing Angle 2θ 1/2 (deg) | Drawing No. |
|---|-------------------|-------------------------|---------------------------|-----------------|--------------------------|---------|---------|-----------|-------------------------------|-------|----------|----------------------------|-------------|
| | | Material/ Emitted Color | Peak Wave Length λ p (nm) | | Δ λ (nm) | Pd (mw) | If (mA) | Peak (mA) | Vf (V) | | Iv (mcd) | | |
| | | | | | | | | | Typ | Max | Typ. | | |
| Standard 1.0" Lead 4.0 φ | BL-B1132 | GaAsP/GaAs/ Red | 655 | Red Diffused | 40 | 80 | 40 | 200 | 1.7 | 2.0 | 9.0 | 55 | L-033 |
| | BL-B5132 | GaP/GaP/ Bright Red | 700 | | 90 | 40 | 15 | 50 | 2.2 | 2.6 | 12.0 | | |
| | BL-B4532 | GaAsP/GaP/ Hi-Eff Red | 635 | 45 | 80 | 30 | 150 | 2.0 | 2.6 | 70.0 | | | |
| | BL-B2132 | GaP/GaP/ Green | 568 | Green Diffused | 30 | 80 | 30 | 150 | 2.2 | 2.6 | 70.0 | | |
| | BL-B3132 | GaAsP/GaP/ Yellow | 585 | Yellow Diffused | 35 | 80 | 30 | 150 | 2.1 | 2.6 | 60.0 | | |
| | BL-B4132 | GaAsP/GaP/ Orange | 635 | Orange Diffused | 45 | 80 | 30 | 150 | 2.0 | 2.6 | 70.0 | | |
| Medium Profile Flangeless 1.0" Lead 4.7 φ | BL-B4632 | GaAsP/GaP/ Hi-Eff Red | 635 | Red Trans | 45 | 80 | 30 | 150 | 2.0 | 2.6 | 120.0 | 35 | L-034 |
| | BL-B4533 | GaAsP/GaP/ Hi-Eff Red | 635 | Red Diffused | 45 | 80 | 30 | 150 | 2.0 | 2.6 | 80.0 | 40 | |
| | BL-B2133 | GaP/GaP/ Green | 568 | Green Diffused | 30 | 80 | 30 | 150 | 2.2 | 2.6 | 80.0 | | |
| | BL-B3133 | GaAsP/GaP/ Yellow | 585 | Yellow Diffused | 35 | 80 | 30 | 150 | 2.1 | 2.6 | 70.0 | | |
| | BL-B4133 | GaAsP/GaP/ Orange | 635 | Orange Diffused | 45 | 80 | 30 | 150 | 2.0 | 2.6 | 80.0 | | |
| | BL-B3333 | GaAsP/GaP/ Yellow | 585 | Water Clear | 35 | 80 | 30 | 150 | 2.1 | 2.6 | 100.0 | 30 | |
| BL-B2333 | GaP/GaP/ Green | 568 | 30 | | 80 | 30 | 150 | 2.2 | 2.6 | 130.0 | | | |
| BL-B4333 | GaAsP/GaP/ Orange | 635 | 45 | | 80 | 30 | 150 | 2.0 | 2.6 | 130.0 | | | |
| Medium Profile Flangeless 1.0" Lead 4.8 φ | BL-B1133N | GaAsP/GaAs/ Red | 655 | Red Diffused | 40 | 80 | 40 | 200 | 1.7 | 2.0 | 15.0 | 40 | L-035 |
| | BL-B5133N | GaP/GaP/ Bright Red | 700 | | 90 | 40 | 15 | 50 | 2.2 | 2.6 | 25.0 | | |
| | BL-B4533N | GaAsP/GaP/ Hi-Eff Red | 635 | 45 | 80 | 30 | 150 | 2.0 | 2.6 | 80.0 | | | |
| | BL-B2133N | GaP/GaP/ Green | 568 | Green Diffused | 30 | 80 | 30 | 150 | 2.2 | 2.6 | 80.0 | | |
| | BL-B3133N | GaAsP/GaP/ Yellow | 585 | Yellow Diffused | 35 | 80 | 30 | 150 | 2.1 | 2.6 | 70.0 | | |
| | BL-B2433N | GaP/GaP/ Green | 568 | Green Trans | 30 | 80 | 30 | 150 | 2.2 | 2.6 | 130.0 | | |
| T-13/4 Standard 0.5"Lead 5.0 φ | BL-B3433N | GaAsP/GaP/ Yellow | 585 | Yellow Trans | 35 | 80 | 30 | 150 | 2.1 | 2.6 | 100.0 | 30 | L-036 |
| | BL-B4524 | GaAsP/GaP/ Hi-Eff Red | 635 | Red Diffused | 45 | 80 | 30 | 150 | 2.0 | 2.6 | 25.0 | 40 | |
| | BL-B2124 | GaP/GaP/ Green | 568 | Green Diffused | 30 | 80 | 30 | 150 | 2.2 | 2.6 | 25.0 | | |
| | BL-B3124 | GaAsP/GaP/ Yellow | 585 | Yellow Diffused | 35 | 80 | 30 | 150 | 2.1 | 2.6 | 20.0 | | |
| | BL-B4124 | GaAsP/GaP/ Orange | 635 | Orange Diffused | 45 | 80 | 30 | 150 | 2.0 | 2.6 | 25.0 | | |
| | BL-B2424 | GaP/GaP/ Green | 568 | Green Trans | 30 | 80 | 30 | 150 | 2.2 | 2.6 | 65.0 | | |
| T-13/4 Standard 0.8"Lead 5.0 φ | BL-B3424 | GaAsP/GaP/ Yellow | 585 | Yellow Trans | 35 | 80 | 30 | 150 | 2.1 | 2.6 | 50.0 | 30 | L-037 |
| | BL-B2324 | GaP/GaP / Green | 568 | Water Clear | 30 | 80 | 30 | 150 | 2.2 | 2.6 | 65.0 | | |
| | BL-B1114 | GaAsP/GaAs/ Red | 655 | Red Diffused | 40 | 80 | 40 | 200 | 1.7 | 2.0 | 4.0 | | |
| | BL-B5114 | GaP/GaP/ Bright Red | 700 | | 90 | 40 | 15 | 50 | 2.2 | 2.6 | 6.0 | | |
| | BL-B4114 | GaAsP/GaP/ Orange | 635 | 45 | 80 | 30 | 150 | 2.0 | 2.6 | 50.0 | | | |
| | BL-B2114 | GaP/GaP/ Green | 568 | Green Diffused | 30 | 80 | 30 | 150 | 2.2 | 2.6 | 50.0 | | |
| BL-B3114 | GaAsP/GaP/ Yellow | 585 | Yellow Diffused | 35 | 80 | 30 | 150 | 2.1 | 2.6 | 40.0 | | | |
| T-13/4 Standard 1.0"Lead 5.0 φ | BL-B2414 | GaP/GaP/ Green | 568 | Green Trans | 30 | 80 | 30 | 150 | 2.0 | 2.6 | 55.0 | 35 | L-038 |
| | BL-B4614 | GaAsP/GaP/ Hi-Eff Red | 635 | Red Trans | 45 | 80 | 30 | 150 | 2.0 | 2.6 | 55.0 | | |
| | BL-B1134 | GaAsP/GaAs/ Red | 655 | Red Diffused | 40 | 80 | 40 | 200 | 1.7 | 2.0 | 8.0 | | |
| | BL-B5134 | GaP/GaP/ Bright Red | 700 | | 90 | 40 | 15 | 50 | 2.2 | 2.6 | 12.0 | | |
| | BL-B4534 | GaAsP/GaP/ Hi-Eff Red | 635 | 45 | 80 | 30 | 150 | 2.0 | 2.6 | 80.0 | | | |
| | BL-B2134 | GaP/GaP/ Green | 568 | Green Diffused | 30 | 80 | 30 | 150 | 2.2 | 2.6 | 80.0 | | |
| BL-B3134 | GaAsP/GaP/ Yellow | 585 | Yellow Diffused | 35 | 80 | 30 | 150 | 2.1 | 2.6 | 70.0 | | | |
| T-13/4 Wide Viewing Angle 1.0"Lead 5.0 φ | BL-B2434 | GaP/GaP/ Green | 568 | Green Trans | 30 | 80 | 30 | 150 | 2.0 | 2.6 | 200 | 12 | L-039 |
| | BL-B4634 | GaAsP/GaP/ Yellow | 635 | Red Trans | 45 | 80 | 30 | 150 | 2.0 | 2.6 | 200 | | |
| | BL-B1134-1 | GaAsP/GaAs/ Red | 655 | Red Diffused | 40 | 80 | 40 | 200 | 1.7 | 2.0 | 5.0 | | |
| | BL-B5134-1 | GaP/GaP/ Bright Red | 700 | | 90 | 40 | 15 | 50 | 2.2 | 2.6 | 8.0 | | |
| | BL-B4534-1 | GaAsP/GaP/ Hi-Eff Red | 635 | 45 | 80 | 30 | 150 | 2.0 | 2.6 | 65.0 | | | |
| | BL-B2134-1 | GaP/GaP/ Green | 568 | Green Diffused | 30 | 80 | 30 | 150 | 2.2 | 2.6 | 65.0 | | |
| BL-B3134-1 | GaAsP/GaP/ Yellow | 585 | Yellow Diffused | 35 | 80 | 30 | 150 | 2.1 | 2.6 | 55.0 | | | |
| T-13/4 Low Profile 1.0"Lead 5.0 φ | BL-B2434-1 | GaP/GaP/ Green | 568 | Green Trans | 30 | 80 | 30 | 150 | 2.0 | 2.6 | 160 | 20 | L-040 |
| | BL-B4334A | GaAsP/GaP/ Orange | 635 | Water Clear | 45 | 80 | 30 | 150 | 2.0 | 2.6 | 60.0 | 30 | |
| | BL-B2334A | GaP/GaP/ Green | 568 | | 30 | 80 | 30 | 150 | 2.0 | 2.6 | 60.0 | | |
| | BL-B3334A | GaAsP/GaP/ Yellow | 585 | | 35 | 80 | 30 | 150 | 2.1 | 2.6 | 50.0 | | |
| | BL-B4434A | GaAsP/GaP/ Orange | 635 | Orange Trans | 45 | 80 | 30 | 150 | 2.0 | 2.6 | 60.0 | | |
| BL-B2434A | GaP/GaP/ Green | 568 | Green Trans | 30 | 80 | 30 | 150 | 2.0 | 2.6 | 60.0 | | | |

Remark : 1.Hi-Eff Red / High-Efficiency Red.
 2. Trans / Transparent.
 3. 2 θ 1/2 The off-axis angle at which the luminous intensity is half the axial luminous intensity.

| L-033 BL-Bxx32 Series | L-034 BL-Bxx33 Series |
|---|--|
|  <p>4.00(158) 6.00(236) 1.0(.04) 1.5(.059) MAX. 0.5(.02) SQ. TYP. 25.4(1.0) MIN. 1.0(.01) MIN. 2.54(.10) NOM. 4.60(.181) FLAT DENOTES CATHODE</p> |  <p>4.7(.185) 7.3(.287) 1.5(.059) MAX. 0.5(.02) SQ. TYP. 25.4(1.0) MIN. 1.0(.04) MIN. 2.54(.10) NOM. 4.7(.185) CATHODE</p> |
| L-035 BL-Bxx33N Series | L-036 BL-Bxx24 Series |
|  <p>4.8(.189) 7.5(.295) 1.5(.059) MAX. 0.5(.02) SQ. TYP. 25.4(1.0) MIN. 1.0(.04) MIN. 2.54(.10) NOM. 4.8(.189) CATHODE</p> |  <p>5.0(.197) 8.6(.34) 1.0(.04) 1.5(.059) MAX. 0.5(.02) SQ. TYP. 12.70(.500) MIN. 1.0(.01) MIN. 2.29(.090) NOM. 5.7(.22) FLAT DENOTES CATHODE</p> |
| L-037 BL-Bxx14 Series | L-038 BL-Bxx34 Series |
|  <p>5.00(.197) 8.62(.339) 1.00(.039) 1.5(.059) MAX. 0.5(.02) SQ. TYP. 19.80(.780) MIN. 1.00(.039) MIN. 2.54(.100) NOM. 5.70(.224) FLAT DENOTES CATHODE</p> |  <p>5.0(.197) 5.42(.213) 1.0(.04) 1.5(.059) MAX. 0.5(.02) SQ. TYP. 25.4(1.0) MIN. 1.0(.04) MIN. 2.54(.10) NOM. 5.7(.22) FLAT DENOTES CATHODE</p> |
| L-039 BL-Bxx34-1 Series | L-040 BL-Bxx34A Series |
|  <p>5.0(.197) 4.12(.162) 1.0(.04) 1.5(.059) MAX. 0.5(.02) SQ. TYP. 24.0(.945) MIN. 1.0(.04) MIN. 2.54(.10) NOM. 5.7(.22) FLAT DENOTES CATHODE</p> |  <p>5.00(.197) 5.60(.220) 1.5(.059) MAX. 0.5(.02) SQ. TYP. 25.4(1.00) MIN. 1.00(.039) MIN. 2.54(.100) NOM. 5.90(.232) FLAT DENOTES CATHODE</p> |

Notes : 1.All Dimensions are in millimeters (inches).
2.Tolerance is $\pm 0.25\text{mm}$ (.010").