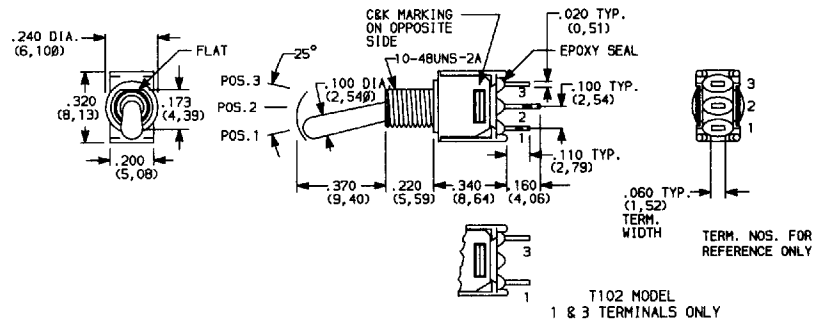
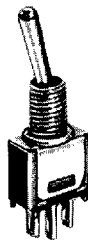
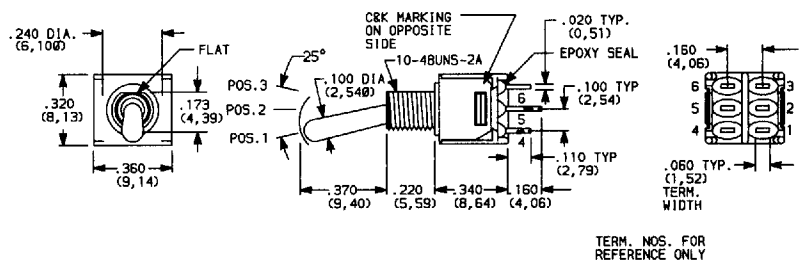


SWITCHES WITH STANDARD OPTIONS



SPST and SPDT

Part No. Shown: T101SHZQE



DPDT

Part No. Shown: T201SHZQE

SWITCH FUNCTION

NO. POLES	MODEL NO.	SWITCH FUNCTION			CONNECTED TERMINALS			SCHEMATIC
		POS. 1	POS. 2	POS. 3	POS. 1	POS. 2	POS. 3	
SP	T101	ON	NONE	ON				
	T103	ON	OFF	ON	2-3	OPEN	2-1	
	T105	MOM.	OFF	MOM.				
	T107	ON	OFF	MOM.				
	T108	ON	NONE	MOM.				
	T102	OFF	NONE	ON	OPEN	N/A	3-1	
DP	T201	ON	NONE	ON	2-3,5-6	OPEN	2-1,5-4	
	T203	ON	OFF	ON				
	T205	MOM.	OFF	MOM.				
	T207	ON	OFF	MOM.				
	T208	ON	NONE	MOM.				
	T211**	ON	ON	ON				

MOM. = MOMENTARY

* All models with all options when ordered with G, L, M or Q contact material. See AGENCY APPROVALS, page VIII.


** Wiring for 3-way switch, see page X.

CONTACT MATERIAL

OPTION CODE	CONTACT MATERIAL	TERMINAL PLATING	RATINGS	
B	GOLD ¹	GOLD ¹	LOW LEVEL / DRY CIRCUIT	0.4 VA MAX. @ 20 V AC OR DC MAX.
K		TIN-LEAD ⁶		
Q	SILVER ^{4,5}	SILVER ⁵	POWER	TX01 MODELS: 3 AMPS @ 120 V AC OR 28 V DC. ALL OTHER MODELS: 2 AMPS @ 120 V AC OR 28 V DC.
M		TIN-LEAD ⁶		
G	GOLD OVER SILVER ^{2,3}	GOLD ³	LOW LEVEL / DRY CIRCUIT OR POWER	TX01 MODELS: 0.4 VA MAX @ 20 V AC OR DC MAX. OR 3 AMPS @ 120 V AC OR 28 V DC. ALL OTHER MODELS: 0.4 VA MAX @ 20 V AC OR DC MAX. OR 2 AMPS @ 120 V AC OR 28 V DC.
L		TIN-LEAD ⁶		

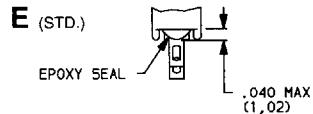
CONTACT MATERIAL / APPLICATION RECOMMENDATIONS — SEE CHART, PAGE X.

- ¹ CONTACTS & TERMINALS: Copper alloy, with gold plate over nickel plate.
- ² END CONTACTS: Coin silver, with gold plate over nickel plate.
- ³ CENTER CONTACTS & ALL TERMINALS: Copper alloy, with gold plate over nickel plate.
- ⁴ END CONTACTS: Coin silver, silver plated.
- ⁵ CENTER CONTACT & ALL TERMINALS: Copper alloy, silver plated.
- ⁶ TERMINALS: Copper alloy, with tin-lead alloy over nickel plate.

All models  with all options when ordered with G, L, M or Q contact material. See pages B-13 and VIII.


B contact material standard with A, AV, V3, W terminations.
Q contact material standard with Z, C terminations.

SEAL



HOW TO ORDER

All available T SERIES TINY TOGGLE SWITCH options are listed on page B-12, and are described on pages B-13 thru B-17. Switches with standard options are shown on page B-13. When selecting options and building a part number, some ordering format boxes may not be filled. Dashes, hyphens or spaces in the part number are not significant, and are shown for clarity only.

All models have epoxy terminal seal and are compatible with 'bottom-wash' PC board cleaning methods.  models available, see page B-13. Hardware: one mounting nut, locking ring and lockwasher supplied standard with 10-48 threaded bushings (two nuts with 1/4-40 bushings). Optional mounting nut and locking ring styles and finishes available. Hardware and accessories are available separately, see catalog section H.

SPECIFICATIONS

CONTACT RATING: TX01 MODELS: 3 AMPS @ 120 V AC or 28 V DC. ALL OTHER MODELS: 2 AMPS @ 120 V AC or 28 V DC (Q contact material).
ELECTRICAL LIFE: TX01 models: 60,000 make-and-break cycles at full load. ALL OTHER MODELS: 30,000 cycles.
CONTACT RESISTANCE: Below 20 milliohms typ. initial @ 2-4 V DC, 100 mA, for both silver and gold plated contacts.
INSULATION RESISTANCE: 10⁹ ohms min.
DIELECTRIC STRENGTH: 1000 V RMS min. @ sea level.
OPERATING TEMPERATURE: -30°C to 85°C.
SOLDERABILITY: Per MIL-STD-202F method 208D, or EIA RS-186E method 9 (1 hour steam aging).

MATERIALS

CASE: Glass filled nylon 6/6, flame retardant, heat stabilized or diallyl phthalate (DAP), (UL 94V-0).
ACTUATOR: Brass, chrome plated.
BUSHING: Brass, nickel plated.
HOUSING: Stainless steel.
SWITCH SUPPORT: Brass, tin plated.
END CONTACTS: Coin silver, silver plated (Q contact material).
CENTER CONTACT & ALL TERMINALS: Copper alloy, silver plated (Q contact material).
TERMINAL SEAL: Epoxy.
HARDWARE: Nut & Locking ring — Brass, nickel plated.
Lockwasher — Steel, nickel plated.

NOTE: Specifications and materials listed above are general specifications. Specifications available for specific and custom switches, consult factory.