

**SPECIFICATIONS**

**Mechanical**

**Plug Mating Force:** 4.50kgf (9.92Lb) max  
**Plug Unmating Force:** 1.00~4.00kgf (2.21~8.82Lb)  
**Durability:** 10000 Cycles

**Electrical**

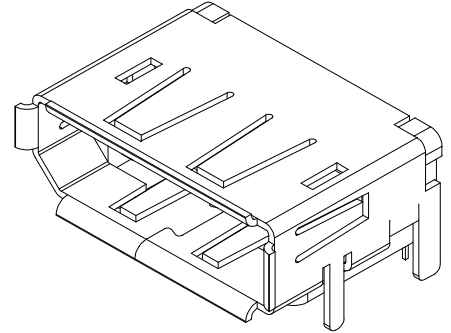
**Current Rating:** 0.50A min  
**Contact Resistance:** 30mΩ max. (Initial)  
 60mΩ max. (After life test)  
**Dielectric Withstanding Voltage:** 500V AC RMS  
**Insulation Resistance:** Unmated plug: 100MΩ min at 500V DC  
 Mated plug: 10MΩ min at 500V DC

**Physical**

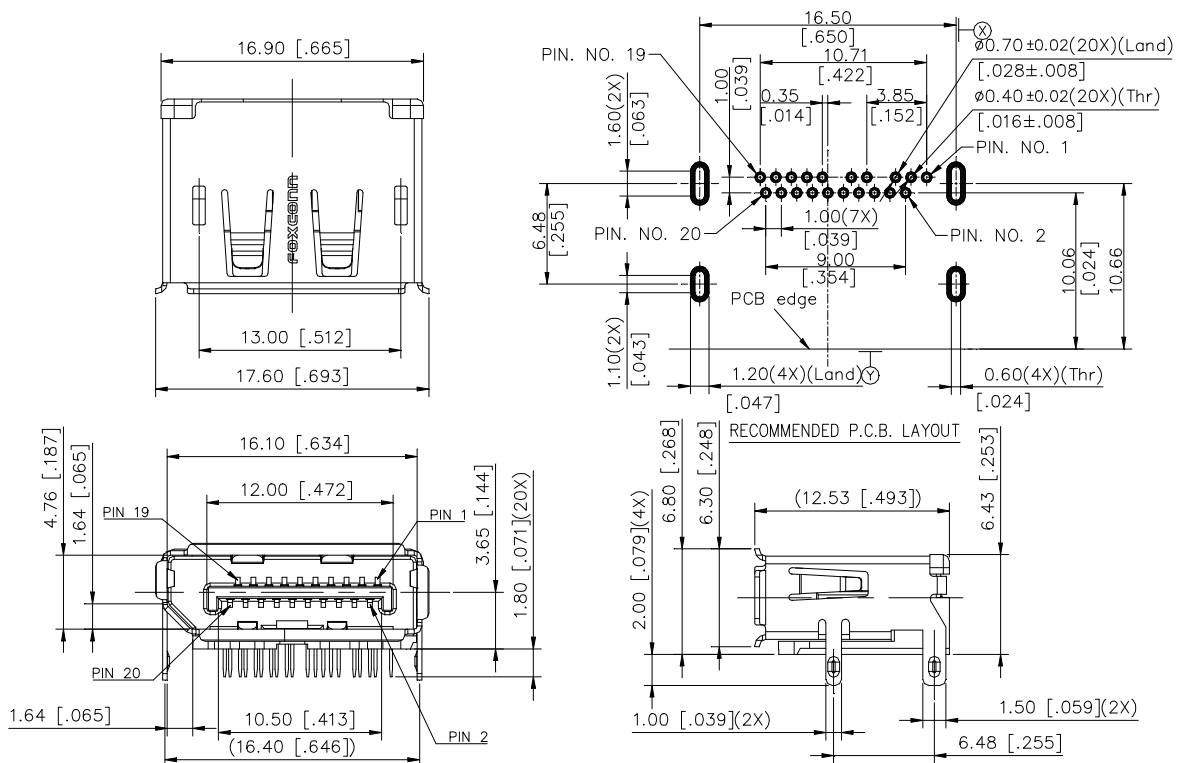
**Housing:** Thermoplastic, UL 94V-0 rated  
**Contact:** Copper alloy  
**Plating:** See "ORDERING INFORMATION"  
**Operating Temperature:** -40°C to +85°C

**Displayport Connector**

**Standard DisplayPort, R/A,  
 T/H Type, 20 Pos**



**DRAWING**



**ORDERING INFORMATION**

PRODUCT NO.: 3VD1120\*-D7AC-4H

