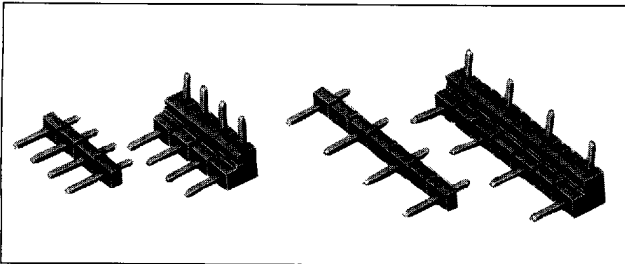


BUCHANAN® electronic connectors

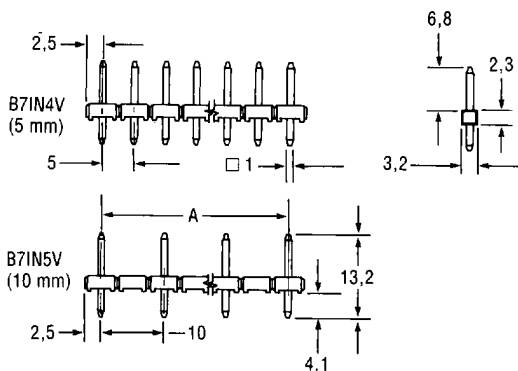
SERIES 71 Flush-mount Printed Circuit Board Headers (5mm and 10mm for Series 51 Plug-in Connector)



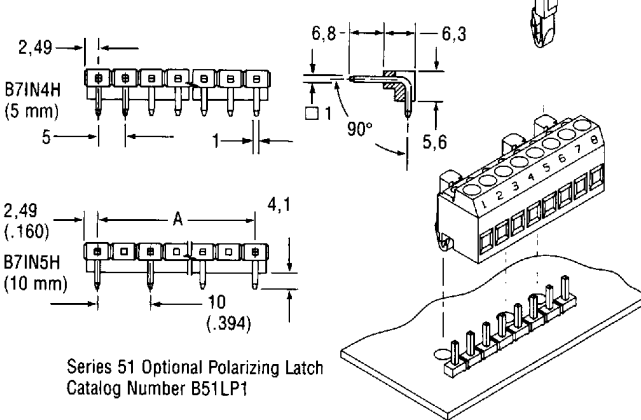
PITCH (center-to-center terminal spacing):
5mm and 10mm

DIMENSIONS

Vertical



Horizontal



Series 51 Optional Polarizing Latch
Catalog Number B51LP1

DESIGN FEATURES

- Flush mount 5mm and 10mm headers
- Mate with Series 51 flush mount connectors (5mm and 10mm)
- Allows for vertical or horizontal mounting of connectors
- Optional longer pins also available
- Header insulator resistant to buckling from fluid solder — UL 94 V-0 rated
- Header color coded "black" to distinguish from 5,08 and 10,16mm "brown" design
- 5mm version available from 2-24 pins — sizes up to 48 pins available on special request
- Gold and silver plated terminals available in addition to standard tin plating

TECHNICAL DATA

ELECTRICAL:

Maximum Current: 15A
Operating Voltage: 300V (5mm), 600V (10mm)

MATERIALS:

Housing Liquid crystal polymer
Color: Black
Flammability: UL 94 V-0

Pin Phosphor bronze, tin plated

MECHANICAL:

Pitch (pin spacing): 5mm and 10mm
Recommended PCB Hole Dia.: 1,7mm

ENVIRONMENTAL:

Operating Temperature Range:
-30°C to +120°C Gold and silver contact system
-30°C to +105°C Tin contact system

AGENCY APPROVALS:



ORDERING INFORMATION

| No. of Term. | Catalog No. 5mm Vertical | Catalog No. 5mm Horizontal | Catalog No. 10mm Vertical | Catalog No. 10mm Horizontal | No. of Term. | Catalog No. 5mm Vertical | Catalog No. 5mm Horizontal | Catalog No. 10mm Vertical | Catalog No. 10mm Horizontal |
|--------------|--------------------------|----------------------------|---------------------------|-----------------------------|--------------|--------------------------|----------------------------|---------------------------|-----------------------------|
| 2 | B71N4V02T | B71N4H02T | B71N5V02T | B71N5H02T | 17 | B71N4V17T | B71N4H17T | | |
| 3 | B71N4V03T | B71N4H03T | B71N5V03T | B71N5H03T | 18 | B71N4V18T | B71N4H18T | | |
| 4 | B71N4V04T | B71N4H04T | B71N5V04T | B71N5H04T | 19 | B71N4V19T | B71N4H19T | | |
| 5 | B71N4V05T | B71N4H05T | B71N5V05T | B71N5H05T | 20 | B71N4V20T | B71N4H20T | | |
| 6 | B71N4V06T | B71N4H06T | B71N5V06T | B71N5H06T | 21 | B71N4V21T | B71N4H21T | | |
| 7 | B71N4V07T | B71N4H07T | B71N5V07T | B71N5H07T | 22 | B71N4V22T | B71N4H22T | | |
| 8 | B71N4V08T | B71N4H08T | B71N5V08T | B71N5H08T | 23 | B71N4V23T | B71N4H23T | | |
| 9 | B71N4V09T | B71N4H09T | B71N5V09T | B71N5H09T | 24 | B71N4V24T | B71N4H24T | | |
| 10 | B71N4V10T | B71N4H10T | B71N5V10T | B71N5H10T | | | | | |
| 11 | B71N4V11T | B71N4H11T | B71N5V11T | B71N5H11T | | | | | |
| 12 | B71N4V12T | B71N4H12T | B71N5V12T | B71N5H12T | | | | | |
| 13 | B71N4V13T | B71N4H13T | | | | | | | |
| 14 | B71N4V14T | B71N4H14T | | | | | | | |
| 15 | B71N4V15T | B71N4H15T | | | | | | | |
| 16 | B71N4V16T | B71N4H16T | | | | | | | |