

**MICRO SWITCH**  
a Honeywell Division

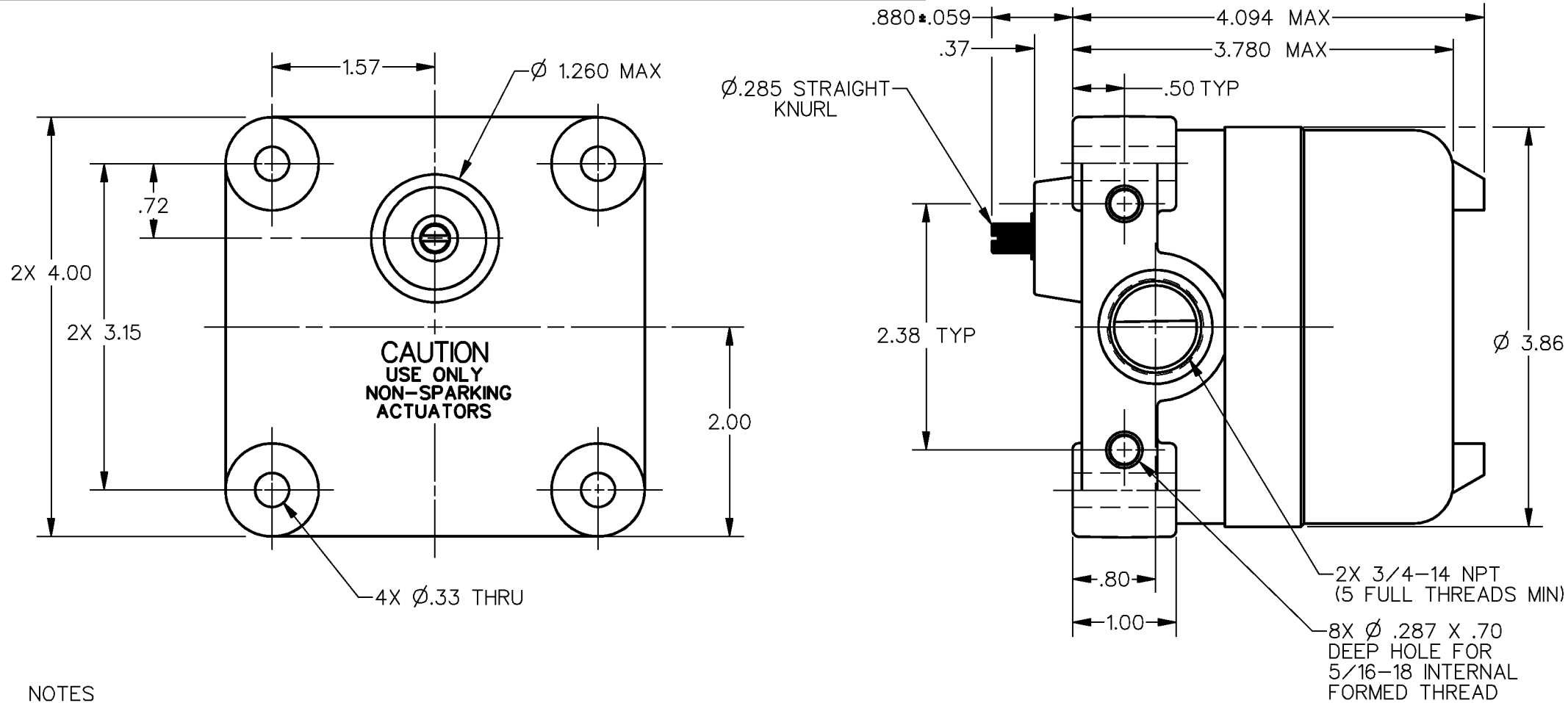
FED. MFG. CODE 91929

SWITCH - ENCLOSED

CATALOG LISTING  
**11CX 12CX**  
SERIES CHART 1

CONVERSION CHART

7,25	.285
7,29	.287
7,92	.312
8,5	.33
9,4	.37
12,7	.50
17,8	.70
18,3	.72
20,3	.80
22,3±1,5	.880±.050
25,4	1.00
32,00 MAX	1.260 MAX
40,0	1.57
50,8	2.00
60,4	2.38
80,0	3.15
96,00 MAX	3.780 MAX
98,0	3.86
101,6	4.00
104,00 MAX	4.094 MAX
1,25 Nm	.922 PF
0,113 Nm	.083 PF
1,13 Kg	2.49 LB



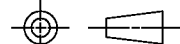
NOTES

- 1 - EXPLOSION PROOF-UNDERWRITERS LAB INC LISTING FOR HAZARDOUS LOCATIONS CLASS 1, GROUPS C AND D; CLASS 2, GROUPS E, F, AND G
- 2 - ALUMINIUM ENCLOSURE FINISHED WITH BLUE AND BLACK EPOXY PAINT
- 3 - 6-32 UNC X (.312) PAN HEAD TERMINAL SCREW AND LOCKWASHER (SEMS TERMI-LOX) (3 PER BASIC)
- 4 - CAMS MAY BE REPOSITIONED IN 7°20' INCREMENTS
- 5 - FOR USE IN TEMPERATURES UP TO 85°C
- 6 - SEE 7CX CHARTS 1 AND 2 (M DRAWING) FOR LEVER ACTUATORS

ANSI Y14.5M-1982 APPLIES

THIS DRAWING COVERS A PROPRIETARY ITEM AND IS THE PROPERTY OF MICRO SWITCH, A DIVISION OF HONEYWELL. THIS DRAWING IS NOT TO BE COPIED OR USED WITHOUT THE APPROVAL OF MICRO SWITCH

THIRD ANGLE PROJECTION



SCALE .75:1

DO NOT SCALE PRINT

UNLESS OTHERWISE SPECIFIED TOLERANCES ARE

ONE PLACE	(.0)	±.030
TWO PLACE	(.00)	±.015
THREE PLACE	(.000)	±.005
ANGLES		±

WEIGHT 2.49 LB APPROX

CHARACTERISTICS	ELECTRICAL DATA
OPERATING FORCE — — — .922 LB FT MAX	CONTACT ARRANGEMENT
RELEASE FORCE — — — .083 LB FT MIN	S P D T
PRETRAVEL — — — — — 15° MAX	(EACH BASIC)
DIFFERENTIAL TRAVEL — — — — 10° MAX	
OVERTRAVEL — — — — — 90° MIN	

CATALOG LISTING	DESCRIPTION	ELECTRICAL DATA
11CX1	1 BASIC; OPERATES CLOCKWISE & COUNTER CLOCKWISE	L96 15A 125, 250 OR 480 VAC 1/8HP 125 VAC, 1/4HP 250 VAC 1/2A 125 VDC, 1/4A 250 VDC 
11CX1C	1 BASIC; OPERATES CLOCKWISE & COUNTER CLOCKWISE	
11CX2	2 BASICS; EACH OPERATES CLOCKWISE & COUNTER CLOCKWISE	
1172CX-2	2 BASICS; EACH OPERATES CLOCKWISE & COUNTER CLOCKWISE	L22 1A 125 VAC 
12CX1	1 BASIC; OPERATES CLOCKWISE & COUNTER CLOCKWISE	L23 20A 125, 250 OR 480 VAC 10A 125 VAC "L" 1HP 125 VAC, 2HP 250 VAC 1/2A 125 VDC, 1/4A 250 VDC 
12CX2	2 BASICS; EACH OPERATES CLOCKWISE & COUNTER CLOCKWISE	
12CX5	2 BASICS; 1 OPERATES CLOCKWISE ONLY; 1 OPERATES COUNTER CLOCKWISE ONLY	

CATALOG LISTING  
**11CX 12CX**  
SERIES CHART 1  
PAGE 1 OF 1  
RELEASE NO. PR-6800-T REPLACES

ISSUE  
**M**  
13

REVISIONS	CHECK
A CO-73751 S A V 16 OCT 92	
B C080111 J A K 21 MAR 95	
C PR23547 J A S 6 AUG 98	
D C095297 G J W 7 JUL 99	

FORMTEK  
DRAWN  
S A V 16 OCT 92  
CHECK