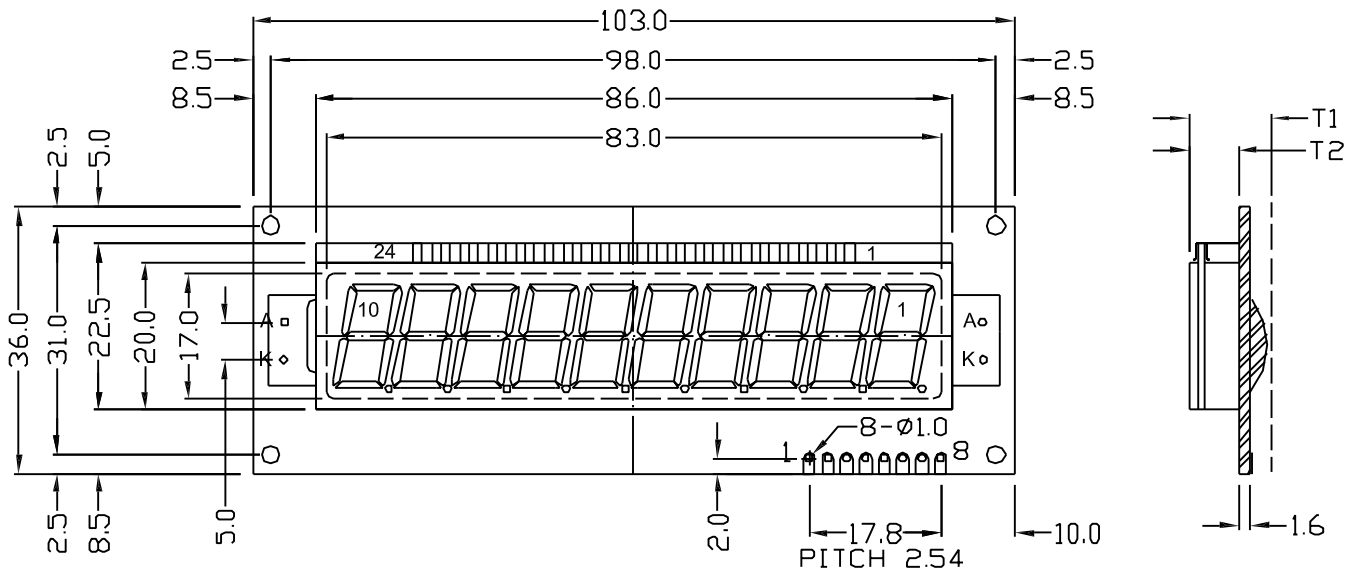
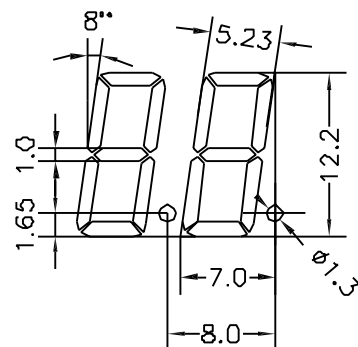
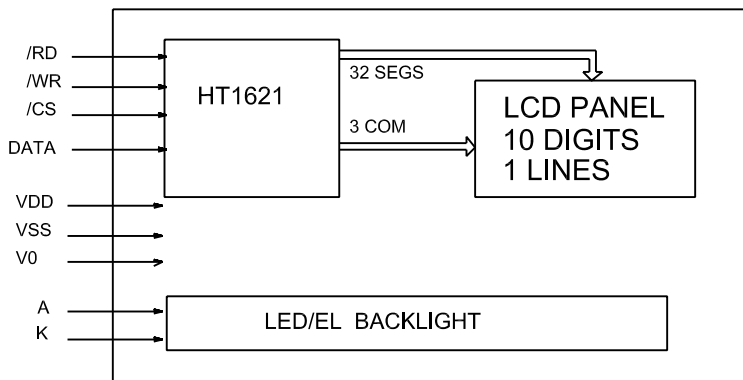


OD-M801



* FOR LED BACKLIGHT
T1=11.0MAX T2=7.0±0.3
* FOR EL OR NO BACKLIGHT
T1=6.5MAX T2=3.5±0.3



| ABSOLUTE MAXIMUM RATING | | | | |
|-------------------------|----------------|------|------|------|
| ITEM | SYMBOL | MIN | MAX | UNIT |
| POWER SUPPLY(LOGIC) | VDD-VSS | -0.3 | 7.0 | V |
| POWER SUPPLY(LCD DRV.) | VDD-V0 | -0.3 | 13.5 | V |
| INPUT VOLTAGE | V _i | -0.3 | VDD | V |

| ELECTRICAL CHARACTERISTICS(VDD=5.0±0.25V, 25°C) | | | | | |
|---|-------------------|------|-----|------|------|
| ITEM | SYMBOL | MIN | TYP | MAX | UNIT |
| VOLTAGE FOR LOGIC | VDD-VSS | 4.75 | 5.0 | 5.25 | V |
| SUPPLY CURRENT | I _{DD} | - | 1.3 | 2.2 | mA |
| VOLTAGE FOR LCD | VDD-V0 | 4.7 | 4.9 | 5.1 | V |
| INPUT VOLTAGE | H V _{iH} | 2.2 | - | VDD | V |
| | L V _{iL} | -0.3 | - | 0.6 | V |
| OUTPUT VOLTAGE | H V _{oH} | 2.4 | - | - | V |
| | L V _{oL} | - | - | 0.4 | V |

| MECHANICAL SPECIFICATIONS | | |
|---------------------------|------------------------------|------|
| ITEM | SPECIFICATION | UNIT |
| OVERALL SIZE | 103.0W x 36.0H x 11.0T(6.5T) | MM |
| VIEWING AREA | 83.0W x 17.0H | MM |
| DIGITS | 10 DIGITS x 1 LINES | |
| DIGIT SIZE | 7.0W x 12.2H | MM |
| CHARACTER PITCH | 8.0W x 12.2H | MM |

| PINS ASSIGNMENT | | |
|-----------------|--------|--------------------------|
| NO. | SYMBOL | DESCRIPTION |
| 1 | CS | CHIP SELECTION |
| 2 | /RD | READ FROM HT1621 |
| 3 | /WR | WRITE TO HT1621 |
| 4 | DATA | SERIAL DATA INPUT/OUTPUT |
| 5 | VSS | POWER SUPPLY, GROUND |
| 6 | VDD | POWER SUPPLY, 5.0V |
| 7 | IRQ | WDT OVERFLOW FLAG |
| 8 | BZ | TONE FREQUENCY OUTPUT |

| OPTIONS | |
|---------|---|
| 1. | LCD TYPE: TN |
| 2. | BACKLIGHT: WITHOUT BACKLIGHT; LED; |
| 3. | COLOR OF BACKLIGHT: Y/G; |
| 4. | TEMPERATURE RANGE: NORMAL(0--50C) EXTENDED(-20--70C) |
| 5. | POWER SUPPLY: 5.0V; 3.0V |
| 6. | VIEWING ANGLE: 6H; 12H |