

A

B

C

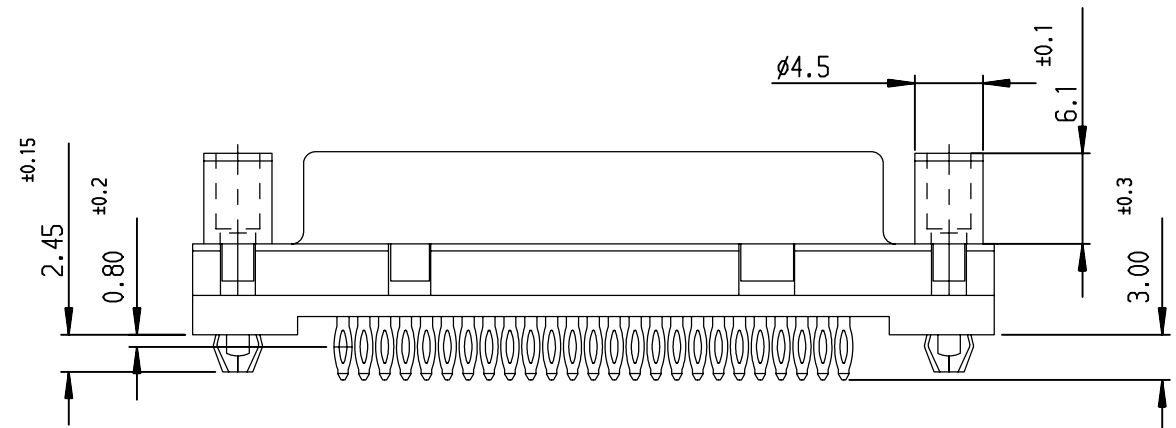
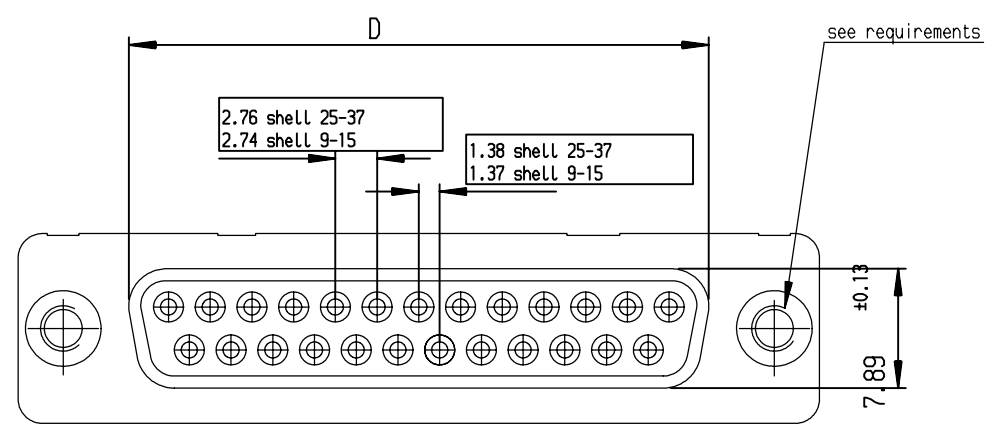
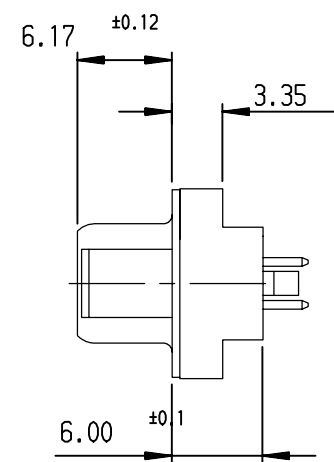
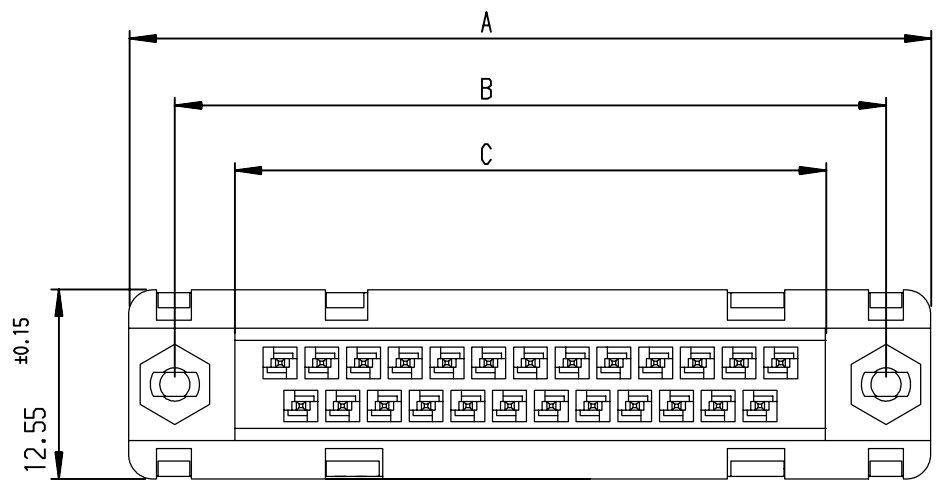
D

A

B

C

D

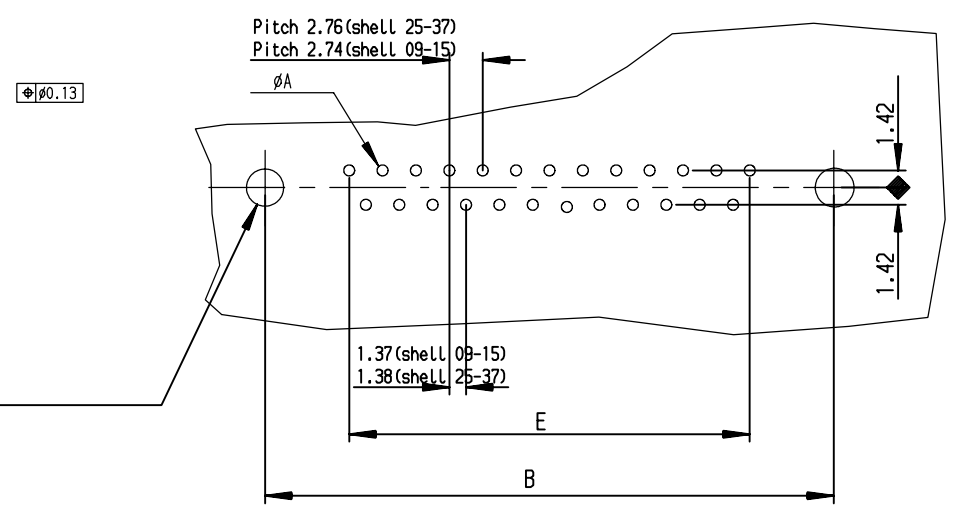


SHELL	A± 0.38	B± 0.12	C± 0.10	D± 0.25	E± 0.07	PART NUMBER	PART NUMBER
09	30.81	24.99	16.96	16.21	10.96	D09S91C4GV1E	D09S91C6GV1E
15	39.14	33.32	25.18	24.54	19.18	D15S91C4GV1E	D15S91C6GV1E
25	53.03	47.04	39.12	38.25	33.12	D25S91C4GV1E	D25S91C6GV1E
37	69.32	63.50	55.68	54.71	49.68	D37S91C4GV1E	D37S91C6GV1E
						gold flash	0.76µ gold

REQUIREMENTS

Technical characteristics:
 Shell: steel tin plated
 Insulators: self-extinguishing thermoplastic, UL class 94V0
 Contacts: phosphor bronze, gold (for thickness see table)
 over 2µ mini nickel on active area and flash to 1.5µ maxi SnPb over
 1µ mini nickel on termination
 Cycles: 200 min for plating 4
 :500 min for plating 6
 Gauge retention force: 0.20 N mini
Accessories:
 female screwlock with harpoon: tin plated, UNC 4.40
 retention against torque 0.70N.m minimum
Electrical characteristics:
 max. current rating: 5A
 Test voltage: 1000V
 Rated voltage: 300V
 Contact resistance: <10mΩ
 Shell resistance: <5mΩ
 Insulation resistance: >5000MΩ
Climatic characteristics:
 Operating temperature range: -55°C +125°C
Dimensions:
 in accordance with MIL-C-24308B and DIN41652

PC board drilling dimensions (after plating)
 (thickness ≤ 3.20±0.30mm)



PCB HOLE DEFINITION		
	ØA	ØB
DRILLED HOLE	Ø1.15±0.03	Ø3.22±0.03
COPPER PLATING	25µ mini	
TIN-LEAD PLATING	5µ mini	
FINISHED HOLE AFTER REFLOW	Ø0.94-1.09	Ø3.02-3.20

Part number SEE TABLE

www.fciconnect.com

surface ISO 1302 ✓ tolerance std ISO 406 ISO 1101
 TOLERANCES UNLESS OTHERWISE SPECIFIED

projection mm
 size A3 Scale 2.0
 ECN LS06-0140
 Spec ref -

Dr	JARRY	2000/04/14
Eng	PESSON	2000/04/14
Chr	LEGARE	2000/04/14
Appr	LEGARE	2000/04/14

Product family D-SUB

title FEMALE CONNECTOR DELTA D EUROPE
 straight press-fit
 catalog no -

dwg no C01-8646-0704
 Rev. B

CUSTOMER sheet 1 of 1



Copyright FCI. FCI