



(0,635mm) .025"

MICD, SQCD, 6QCD SERIES



HIGH SPEED COAX CABLE ASSEMBLIES

SPECIFICATIONS

For complete specifications see www.samtec.com?MICD, see www.samtec.com?SQCD or see www.samtec.com?6QCD

Cable: 38 AWG coax micro ribbon
Signal Routing: 50Ω Single-Ended
Overall Length: (152mm) 6" to (1m) 40" standard
Cable Flexing Life: >40,000 cycles
Cable Bending Radius: <2.5mm
Plating: Au over 50μm (1,27μm) Ni
Current Rating: 300 millamp max
Propagation Delay: 4.5 nsec/meter
Operating Temp Range: -40°C to +105°C
RoHS Compliant: Yes



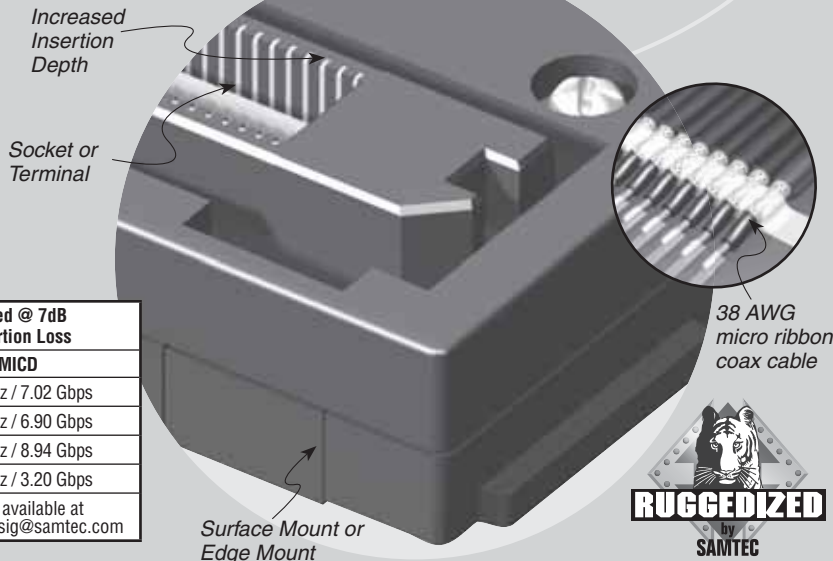
MICD Mates with: MIS, MIT

SQCD Mates with: QTS, QSS

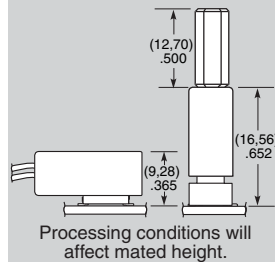
6QCD Mates with: QMS, QFS

Cable Length	Rated @ 7dB Insertion Loss
	MICD
6" (152,4mm)	3.51 GHz / 7.02 Gbps
12" (304,8mm)	3.45 GHz / 6.90 Gbps
19.68" (0,5m)	4.47 GHz / 8.94 Gbps
39.37" (1m)	1.60 GHz / 3.20 Gbps

Performance and complete test data available at www.samtec.com?MICD or contact sig@samtec.com



APPLICATIONS



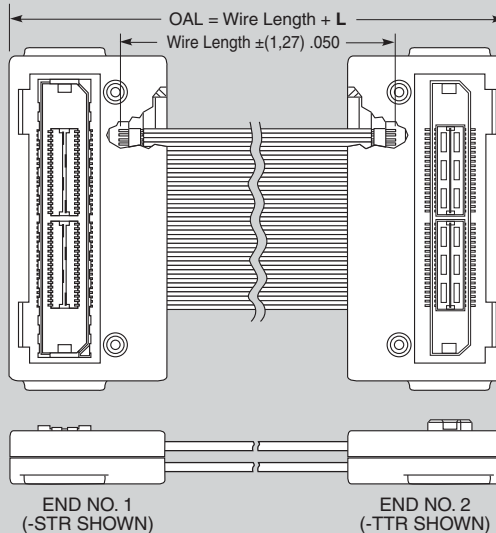
Note: Cable lengths longer than 40.00" (1 meter) are not supported with S.I. test data.

Note: Verify part number and correct wiring scheme with Samtec's Interactive Cable Builder at www.samtec.com/cable_builder/pitch.aspx

Note: This Series is non-standard, non-returnable.

TYPE	NO. POSITIONS PER ROW	WIRE LENGTH
MICD = Mates with MIS/MIT	-019, -038, -057, -076 (MICD)	- "XX.XX" = Wire Length in Inches (95,3mm) 03.75" Minimum.
SQCD = Mates with QTS/QSS	-025, -050, -075, -100 (SQCD)	
6QCD = Mates with QMS/QFS	-026, -052, -078, -104 (6QCD)	

END TO END	L		
	MICD	SQCD	6QCD
Surface Mount to Surface Mount	(27,98) 1.101	(24,13) .950	(28,47) 1.121
Surface Mount to Edge Mount (Terminal)	(24,15) .951	(21,21) .835	(27,09) 1.067
Surface Mount to Edge Mount (Socket)	(23,51) .926	(20,48) .806	(25,70) 1.012
Edge Mount (Terminal) to Edge Mount (Terminal)	(20,32) .800	(18,29) .720	N/A
Edge Mount (Terminal) to Edge Mount (Socket)	(19,69) .775	(17,55) .691	N/A
Edge Mount (Socket) to Edge Mount (Socket)	(19,05) .750	(16,81) .662	N/A



Due to technical progress, all designs, specifications and components are subject to change without notice.

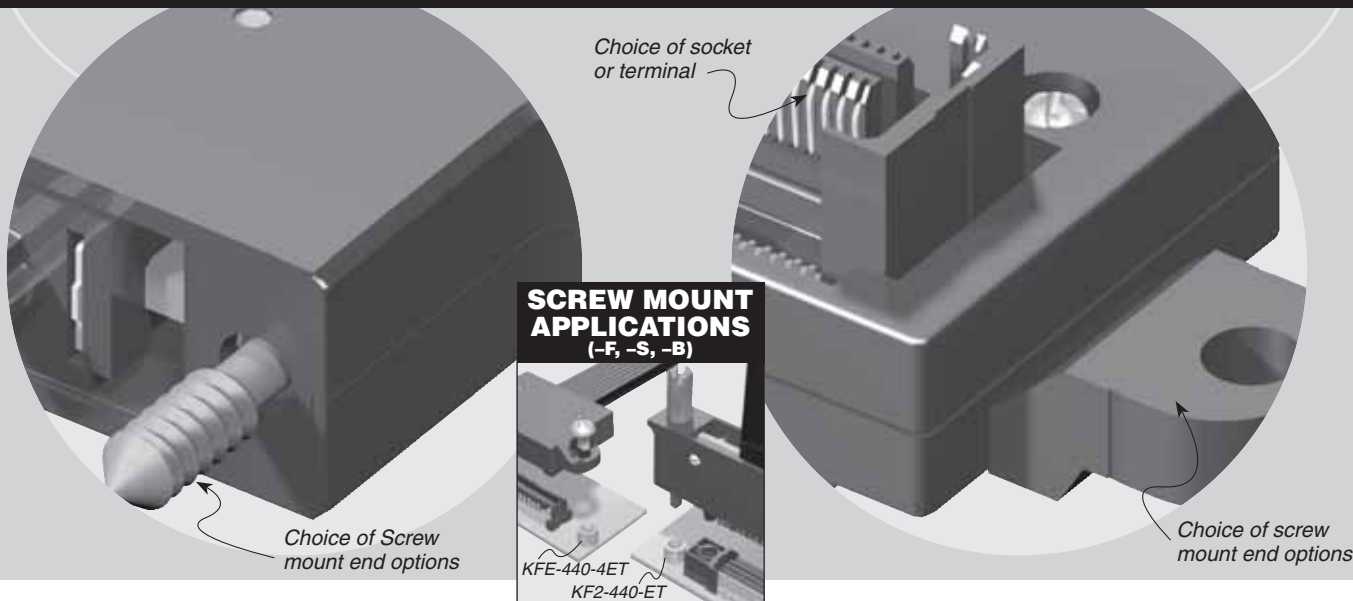
WWW.SAMTEC.COM



6QCD-026-06.00-TEU-STR-1-F

SQCD-025-06.00-TED-STR-1

6QCD-026-06.00-STR-TTL-3-F



END NO. 1

END NO. 2

WIRING OPTION

SCREW DOWN END OPTION

Specify END ASSEMBLIES from chart

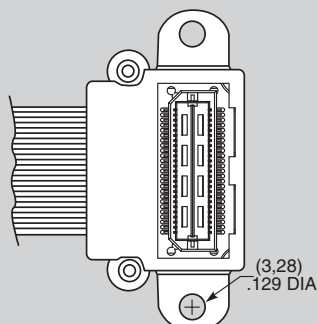
Leave blank for no Screw Option

END	SURFACE MOUNT	
TTR		Terminal, Top, Notch Right
TTL		Terminal, Top, Notch Left
TBR		Terminal, Bottom, Notch Right
TBL		Terminal, Bottom, Notch Left
STR		Socket, Top, Notch Right
STL		Socket, Top, Notch Left
SBR		Socket, Bottom, Notch Right
SBL		Socket, Bottom, Notch Left

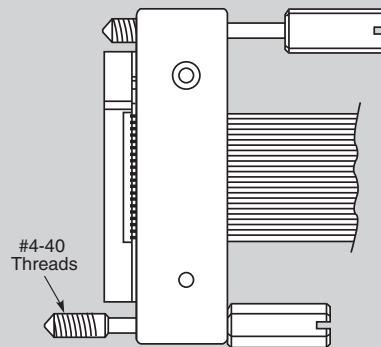
END	EDGE MOUNT	
TEU		Terminal, Edge, Notch Up
TED		Terminal, Edge, Notch Down
SEU		Socket, Edge, Notch Up
SED		Socket, Edge, Notch Down

- 1 = Pin 1 to Pin 1
- 2 = Pin 1 to Pin 2
- 3 = Pin 1 to Second Last Pin
- 4 = Pin 1 to Last Pin

- F = End No. 1
- S = End No. 2
- B = Both Ends



SURFACE MOUNT (-XTX & -XBX) SCREW DOWN OPTIONS



EDGE MOUNT (-XEX) SCREW DOWN OPTIONS

Due to technical progress, all designs, specifications and components are subject to change without notice.

WWW.SAMTEC.COM

SAMTEC USA • Tel: 1-800-SAMTEC-9 or 812-944-6733 SAMTEC SILICON VALLEY • Tel: 408-395-5900 SAMTEC SOUTHERN CALIFORNIA • Tel: 1-800-726-8329
 SAMTEC AMERICA LATINA COMERCIO EXTERIOR LTDA • Tel: (+55 31) 3786 3227 SAMTEC UNITED KINGDOM • Tel: 44 01236 739292 SAMTEC GERMANY • Tel: +49 (0) 89 / 89460-0
 SAMTEC FRANCE • Tel: 33 01 60 95 06 60 SAMTEC ITALY • Tel: 39 039 8890337 SAMTEC NORDIC/BALTIC • Tel: +46-84477280 SAMTEC BENELUX • Tel: 44 01236 739292 SAMTEC ISRAEL • Tel: 972-3-7526600
 SAMTEC INDIA • Tel: +91-80-3272 1612 SAMTEC ASIA PACIFIC • Tel: 65 6745-5955 SAMTEC JAPAN • Tel: 045-475-1385 SAMTEC CHINA • Tel: 86-21-61103766 SAMTEC TAIWAN • Tel: 886-2-2735-6109
 SAMTEC HONG KONG • Tel: 852-26904858 SAMTEC KOREA • Tel: 82-31-717-5685 SAMTEC ANZ • Tel: 613 9512 7747 SAMTEC SOUTH AFRICA • Tel: 27 11 452 8112