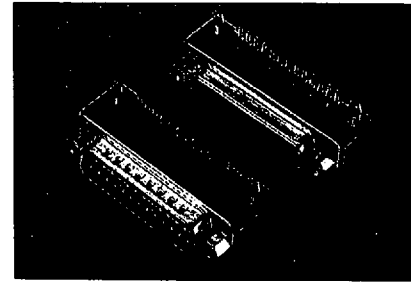


D-SUB CONNECTOR RIGHT ANGLE TYPE (.370")



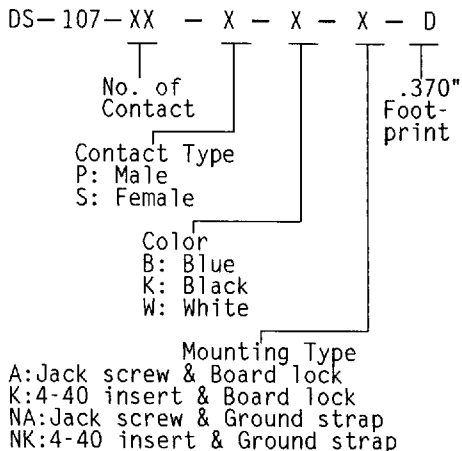
SPECIFICATION

- * Current Rating:
5 A
- * Withstanding Voltage:
1000 VAC (1 min.)
- * Insulation Resistance:
1000 MΩ min.
- * Contact Resistance:
30 mΩ max.
- * Operating Temperature:
-40°C to +85°C

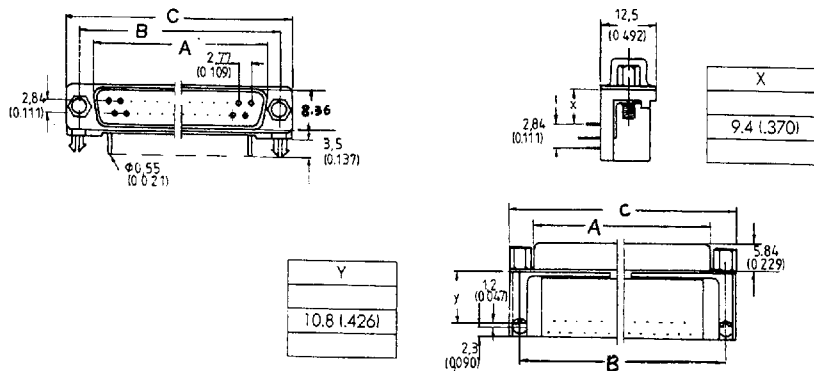
MATERIAL

- * Contact: Brass, Gold Plated
- * Insulator: PBT & 30% G. F.
- * Shell: Stell, Tin Plated

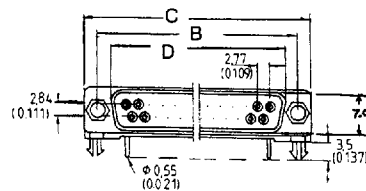
ORDER INFORMATION



MALE



FEMALE



| POS | A | B | C | D |
|-----|-------|-------|-------|-------|
| 9 | 16.92 | 24.99 | 30.81 | 16.33 |
| 15 | 25.25 | 33.32 | 39.14 | 24.66 |
| 25 | 38.96 | 47.04 | 53.04 | 38.38 |
| 37 | 55.42 | 63.50 | 69.32 | 54.84 |

Specifications are subject to change without notice