

I. GENERAL DESCRIPTION

This is a new version of Call Waiting service decoder on the telephone. Call Waiting service works by alerting a customer engaged in a telephone call to a new incoming call. This way the customer can still receive important calls while engaged in a current call. The Call Waiting decoder can detect dual tone (2130Hz and 2750Hz) alert signal and generate a valid signal on the data pins for micro controller.

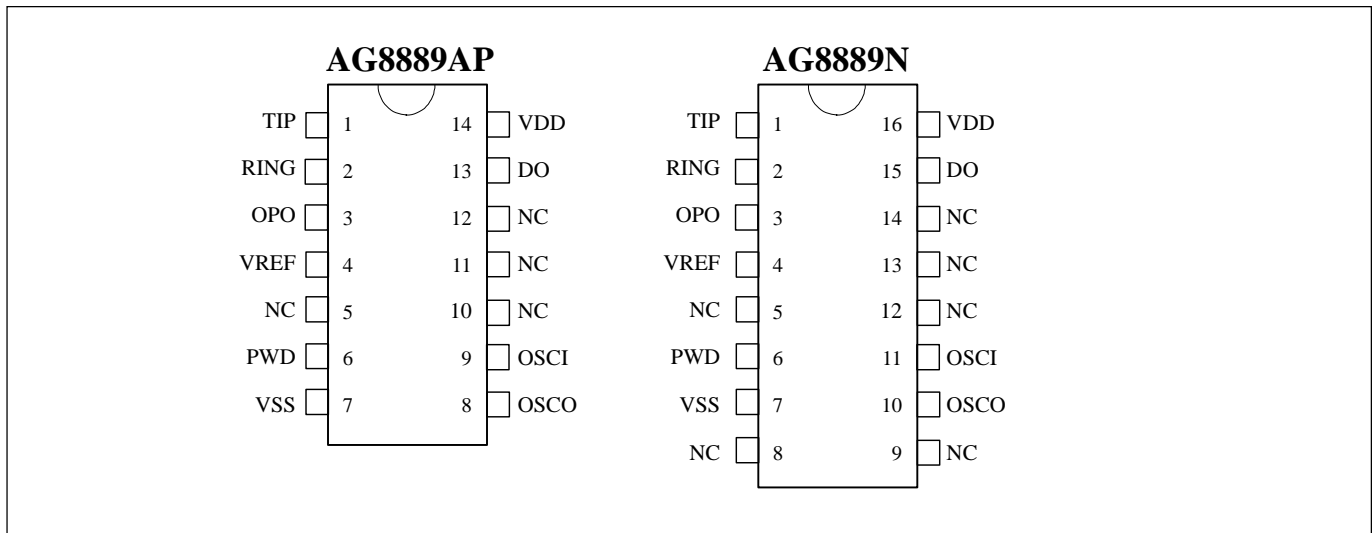
II. FEATURES

- Compatible with Bellcore special report SR-TSV-002476
- 3.6V ~ 6.0V supply voltage
- Call-Waiting (2130Hz plus 2750Hz) Alert Signal Detector
- Good talkdown and talkoff performance
- Sensitivity compensated by adjusting input OP gain
- Package series --- 14-pin DIP or 16-pin SOP (150 mil)
AG8889AP for 14-pin DIP
AG8889N for 16-pin SOP (150 mil)

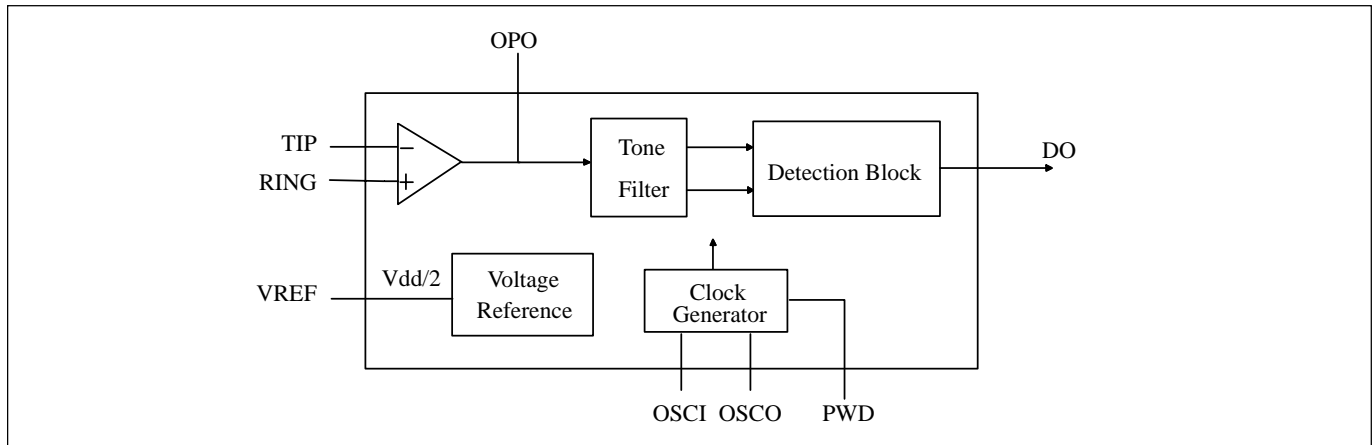
III. APPLICATION

- Feature phones
- Cordless phones
- Adjunct unit (stand alone)

IV. PIN CONFIGURATION



V. FUNCTIONAL BLOCK DIAGRAM



VI. PIN DESCRIPTIONS

| Pin | I/O | Description |
|------|-----|---|
| TIP | I | Tip in should be connected with twisted pair |
| RING | I | Ring in should be connected with twisted pair |
| OPO | O | Output of OP Amp |
| VREF | | Reference voltage Vref = 1/2 Vdd |
| PWD | I | This pin is normal low enabling chip on normal operation and ready to detect CAS tone signals. This active high input sets the chip into power down mode and disable oscillator to save power. |
| OSCI | I | 3.58MHz oscillator in |
| OSCO | O | 3.58MHz oscillator out |
| DO | O | DO : used as output, this pin determines whether DO signal is valid or not. High is valid. Normal low. |
| VDD | | Power |
| GND | | Ground |
| NC | | Non connected |

VII. FUNCTIONAL DESCRIPTIONS

Call Waiting service works by alerting a customer engaged in a telephone call to a new incoming call. This way the customer can still receive important calls while engaged in a current call. The CALL WAITING DECODER can detect CAS(Call-Waiting Alerting Signal 2130Hz plus 2750Hz) and generate a valid signal on the data pin.

The call waiting decoder is designed to support the Caller Number Deliver feature, which is offered by regional Bell Operating Companies. The call waiting decoder has three blocks, including differential amplifier, tone filter detection block. In a typical application, this IC receives Tip and Ring signals from twisted pairs. The signals as inputs of differential amplifier, and the differential amplifier sends input signal to a band pass tone filter. Once the signal is filtered, the digital detection block decodes the information. The output data made available at DO pin.

This IC is used for detecting CAS signals. Once the signal is detected, the detection indication is shown on the data output DO pin. The DO pin is normal low. When this IC detects 2130Hz and 2750Hz frequency at the same time, then DO pin goes to high.

DC CHARACTERISTIC

VDD=5V, VSS=0V, Ta=25°C, fOSC=3.58MHz

| Sym. | Description | Condition | Min. | Typ. | Max. | Unit |
|------|---------------------------|-----------|------|------|------|------|
| VDD | operating supply voltage | | 3.6 | | 6 | V |
| IDD | operating supply current | | | 3.3 | 5 | mA |
| VIL | low level input voltage | | | | 1.5 | V |
| VIH | high level input voltage | | 3.5 | | | V |
| VOL | low level output voltage | load=1mA | | 0.4 | | V |
| VOH | high level output voltage | load=1mA | | 4.6 | | V |

Note: 1.both tones in the composite signal have equal amplitude.
 2.tone pair is deviated by 0.5%.
 3.addes a 0.1uf capacitor between Power and Ground.

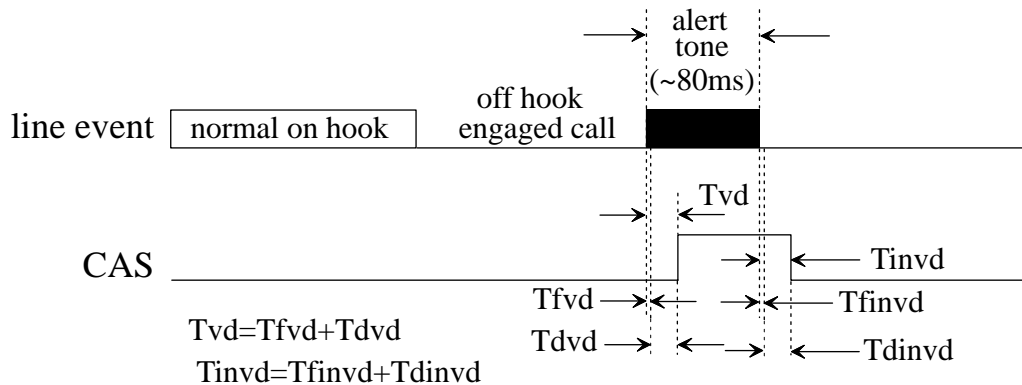
AC ELECTRICAL CHARACTERISTIC

(VDD=+5V,Ta=+25°C)

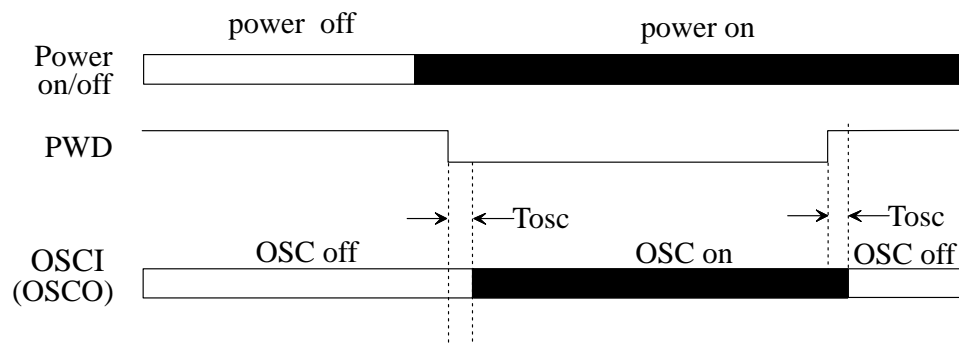
| CHARACTERISTIC | Min. | Typ. | Max. | Unit |
|---|------|------|------|------|
| Input sensitivity TIP and RING pins ,Vdd=+5V, Input G=1 | | -38 | | dBm |
| Input frequency tolerance for 2130Hz | | ±1.2 | | % |
| Input frequency tolerance for 2750Hz | | ±1.2 | | % |

WAVE FORM TIMING

DO timing:



OSC timing:

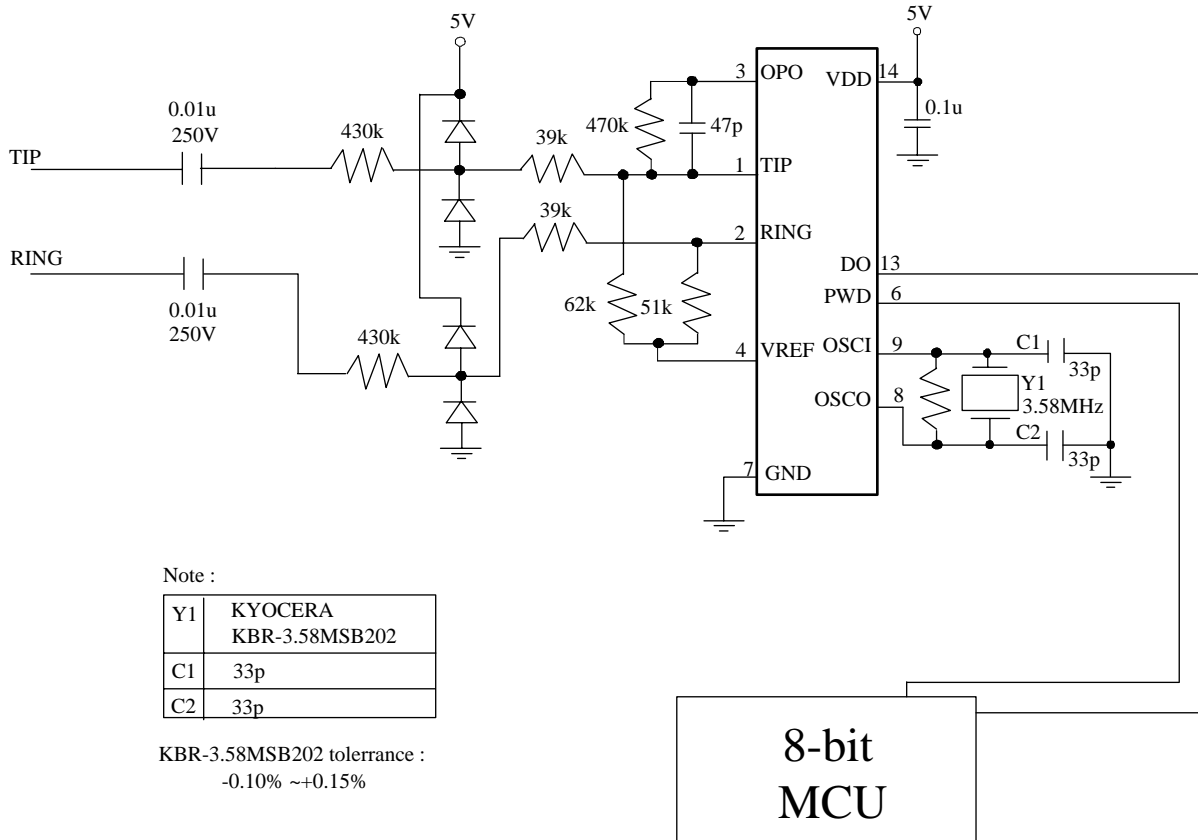


| Sym. | Description | Min. | Typ. | Max. | Unit |
|------------|--|------|------|------|------|
| Tfvd | filter output signal valid delay | | 6 | | ms |
| Tfinvd | filter output signal invalid delay | | 6 | | ms |
| Tdvd | digital delay of valid signal | | 36 | | ms |
| Tdinvd | digital delay of invalid signal | | 20 | | ms |
| Tvd | total delay of valid signal | | 42 | | ms |
| Tinvd | total delay of invalid signal | | 26 | | ms |
| alert tone | input alert tone length (2130 ,2750 Hz @ -20dBm) | | 80 | | ms |
| Tosc | Oscillator enable delay time | | | 10 | ms |

Note: detected alert tone length shown above is assumed that no speech signals input.
test under alert tone signal = -22dBm (600Ω)

APPLICATION CIRCUIT 1

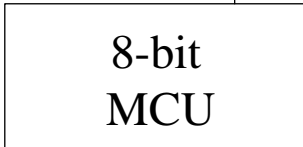
When PWD pin (pin 6) is controlled by MCU or external hook detect circuit, the users can use the following application. (pin6 is connected to control pin of MCU or hook detect output)



Note :

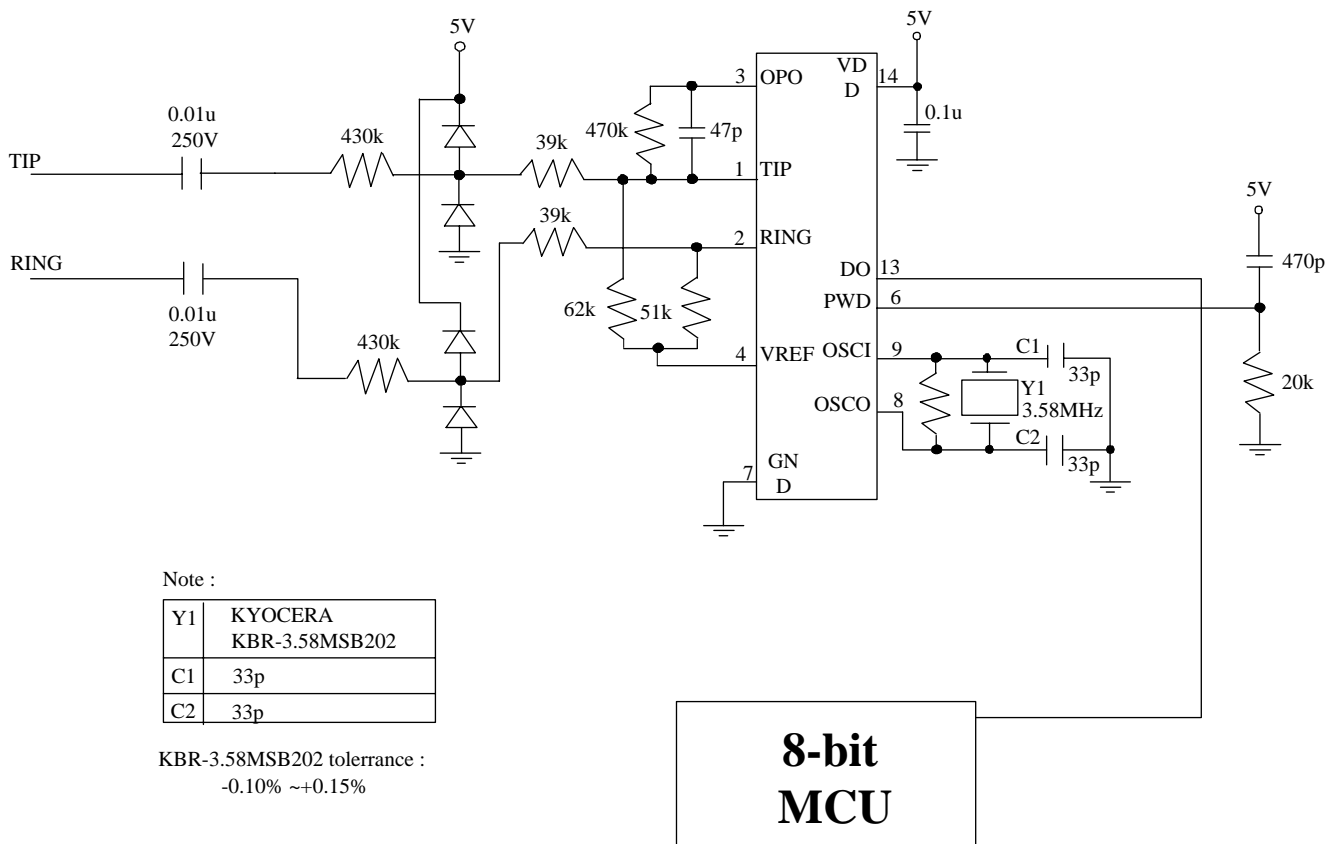
| | |
|----|---------------------------|
| Y1 | KYOCERA KBR-3.58MSB202 |
| C1 | 33p |
| C2 | 33p |

KBR-3.58MSB202 tolerance :
-0.10% ~+0.15%



APPLICATION CIRCUIT 2

In some application, the call waiting decoder is always powered on, the PWD pin (pin 6) can not be directly connected to the ground, the users have to use the following application. (pin6 is connected with a capacitor to VDD and connected with a resistor to the ground).



Note :

| | |
|----|---------------------------|
| Y1 | KYOCERA KBR-3.58MSB202 |
| C1 | 33p |
| C2 | 33p |

KBR-3.58MSB202 tolerance :
-0.10% ~+0.15%

**8-bit
MCU**

APPLICATION NOTE

1. VDD, GND

To reduce noise effects, separate the analog and digital systems close to the device. For both the digital and analog VDD pins, use a ceramic capacitor of about 0.1 μ F set as close as possible to the pin to bypass to the respective GND's.

2. PWD pin

By connecting PWD pin to GND, normal mode is obtained. In the normal mode, the oscillator is activated then ready to decode CAS signal and the chip consumes operating current. By connecting PWD pin to VDD, the chip is on power down mode and the chip consumes just stand-by current.

3. OPO pin

This pin is the gain adjustment of internal OP Amp.

4. XIN, XOUT pins

If the resonator is used, two capacitors about 33pF and 1M Ω resistor have to be connected for frequency accuracy.