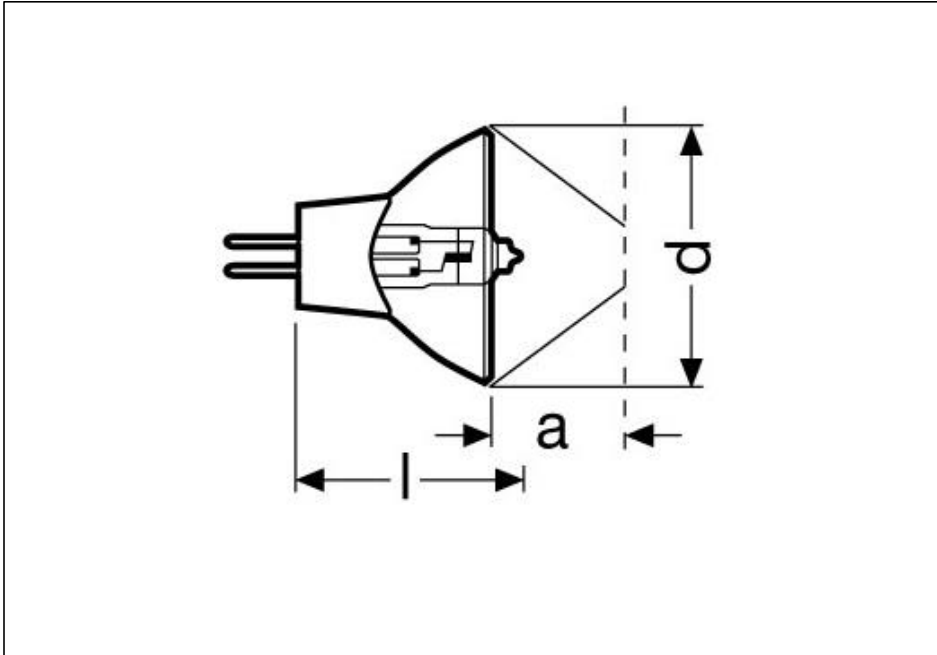


Product Information Bulletin

FLT

Low Voltage Tungsten Halogen MR11 Rim Mount Lamp



FLT

(NAED 54440)

Low Voltage Tungsten Halogen MR11 Rim Mount Lamp

- T2.5 clear quartz glass halogen capsule
- Long service life (500 hrs)
- Dichroic coated
 - High expansion reflector
 - Uniform reflected image for accurate working distance

Technical Data

Lamp / order reference (Product ordering number)	FLT (54440)	
Electrical data:		
Rated lamp wattage (power)	25	W
Rated lamp voltage	13.8	V
Photometric data:		
Luminous flux	Depends on application	
Color temperature	3,200	K
Geometrical data:		
Length (l)	27.5	mm
Working distance (a)	187.3	mm
Diameter (d)	35	mm
Other data:		
Average service life	500	hrs
Base	GZ4	
Bulb	MR11 using T2.5/capsule	
Operating limits:		
max. bulb temperature	1,000	°C
min. bulb temperature	250	°C
max. seal temperature	350	°C
Operating position	any	

Application Information

Applications

- Video camera
- Projector (overhead / slide)
- Microscope
- Microfilm
- Fiber-optics

WARNING

The lamp emits ultraviolet (uv) radiation and operates at high internal pressure.

Before use read the complete warning accompanying the product.

Disposal

When disposing of spent lamps, always consult federal, state, local and provincial hazardous waste disposal rules and regulations to ensure proper disposal.

OSRAM

Ordering Information

Lamp Description	NAED Code	Standard Case Quantity
FLT	54440	24/case

For Orders and
General Information:
OSRAM SYLVANIA
National Customer
Support Center
18725 N. Union Street
Westfield, IN 46074

Photo-Optic
Phone: 1-888-677-2627
Phone: 1-888-OSRAMCS
Fax: 1-800-762-7192

Special Markets
Phone: 1-800-762-7191
Fax: 1-800-762-7192

Industrial and Commercial
Phone: 1-800-255-5042
Fax: 1-800-255-5043

In Canada
OSRAM SYLVANIA LTD.
Headquarters
2001 Drew Road
Mississauga, ON L5S 1S4

Industrial and Commercial
Phone: 1-800-263-2852
Fax: 1-800-667-6772

Special Markets
Phone: 1-800-265-2852
Fax: 1-800-667-6772

Visit our website: www.sylvania.com

OSRAM
SYLVANIA