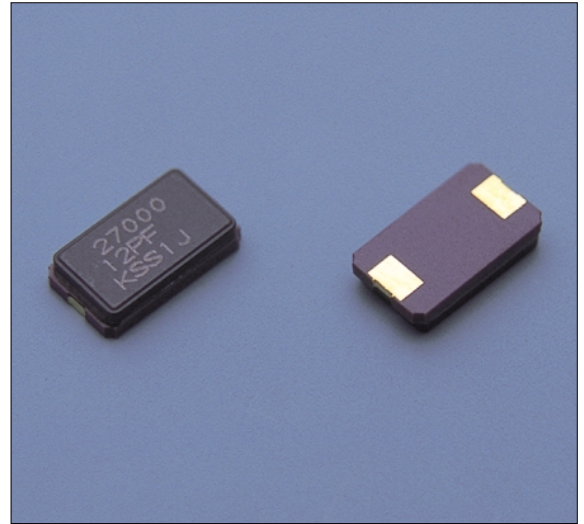


CX-8045G (CX-11F)

SMD

■Features

- Compact, thin. (8.0×4.5×1.8mm)
- For self-loading.
- Ceramic package leadless type.
- Emboss taping.
- Reflow soldering.
- The oscillation circuit can obtain sufficient output at the inverter stage.



■Specifications

| Type | | CX-8045G |
|------------------------------|----------------------------|---|
| Frequency Range | | 8~70MHz |
| Standard Frequency | | Table 1 |
| Overtone Order | | 8~47MHz : Fundamental 40~70MHz : 3rd. O.T. |
| Operating Temp. Range | | -10~+70°C |
| Storage Temp. Range | | -40~+85°C |
| Frequency Tolerance | at 25°C | ±15, ±30, ±50×10 ⁻⁶ |
| | Over The Oper. Temp. Range | ±15, ±30, ±50×10 ⁻⁶ (referred to 25°C) |
| Load Capacitance | | 12pF |
| Equivalent Series Resistance | | 8~10MHz (Fund.) 200Ω MAX. 10~12MHz (Fund.) 150Ω MAX. 12~47MHz (Fund.) 50Ω MAX. 40~70MHz (3rd.) 150Ω MAX. |
| Shunt Capacitance | | 7pF MAX. |
| Drive Level | | 8~16MHz:0.5mW MAX. 16~24MHz:0.3mW MAX. 24~47MHz:0.1mW MAX. 3rd. O.T. :0.3mW MAX. |
| Shock | | Three drops onto a hard wood board from the height of 20cm |
| Vibration | | 10~55Hz, amplitude 1.5mm, each to 3 directions, 2 hours each |

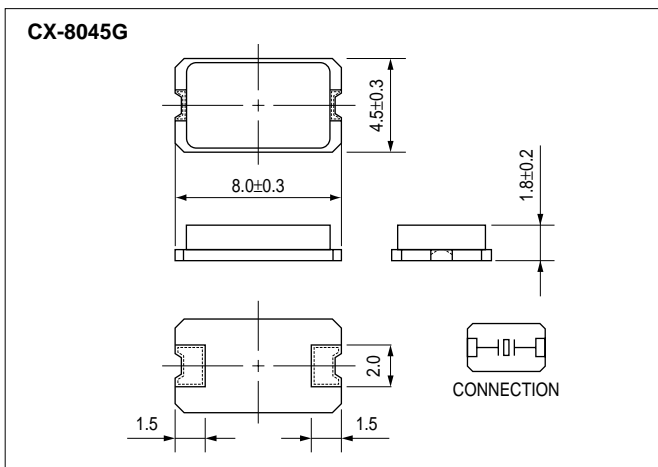
*Taping item packaging : one unit 1,000pcs & 3,000pcs

■Table 1
Standard Frequencies

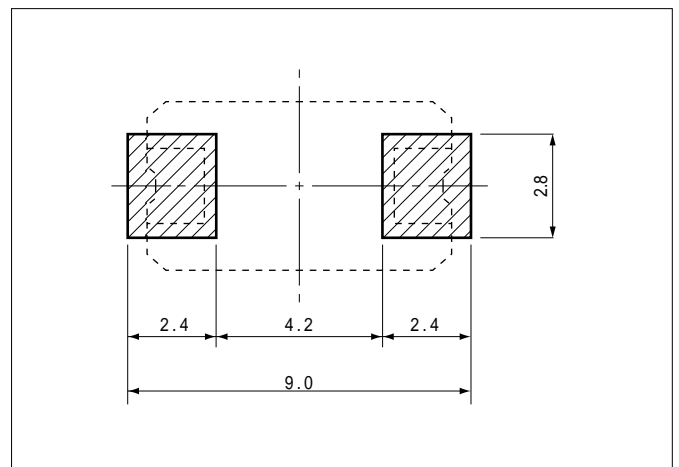
| Standard Frequency (MHz) | |
|--------------------------|----------|
| 14.31818 | 27.000 |
| 16.000 | 28.63636 |
| 16.384 | 30.000 |
| 16.9344 | 32.000 |
| 19.6608 | 33.8688 |
| 20.000 | 36.000 |
| 21.47727 | 40.000 |
| 24.000 | 45.1584 |
| 24.576 | |

* Please inquire about frequencies other than the above.

■Outline



■Land Pattern(reference)



Dimensions(mm)