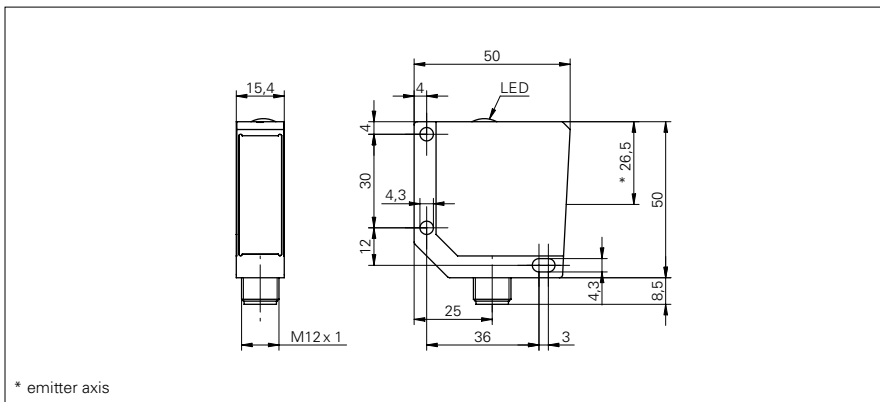


Retro-reflective sensors

FPDM 16 (standard version)

sample drawing



general data

type	retro-reflective sensor
light source	pulsed red LED
actual range S_b	7,3 m
nominal range S_n	8,5 m
polarization filter	yes
alignment / soiled lens indicator	flashing light indicator
light indicator	LED yellow
wave length	660 nm
suppression of reciprocal influence	yes

electrical data

response time / release time	< 1 ms
voltage supply range +Vs	10 ... 30 VDC
current consumption max. (no load)	36 mA
current consumption typ.	26 mA
voltage drop V_d	< 1,8 VDC
output function	light / dark operate
output current	< 200 mA
short circuit protection	yes
reverse polarity protection	yes

mechanical data

width / diameter	15,4 mm
height / length	50 mm
depth	50 mm
type	rectangular
housing material	die-cast zinc
front (optics)	PMMA

ambient conditions

operating temperature	-25 ... +65 °C
protection class	IP 67

sample picture



Retro-reflective sensors**FPDM 16 (standard version)**

order reference	connection types	output circuit	sensitivity adjustment
FPDM 16N5101	cable 4 pin, 2 m	NPN	no
FPDM 16N5101/S14	connector M12 4 pin	NPN	no
FPDM 16P5101	cable 4 pin, 2 m	PNP	no
FPDM 16P5101/S14	connector M12 4 pin	PNP	no
FPDM 16P5105	cable 4 pin, 2 m	PNP	potentiometer, 10 turn
FPDM 16P5105/S14	connector M12 4 pin	PNP	potentiometer, 10 turn